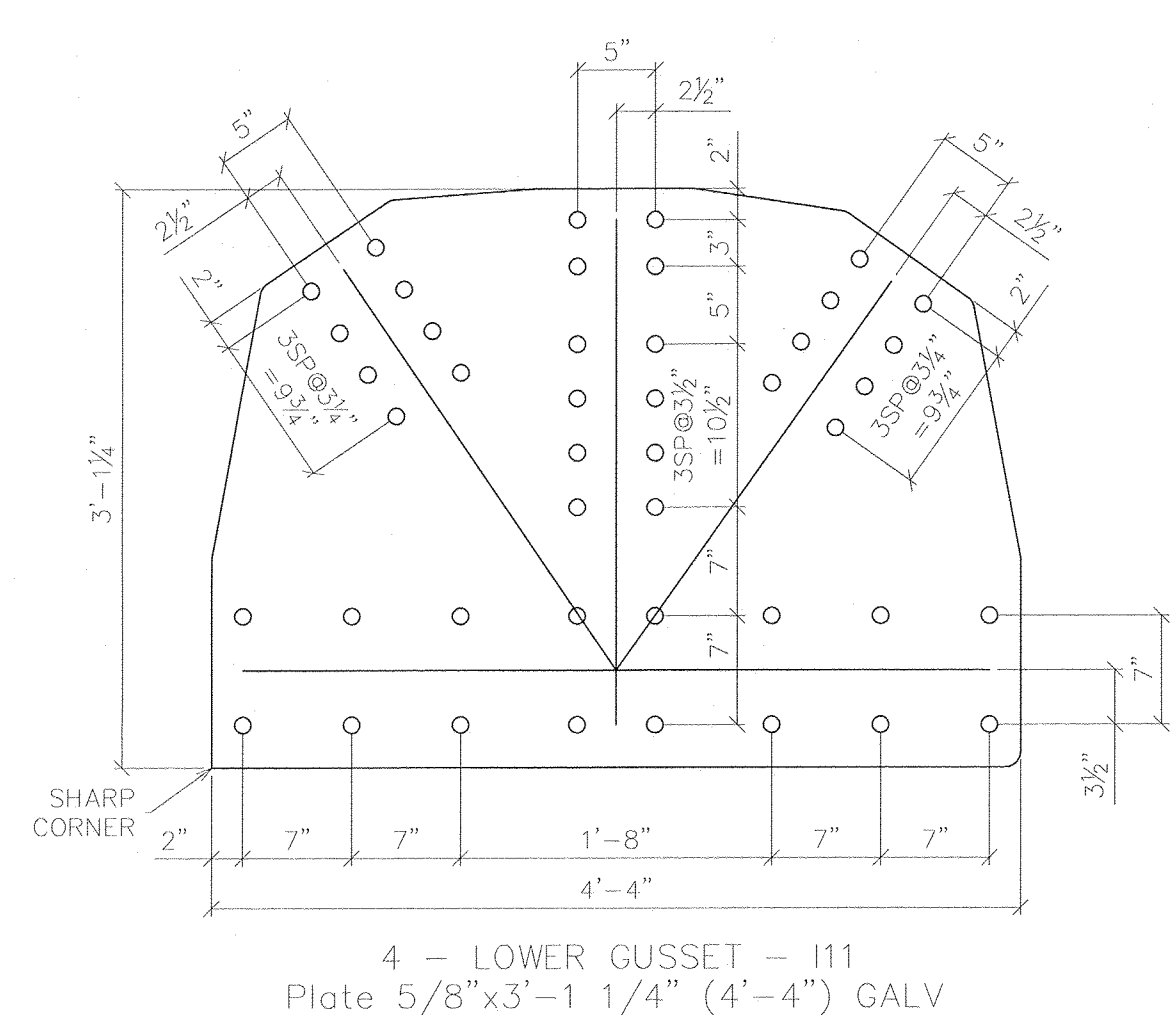
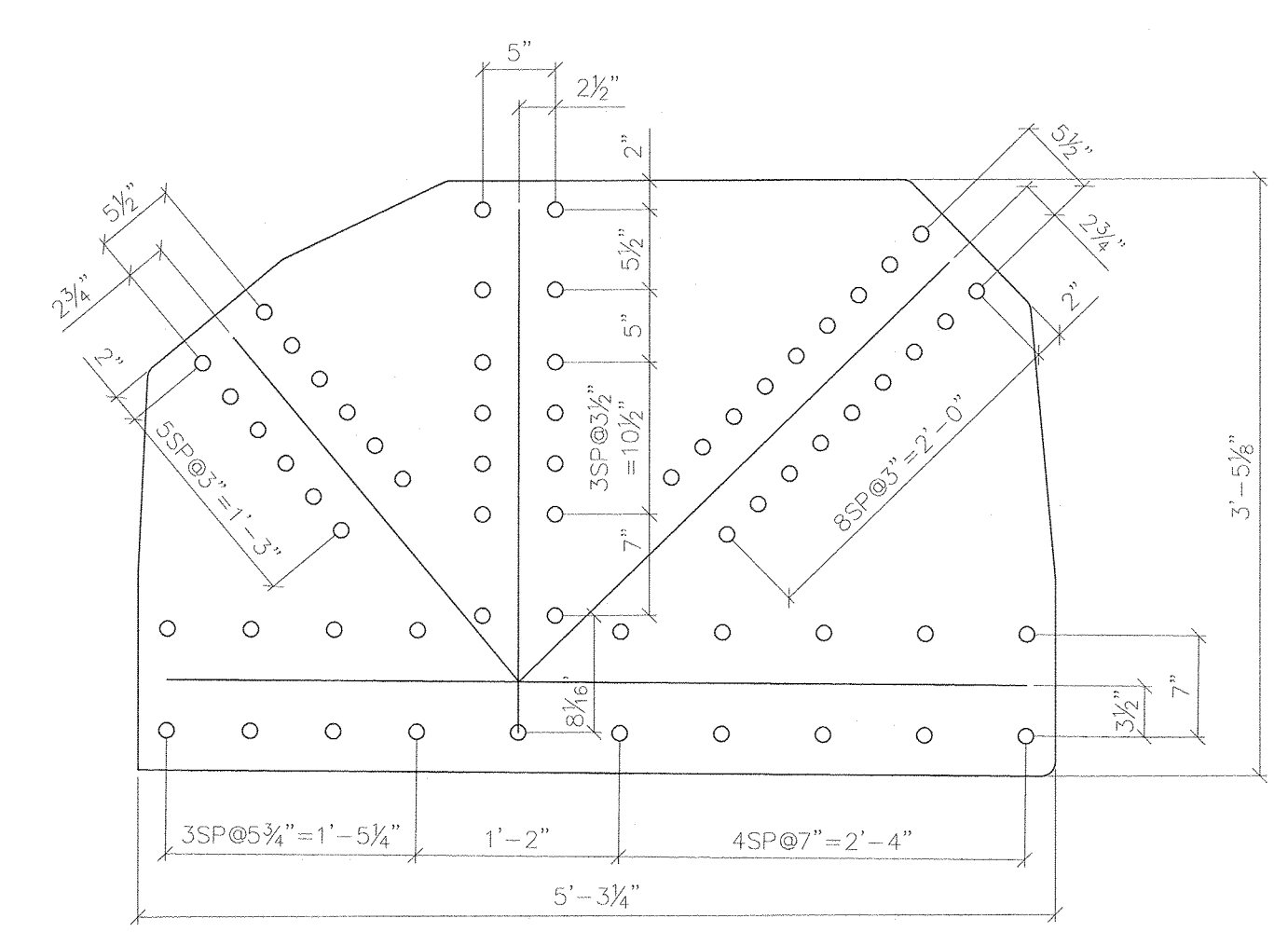


DATE PLOTTED June 24, 2013

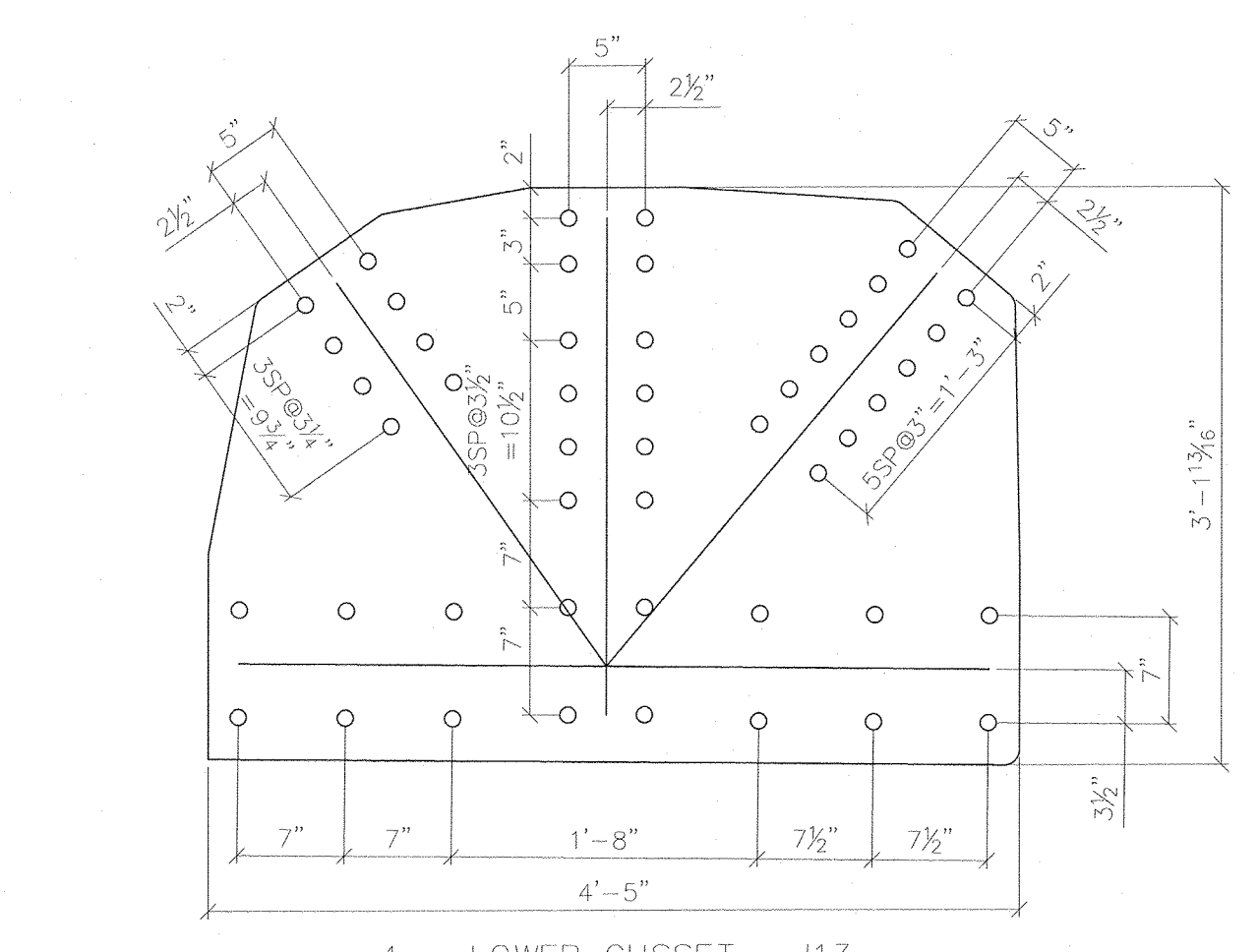
S:\JOB\SERV\MONT151622-04\Tues-1385 x 35-Warren.VT over Mad River\Drawings\1622 AB-BUILT 6-24-13.dwg



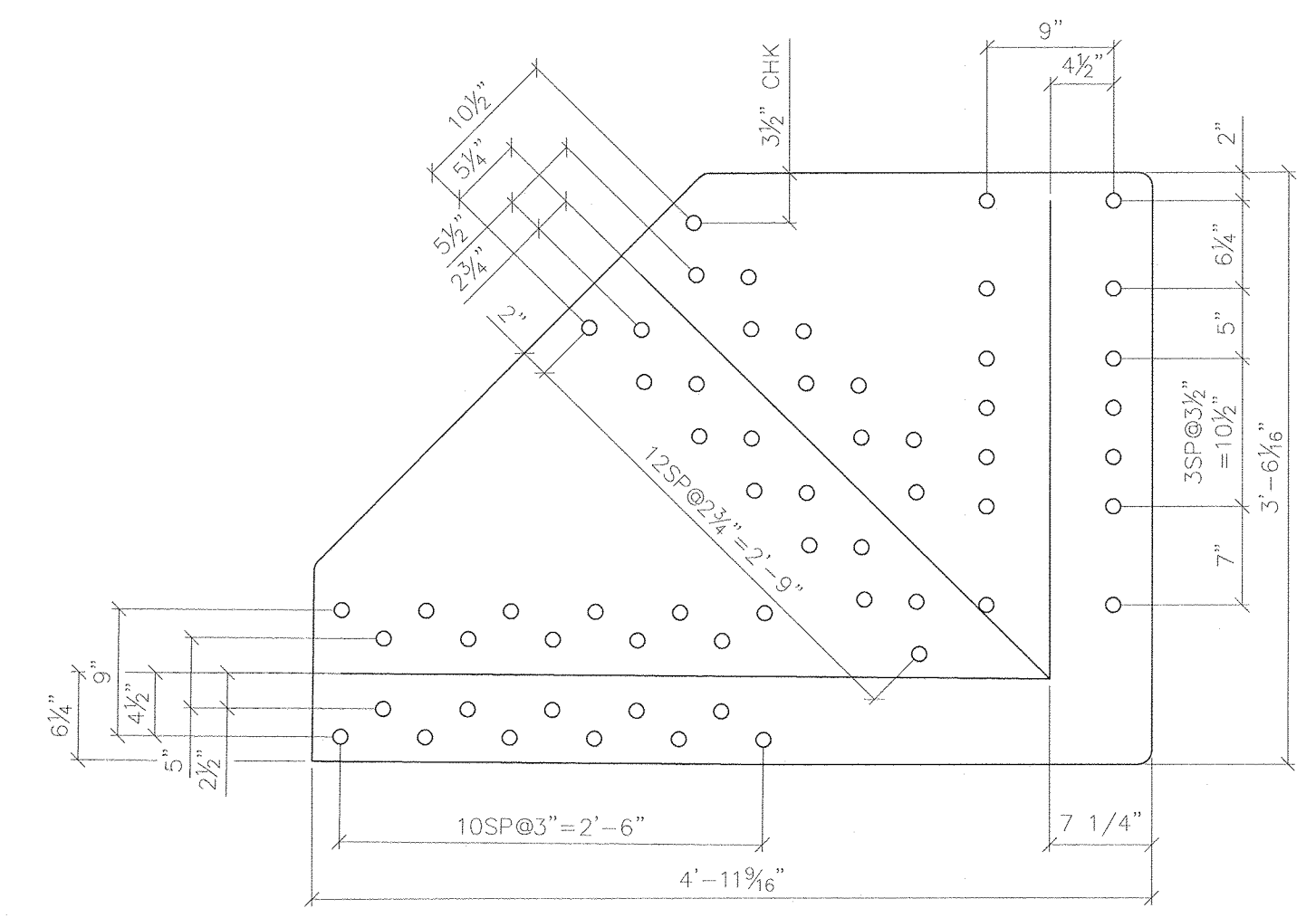
4 - LOWER GUSSET - I11
Plate 5/8"x3'-1 1/4" (4'-4") GALV



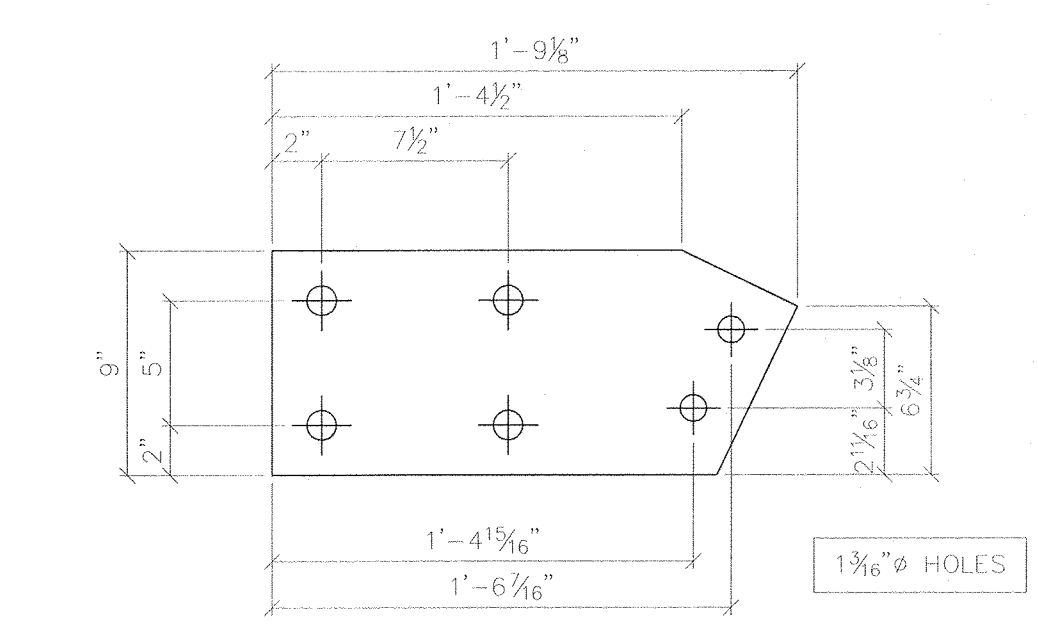
4 - LOWER GUSSET - I15
Plate 5/8"x3'-5 1/16" (5'-3 3/8") GALV



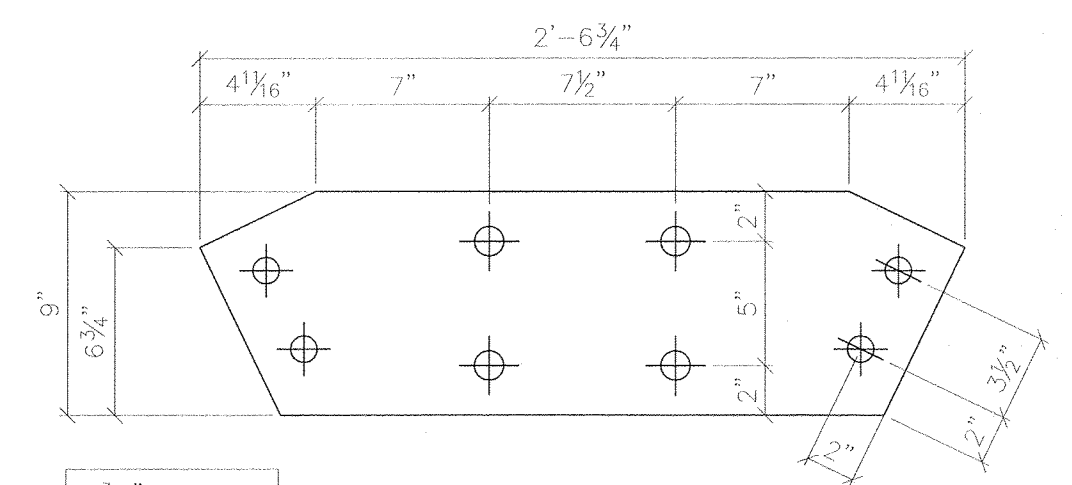
4 - LOWER GUSSET - I13
Plate 5/8"x3'-5 1/8" (4'-5 1/8") GALV



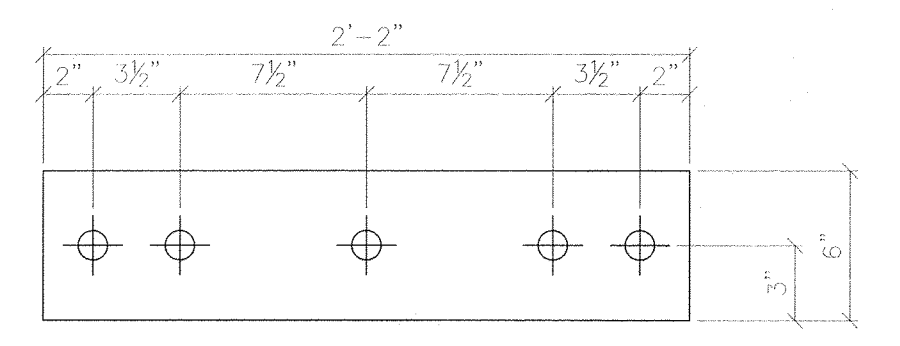
4 - LOWER GUSSET - I17
Plate 5/8"x4'-11 9/16" (3'-6 1/16") GALV



4 - LATERAL PLATE - Ip1
Plate 3/8"x9" (1'-9 1/8") GALV



10 - LATERAL PLATE - Ip2
Plate 3/8"x9" (2'-6 3/4") GALV



6 - LATERAL PLATE - Ip3
Plate 3/8"x6" (2'-2") GALV

1 1/8" HOLES UNO

RECORD DWGS
AS FABRICATED
6/24/13

SYMBOLS & ABBREVIATIONS

ES: EACH SIDE	NS: NEAR SIDE
EQ: EQUAL	FS: FAR SIDE
C: CENTERLINE	WP: WORK POINT
CHK: CHECK	GA: GAUGE
O/C: OUT TO OUT	ID: INSIDE DIAMETER
C/C: CENTER TO CENTER	OD: OUTSIDE DIAMETER
F/F: FACE TO FACE	BRG: BEARING
DIA: DIAMETER	TYP: TYPICAL
R: RADIUS	UNO: UNLESS NOTED OTHERWISE
	ADJ: ADJUSTMENT
	T&B: TOP & BOTTOM

DIST. BY:
FAB. BY:



SUBMITTAL LOG	DATE	NO.	DATE	REVISIONS:	BY:
INITIAL SUBMITTAL	12/18/12		5/15/13	FLOOR BEAM END PLATES WAS 1" THK	TLB
RESUBMITTAL NO. 2	2/5/13		5/15/13	ADDED 2" DIA. RAT HOLES IN I11 & I19	TLB
CUSTOMER APPROVAL	2/13/13		5/15/13	CHANGED WELD WAS 3/8" ALL AROUND	TLB
SHOP REVIEW	-		5/15/13	CHANGED BOLT PATTERN	TLB
PRE FAB MTG	-		5/15/13	WAS 2" EDGE DISTANCE	TLB
APPROVED FOR FAB	2/28/13		6/3/13	DIMENSIONAL ERRORS	TLB

00000001.jpg

TOWN OF WARREN, VT
COUNTY OF WASHINGTON
BRIDGE NO.173 REPLACEMENT
WARREN, VT

ITEM NO.:
PROJECT NO.: BRF 013-4 (14)
REFERENCE NO.:
BRIDGE NO.: 173
STRUCTURAL FILE NO.:

DESIGN: SAF	DRAW: TLB	REVIEW: SAF/RLI	CHECK: CJG	SHEET
SHOP DETAILS / PLATES				10c
USB JOB# 51622				58