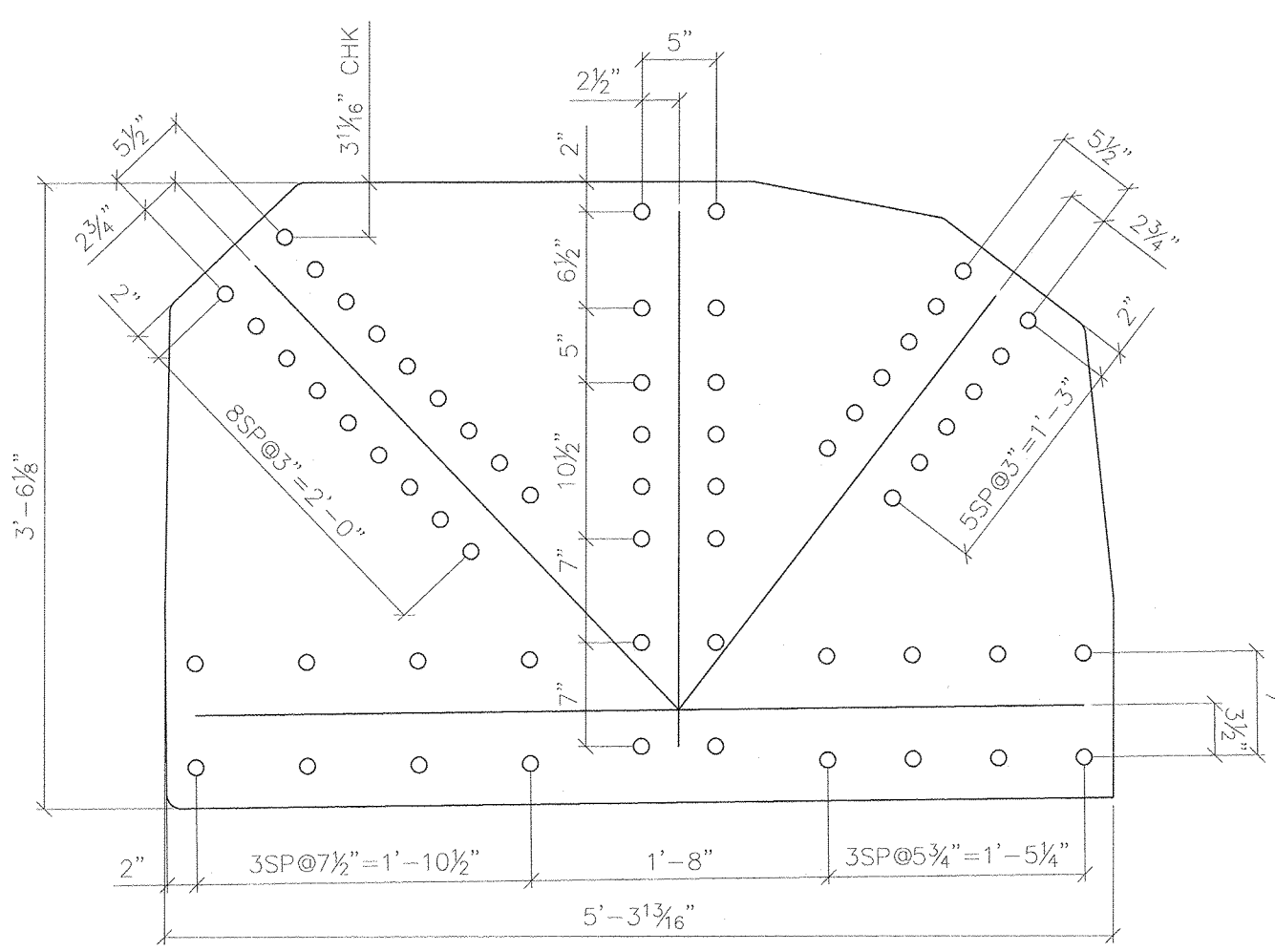
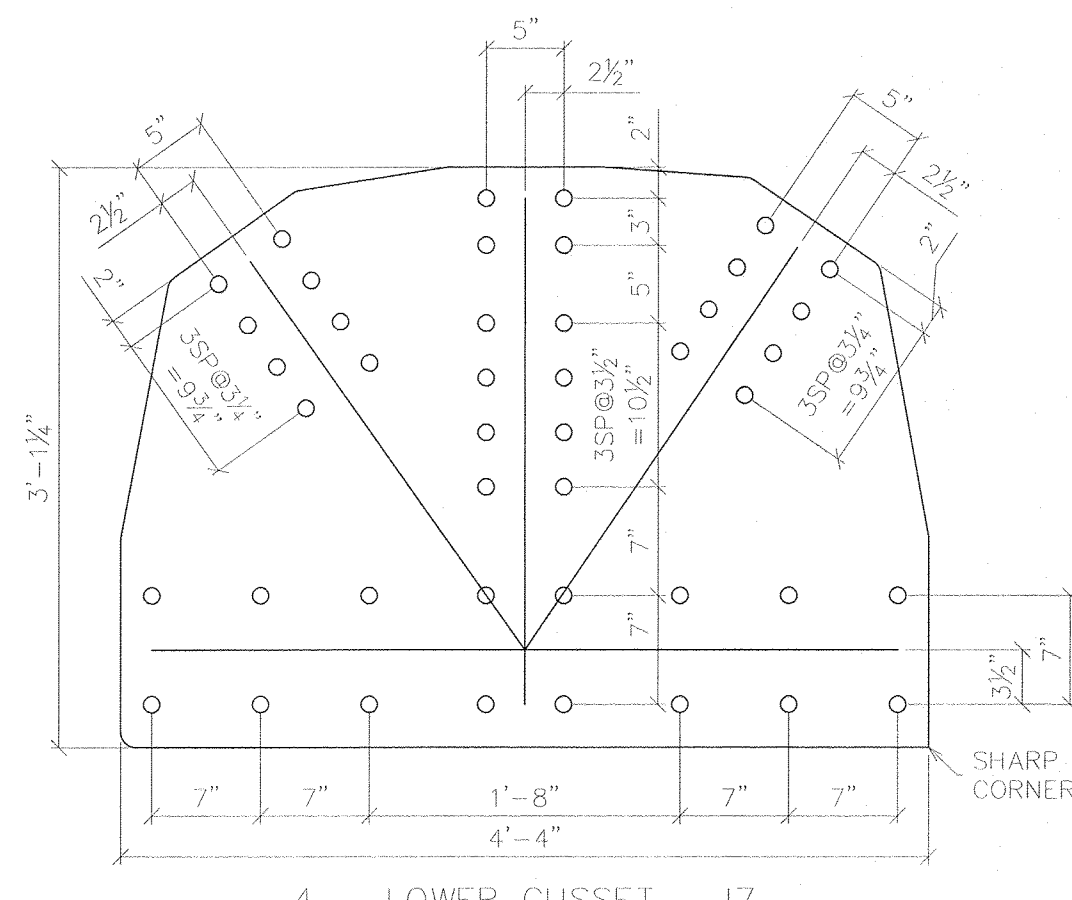


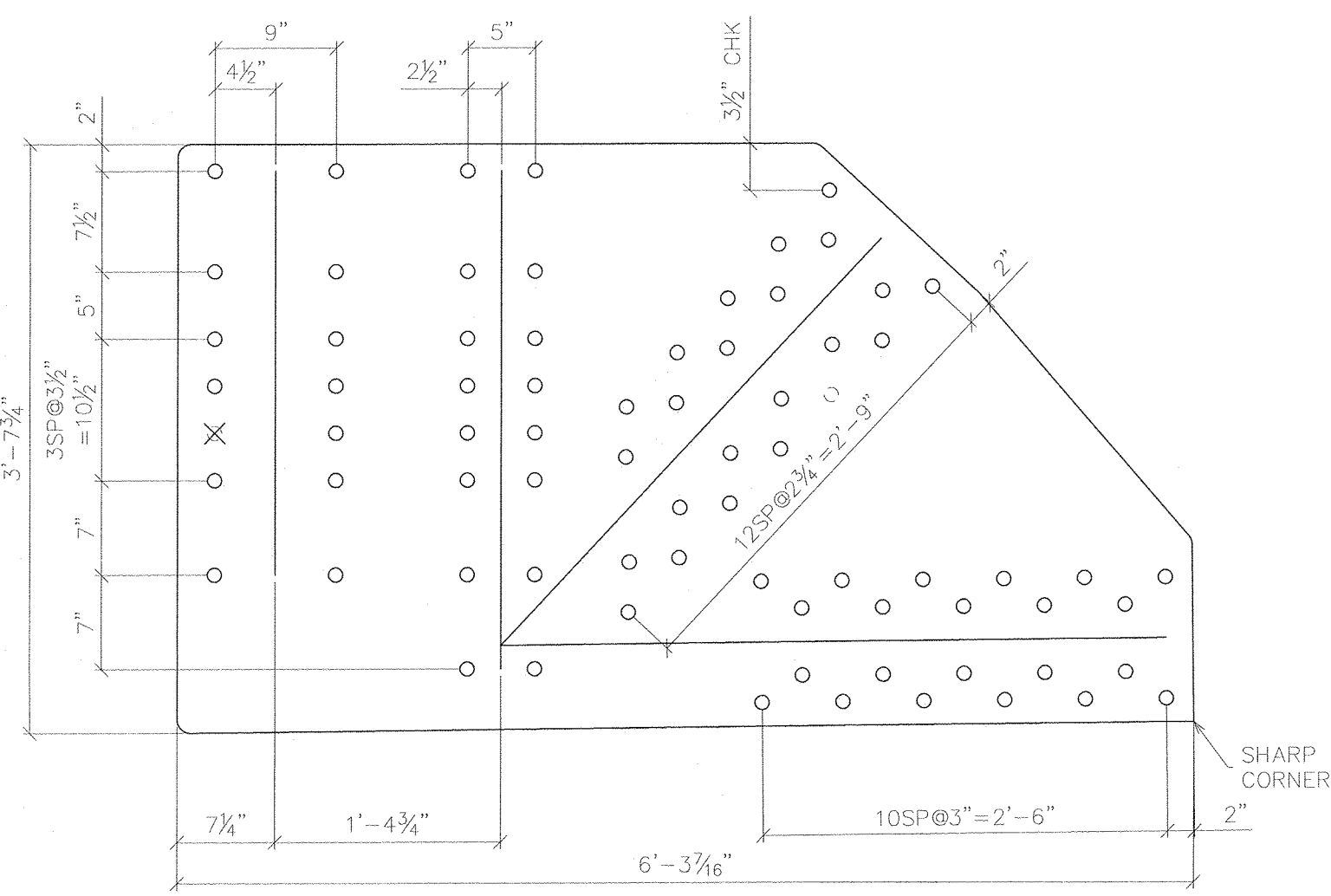
2 - LOWER GUSSET - 11c
Plate 5/8"x6'-6 5/8" (4'-11 3/8") GALV
← ROLLING DIRECTION →



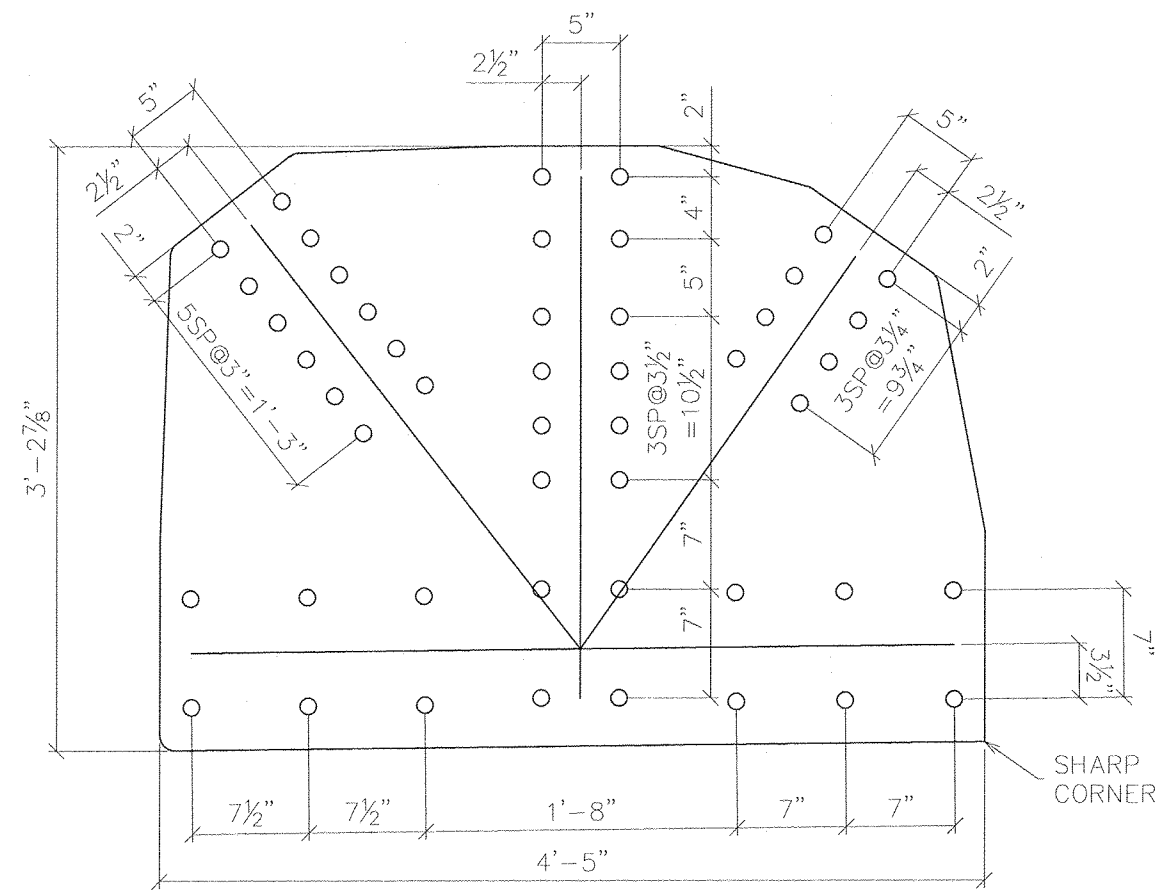
4 - LOWER GUSSET - 13
Plate 5/8"x3'-6 1/16" (5'-3 13/16") GALV
← ROLLING DIRECTION →



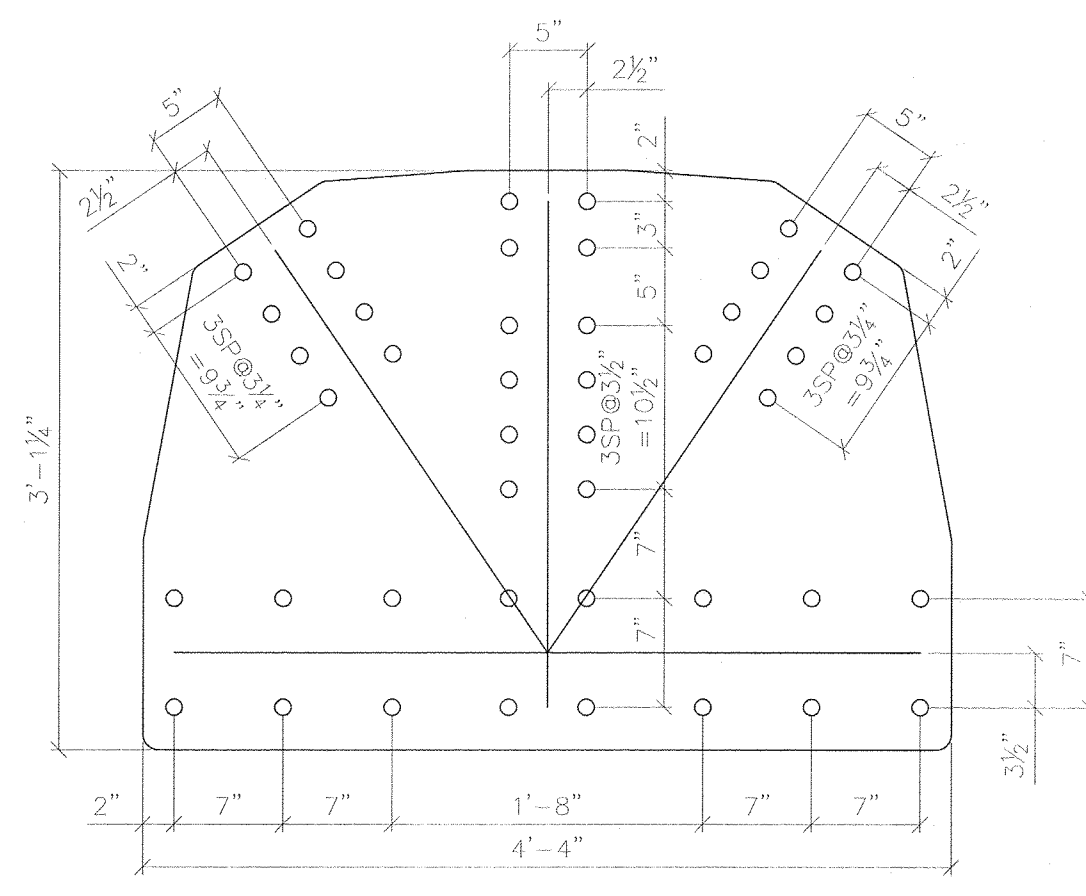
4 - LOWER GUSSET - 17
Plate 5/8"x3'-1 1/4" (4'-4") GALV
← ROLLING DIRECTION →



2 - LOWER GUSSET - 11r
Plate 5/8"x6'-11 5/8" (5'-4 3/8") GALV
← ROLLING DIRECTION →



4 - LOWER GUSSET - 15
Plate 5/8"x3'-2 5/8" (4'-5 1/8") GALV
← ROLLING DIRECTION →



4 - LOWER GUSSET - 19
Plate 5/8"x3'-1 1/4" (4'-4") GALV
← ROLLING DIRECTION →

1/16" HOLES UNO

RECORD DWGS
AS FABRICATED

6/24/13

SYMBOLS & ABBREVIATIONS

ES: EACH SIDE	NS: NEAR SIDE
EQ: EQUAL	FS: FAR SIDE
C: CENTERLINE	WP: WORK POINT
REF: REFERENCE	GA: GAUGE
CHK: CHECK	ID: INSIDE DIAMETER
O/O: OUT TO OUT	OD: OUTSIDE DIAMETER
C/C: CENTER TO CENTER	BRG: BEARING
F/F: FACE TO FACE	TYP: TYPICAL
DI/A: DIAMETER	UNO: UNLESS NOTED OTHERWISE
R: RADIUS	ABUT: ABUTMENT
	T&B: TOP & BOTTOM

DIST. BY:
FAB. BY:



SUBMITTAL LOG	DATE	NO.	DATE	REVISIONS:	BY:
INITIAL SUBMITTAL	12/18/12	1	5/15/13	FLOOR BEAM END PLATES WAS 1" THK	TLB
RESUBMITTAL NO. 2	2/5/13	2	5/15/13	ADDED 2" DIA. RAT HOLES IN fb1 & fb9	TLB
CUSTOMER APPROVAL	2/13/13	3	5/15/13	CHANGED WELD WAS 3/8" ALL AROUND	TLB
SHOP REVIEW	-	4	5/15/13	CHANGED BOLT PATTERN	TLB
PRE FAB MTG	-	5	5/15/13	WAS 2" EDGE DISTANCE	TLB
APPROVED FOR FAB	2/28/13	6	6/3/13	DIMENSIONAL ERRORS	TLB

00000001.jpg

TOWN OF WARREN, VT
COUNTY OF WASHINGTON
BRIDGE NO.173 REPLACEMENT
WARREN, VT

ITEM NO.:
PROJECT NO.: BRF 013-4 (14)
REFERENCE NO.:
BRIDGE NO.: 173
STRUCTURAL FILE NO.:

DESIGN: SAF	DRAW: TLB	REVIEW: SAF/RLI	CHECK: CJG	SHEET: 10b	58
SHOP DETAILS			PLATES		
USB JOB# 51622			10b		