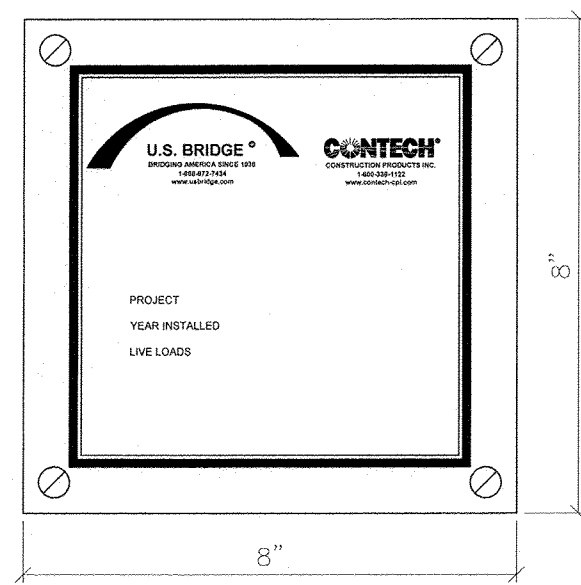
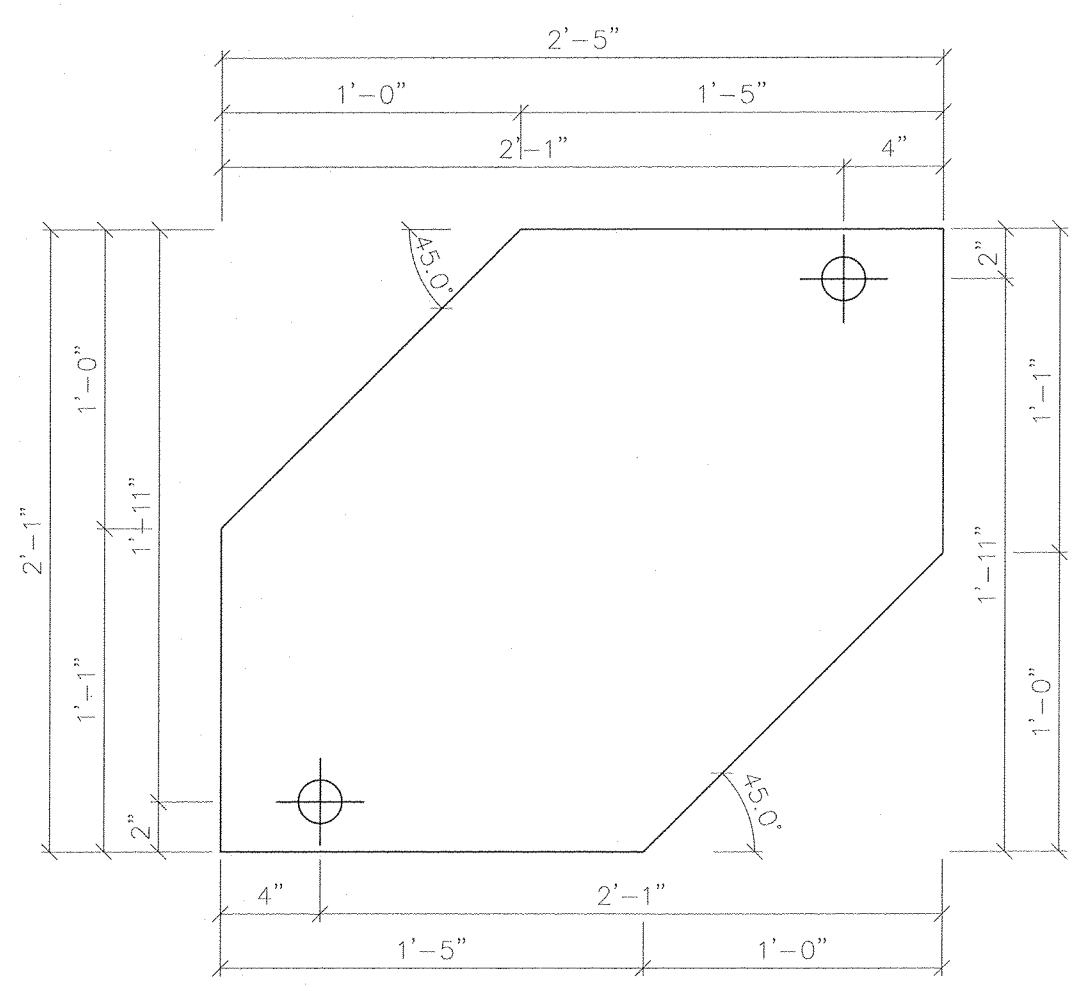


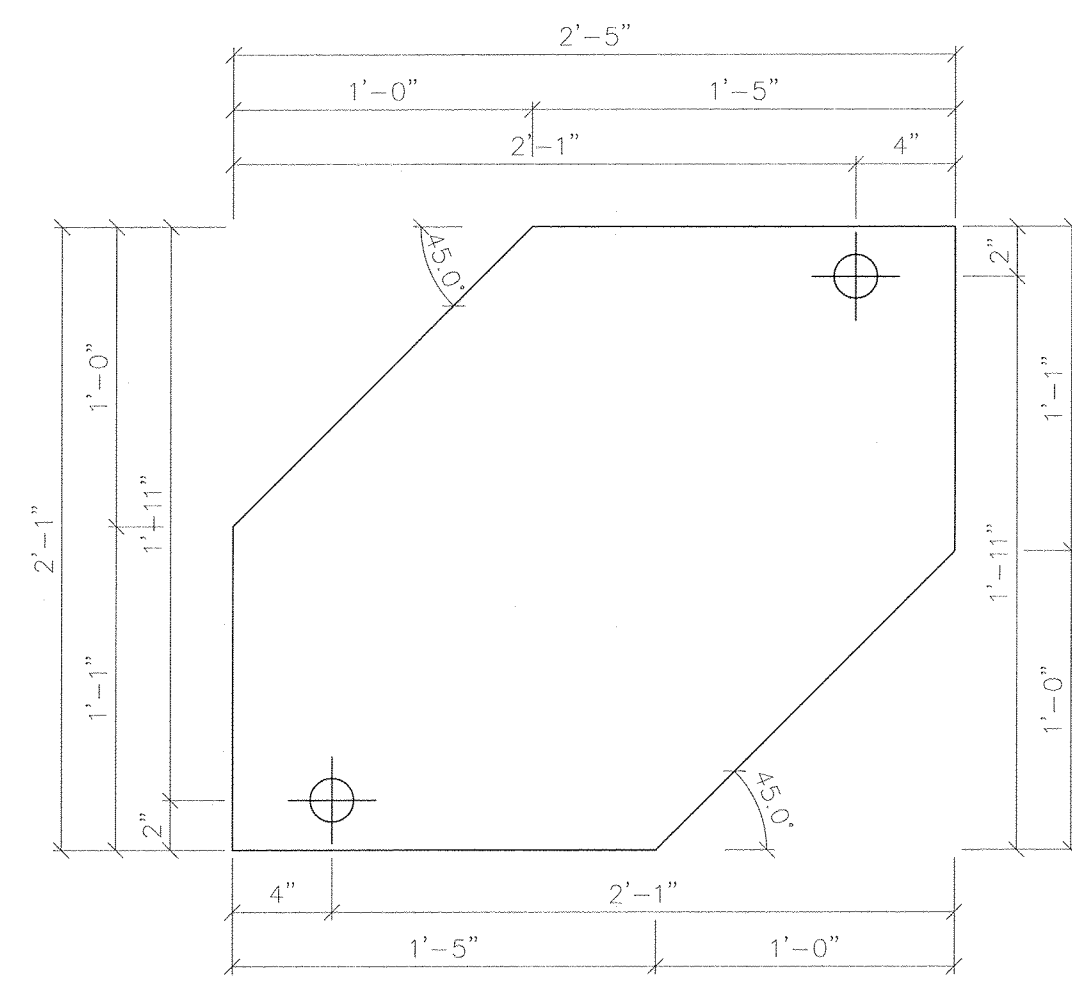
DATE PLOTTED: June 24, 2013



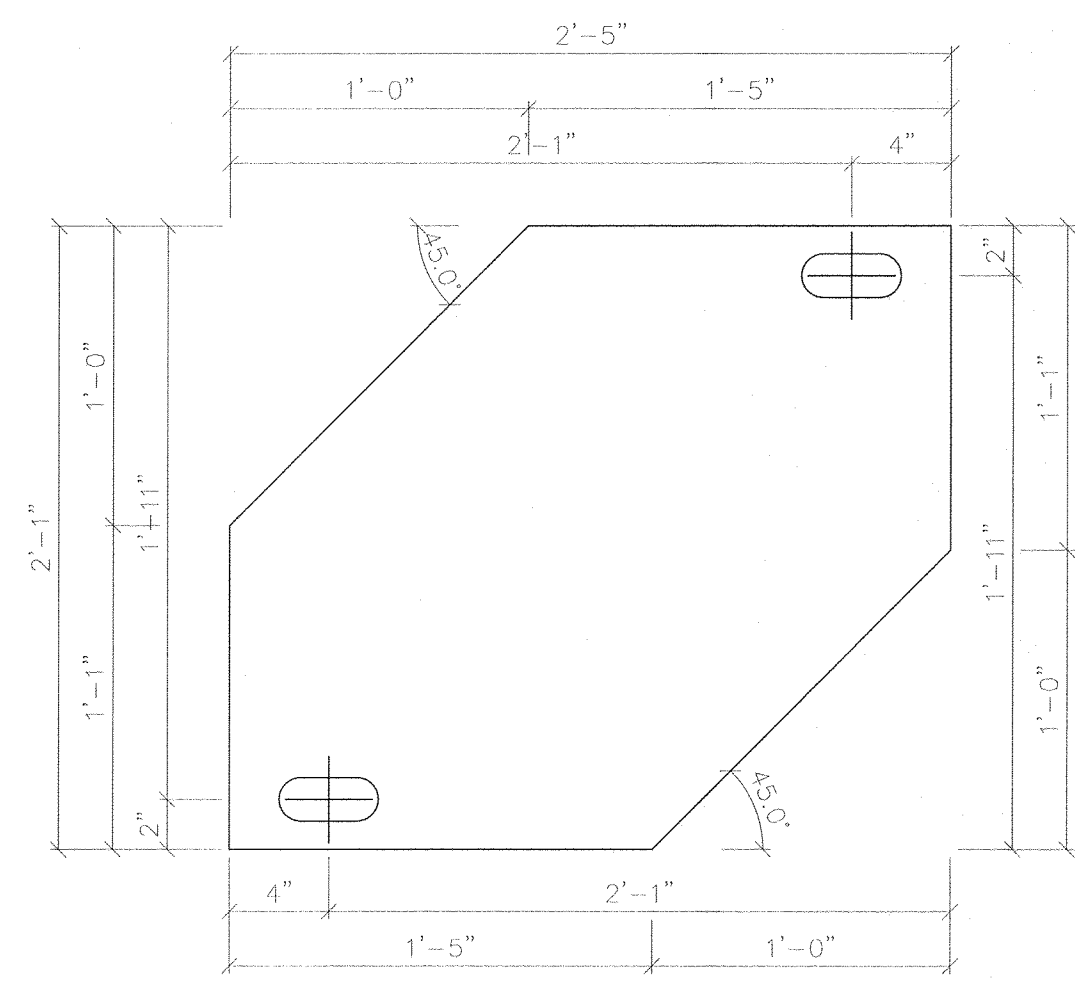
2 - PLAQUE - plaq 1



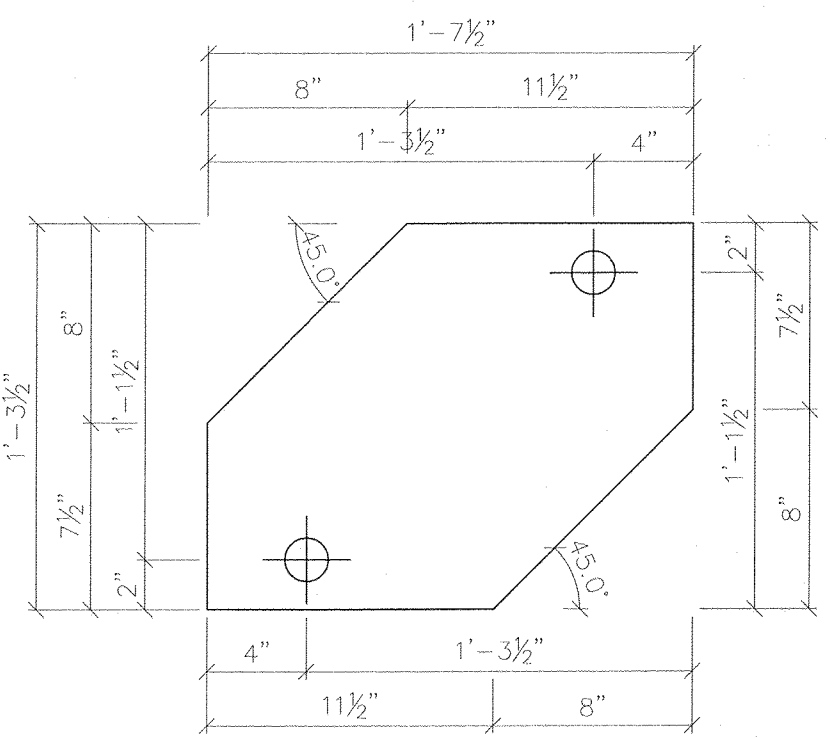
4 - BEARING PLATE - bp1  
Plate 1'x2'-1" (2'-5") GALV



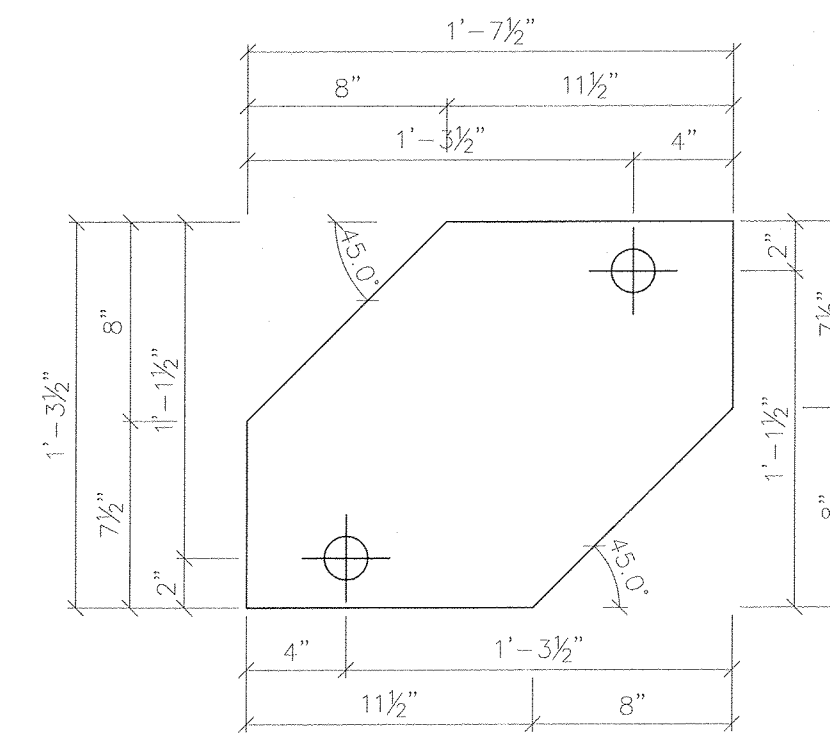
2 - BEARING PLATE - bp2  
Plate 3/4"x2'-1" (2'-5") GALV



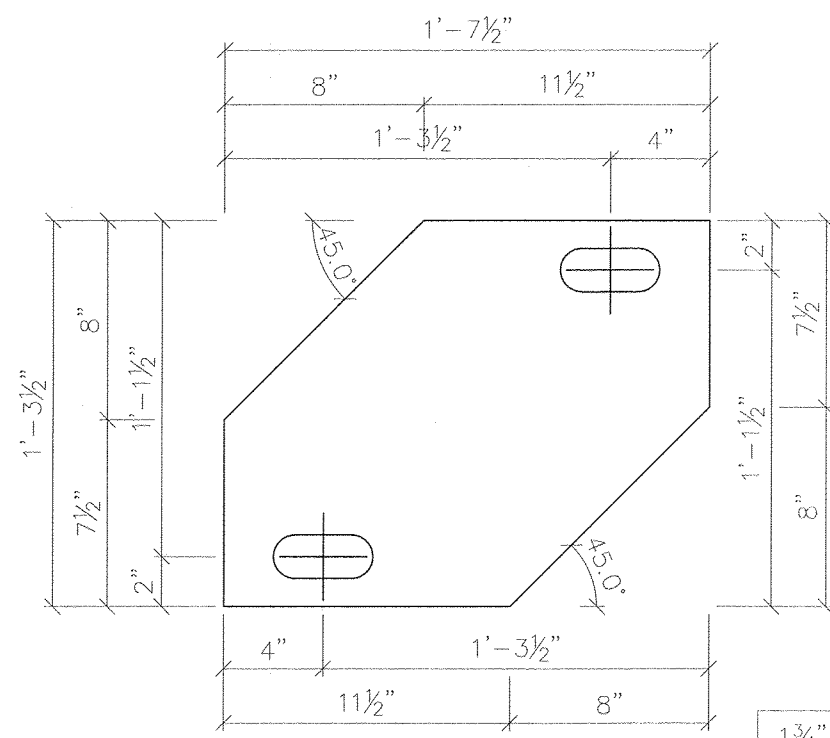
2 - BEARING PLATE - bp3  
Plate 3/4"x2'-1" (2'-5") GALV



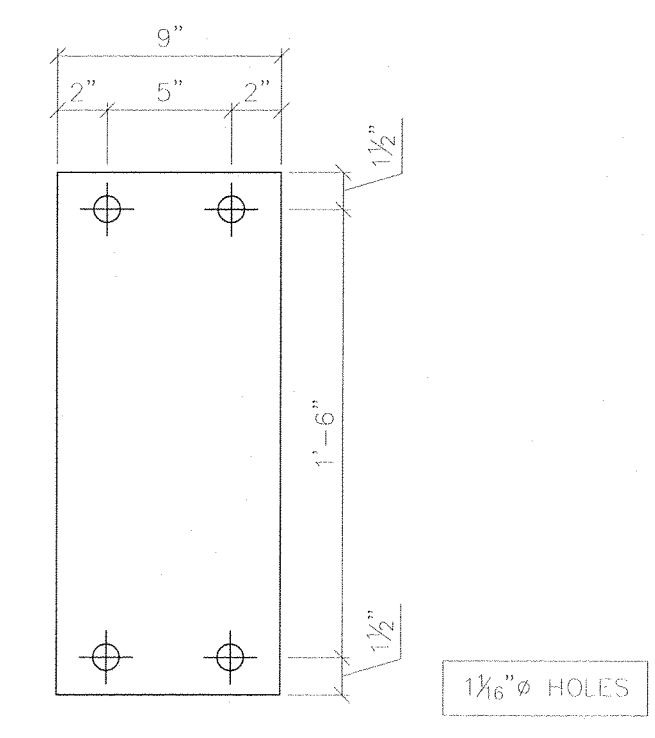
2 - BEARING PLATE - bp4  
Plate 1'x1'-3 1/2" (1'-7 1/2") GALV



1 - BEARING PLATE - bp5  
Plate 3/4"x1'-3 1/2" (1'-7 1/2") GALV



1 - BEARING PLATE - bp6  
Plate 3/4"x1'-3 1/2" (1'-7 1/2") GALV



2 - BEARING PLATE - bp7  
Plate 3/4"x1'-9" (9") GALV

1 3/4" x 4" SLOTS

1 3/8" x 4" SLOTS

1 3/8" x 4" SLOTS

1 3/8" x 4" SLOTS

1 3/8" x 4" SLOTS

1 3/8" x 4" SLOTS

1 3/8" x 4" SLOTS

S:\JOB\SERV\MONT\1622-Galv-Truss-138' x 35'-Warren, VT over Mad River\Drawings\1622 AS-BUILT 6-24-13.dwg

**SYMBOLS & ABBREVIATIONS**

FS: EACH SIDE	NS: NEAR SIDE
ED: EQUAL	FS: FAR SIDE
CL: CENTERLINE	WP: WORK POINT
REF: REFERENCE	GA: GAUGE
CHK: CHECK	ID: INSIDE DIAMETER
O\O: OUT TO OUT	OD: OUTSIDE DIAMETER
C\C: CENTER TO CENTER	BEG: BEARING
FW: FACE TO FACE	TYP: TYPICAL
DI\Ø: DIAMETER	UNO: UNLESS NOTED OTHERWISE
R: RADIUS	ABUT: ABUTMENT
	T&B: TOP & BOTTOM

DIST. BY: **CONTECH**  
CONSTRUCTION PRODUCTS INC.  
www.contech-cpi.com

FAB. BY: **U.S. BRIDGE**  
BRIDGING AMERICA SINCE 1934

SUBMITTAL LOG	DATE	NO.	DATE	REVISIONS	BY:
INITIAL SUBMITTAL	12/18/12	1	5/15/13	FLOOR BEAM END PLATES WAS 1" THK	TLB
RESUBMITTAL NO. 2	2/5/13	2	5/15/13	ADDED 2" DIA. RAT. HOLES IN fb1 & fb9	TLB
CUSTOMER APPROVAL	2/13/13	3	5/15/13	CHANGED WELD WAS 3/8" ALL AROUND	TLB
SHOP REVIEW	-	4	5/15/13	CHANGED BOLT PATTERN	TLB
PRE FAB MTG	-	5	5/15/13	WAS 2" EDGE DISTANCE	TLB
APPROVED FOR FAB	2/28/13	6	6/3/13	DIMENSIONAL ERRORS	TLB

00000001.jpg

TOWN OF WARREN, VT  
COUNTY OF WASHINGTON  
BRIDGE NO.173 REPLACEMENT  
WARREN, VT

ITEM NO.:  
PROJECT NO.: BRF 013-4 (14)  
REFERENCE NO.:  
BRIDGE NO.: 173  
STRUCTURAL FILE NO.:

DESIGN: SAF DRAW: TLB REVIEW: SAF/RLI CHECK: CJG

SHOP DETAILS PLATES USB JOB# 51622

RECORD DWGS AS FABRICATED

6/24/13

10 58