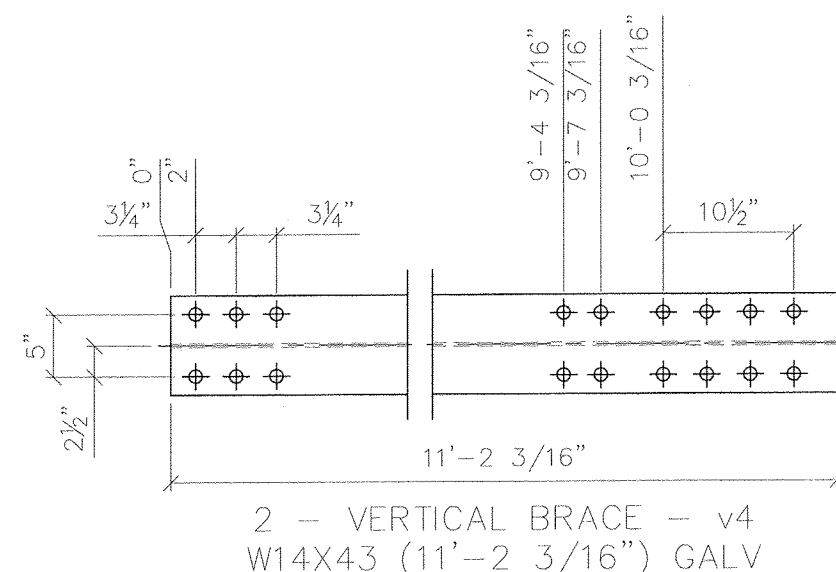
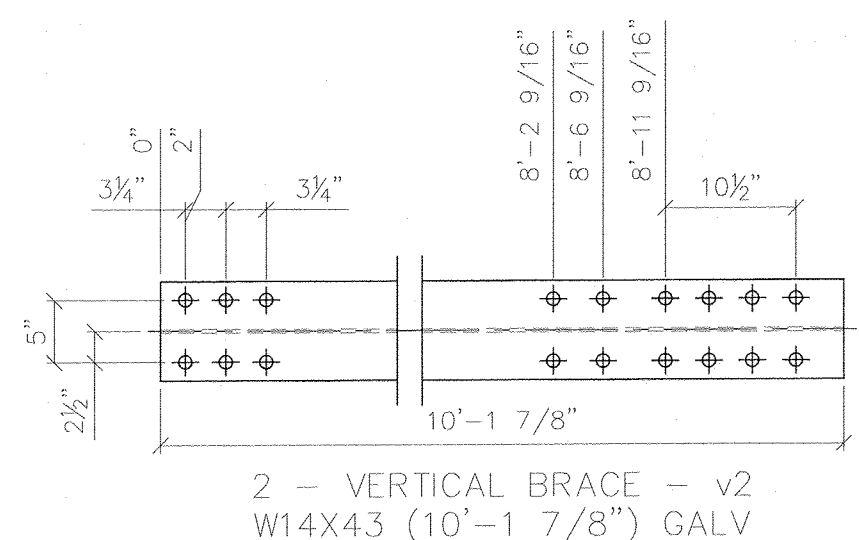


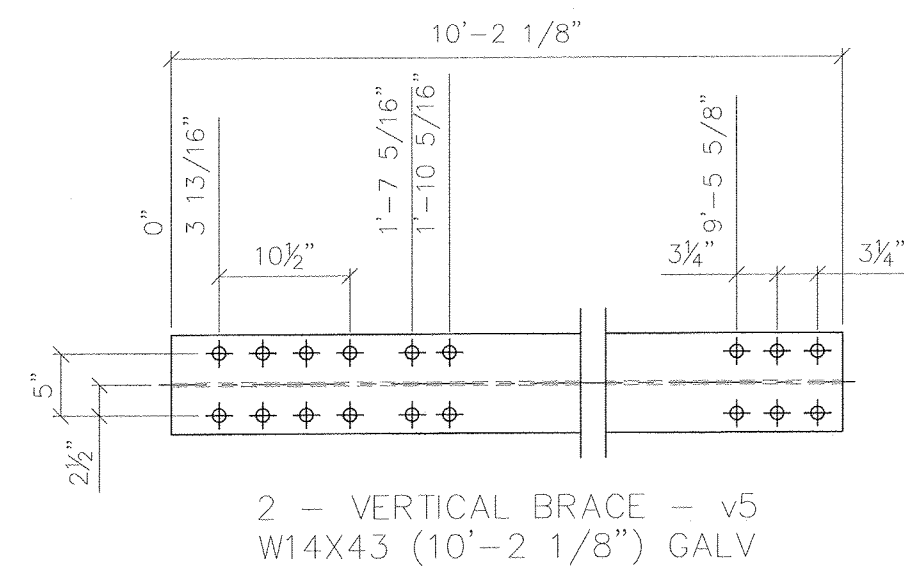
2 - VERTICAL BRACE - v1
W14X43 (8'-8 1/8") GALV



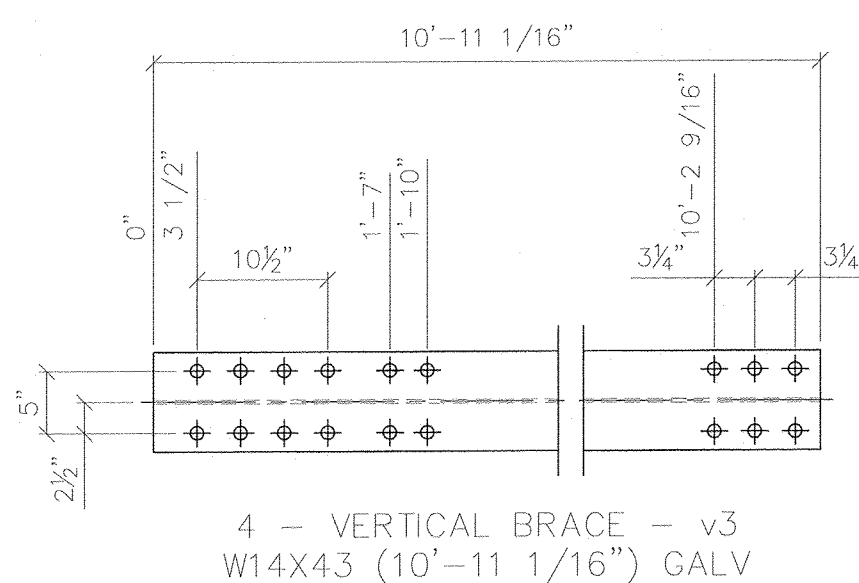
2 - VERTICAL BRACE - v4
W14X43 (11'-2 3/16") GALV



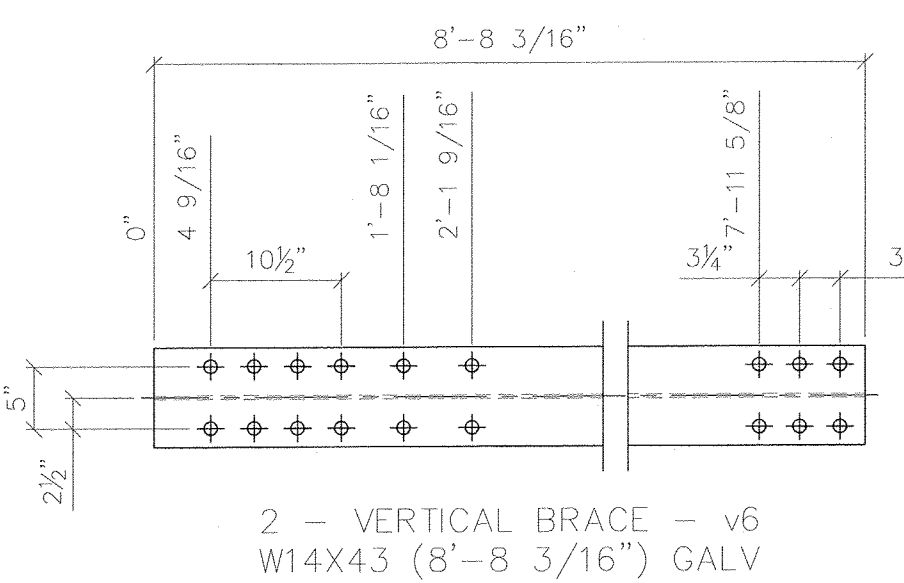
2 - VERTICAL BRACE - v2
W14X43 (10'-1 7/8") GALV



2 - VERTICAL BRACE - v5
W14X43 (10'-2 1/8") GALV



4 - VERTICAL BRACE - v3
W14X43 (10'-11 1/16") GALV



2 - VERTICAL BRACE - v6
W14X43 (8'-8 3/16") GALV

1 3/8" Ø HOLES UNO

RECORD DWGS
AS FABRICATED

6/24/13

SYMBOLS & ABBREVIATIONS

ES: EACH SIDE	NS: NEAR SIDE
FS: FAR SIDE	FS: FAR SIDE
EQ: EQUAL	WP: WORK POINT
CL: CENTERLINE	GA: GALV
CHK: CHECK	ID: INSIDE DIAMETER
O/C: OUT TO OUT	OD: OUTSIDE DIAMETER
C/C: CENTER TO CENTER	BIG: BEARING
TY: TYPICAL	UNO: UNLESS NOTED OTHERWISE
FA: FACE TO FACE	AS: AS SHOWN
DIA: DIAMETER	T&B: TOP & BOTTOM
R: RADIUS	

DIST. BY:

FAB. BY:

SUBMITTAL LOG	DATE	NO.	DATE	REVISIONS:	BY:
INITIAL SUBMITTAL	12/18/12	1	5/15/13	FLOOR BEAM END PLATES WAS 1" THK	TLB
RESUBMITTAL NO. 2	2/5/13	2	5/15/13	ADDED 2" DIA. RAT HOLES IN fb1 & fb9	TLB
CUSTOMER APPROVAL	2/13/13	3	5/15/13	CHANGED WELD WAS 3/8" ALL AROUND	TLB
SHOP REVIEW	-	4	5/15/13	CHANGED BOLT PATTERN	TLB
PRE FAB MTG	-	5	5/15/13	WAS 2" EDGE DISTANCE	TLB
APPROVED FOR FAB	2/28/13	6	6/3/13	DIMENSIONAL ERRORS	TLB

00000001.jpg

TOWN OF WARREN, VT
COUNTY OF WASHINGTON
BRIDGE NO.173 REPLACEMENT
WARREN, VT

DESIGN: SAF	DRAW: TLB	REVIEW: SAF/RLI	CHECK: CJG
ITEM NO.:	PROJECT NO.: BRF 013-4 (14)	REFERENCE NO.:	BRIDGE NO.: 173
STRUCTURAL FILE NO.:		USB JOB#	51622

SHOP DETAILS

PROFILES

SHEET 9y 58