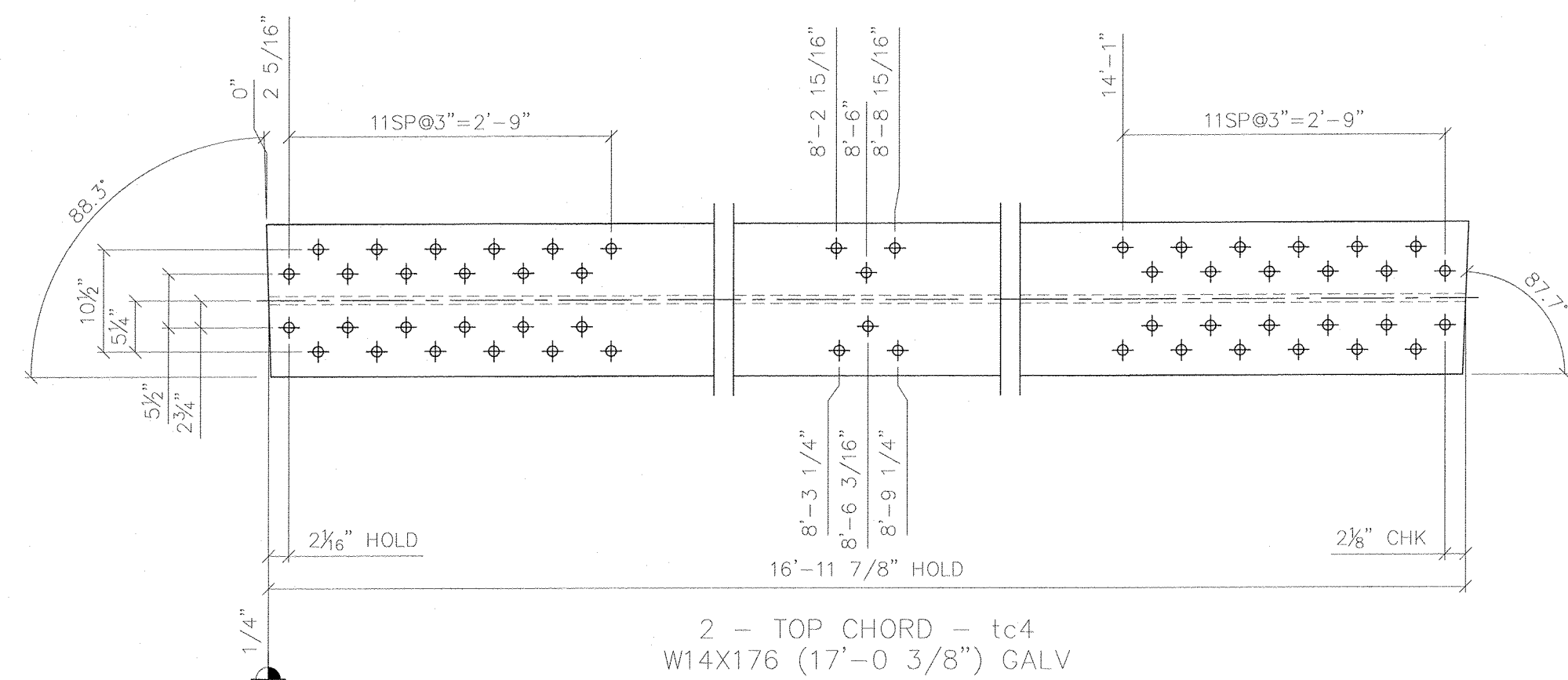
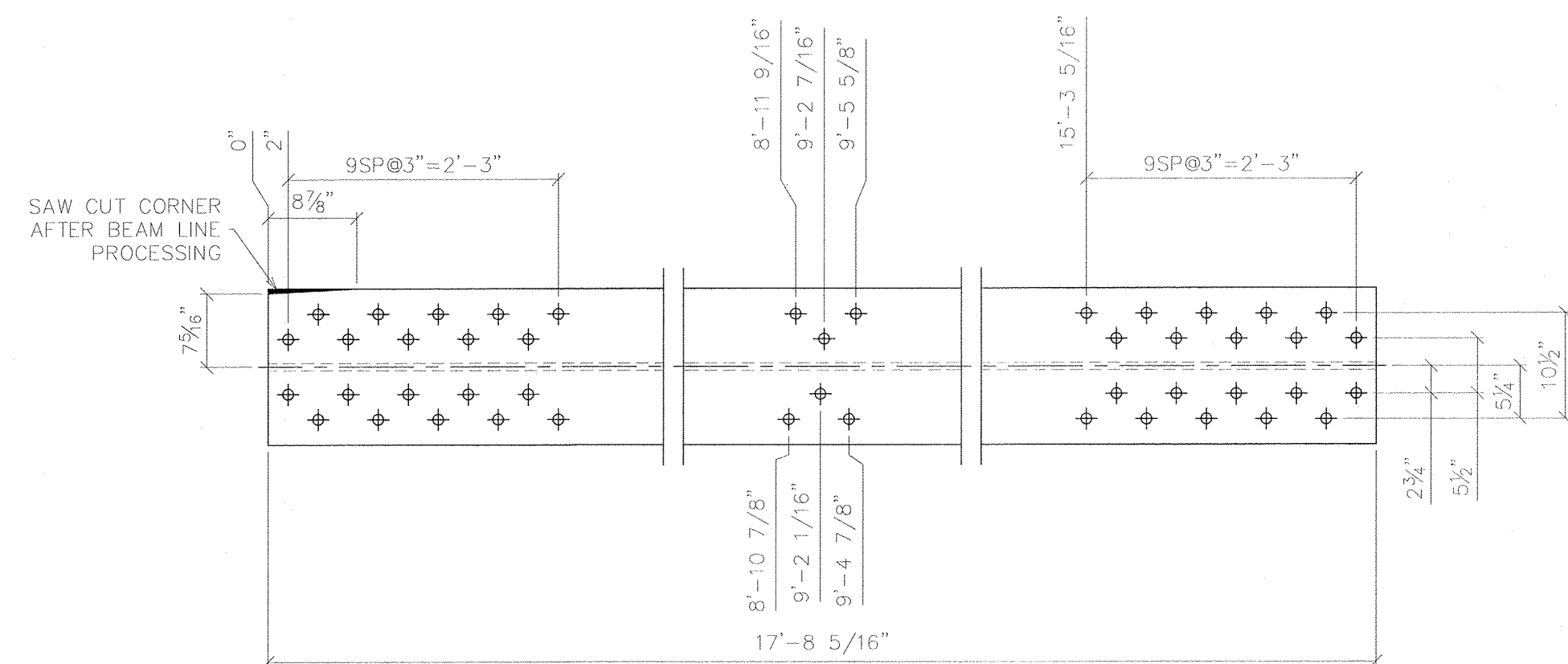


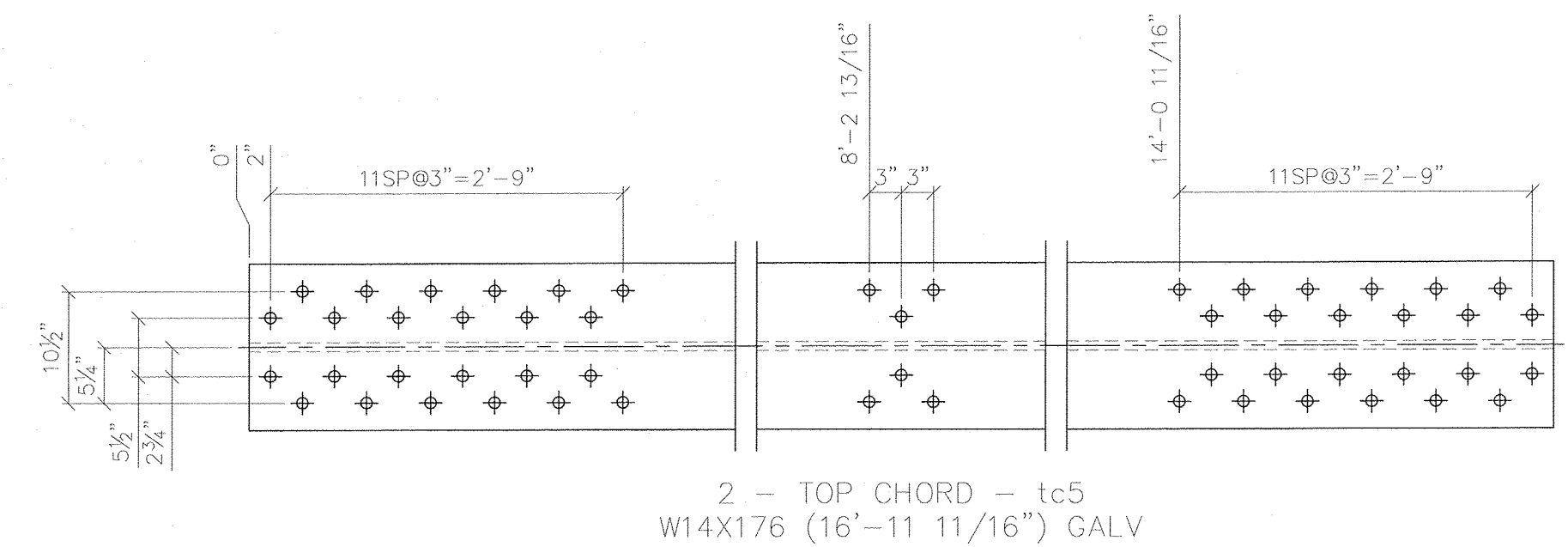
DATE PLOTTED June 24, 2013



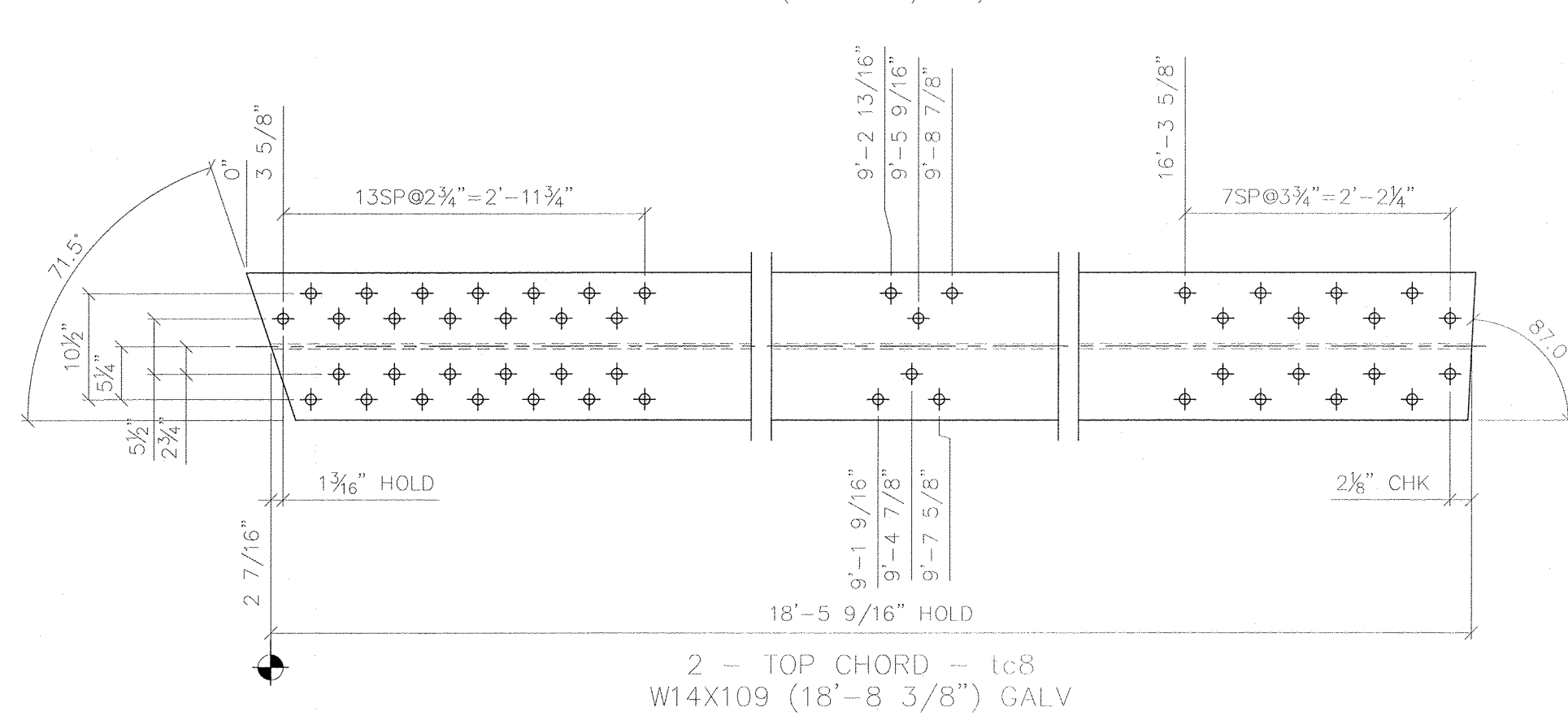
2 - TOP CHORD - tc4  
W14X176 (17'-0 3/8") GALV



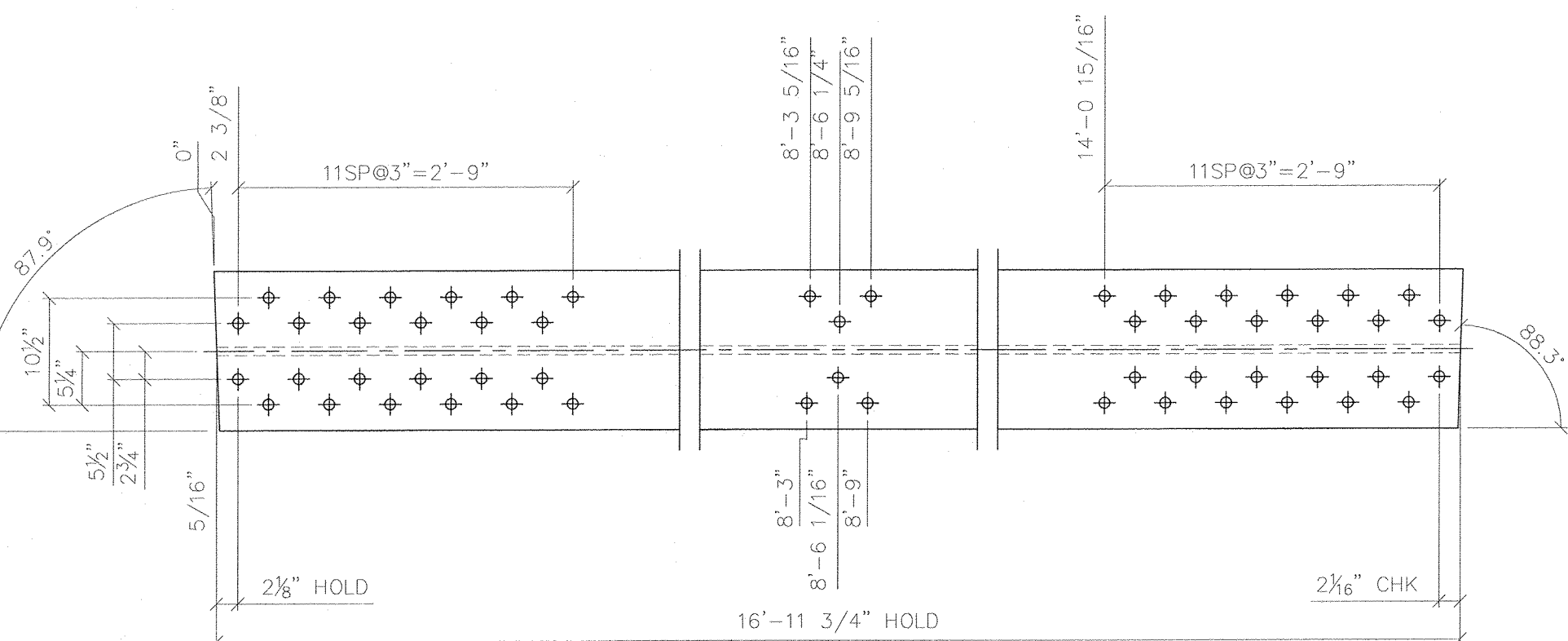
2 - TOP CHORD - tc7  
W14X159 (17'-8 5/16") GALV



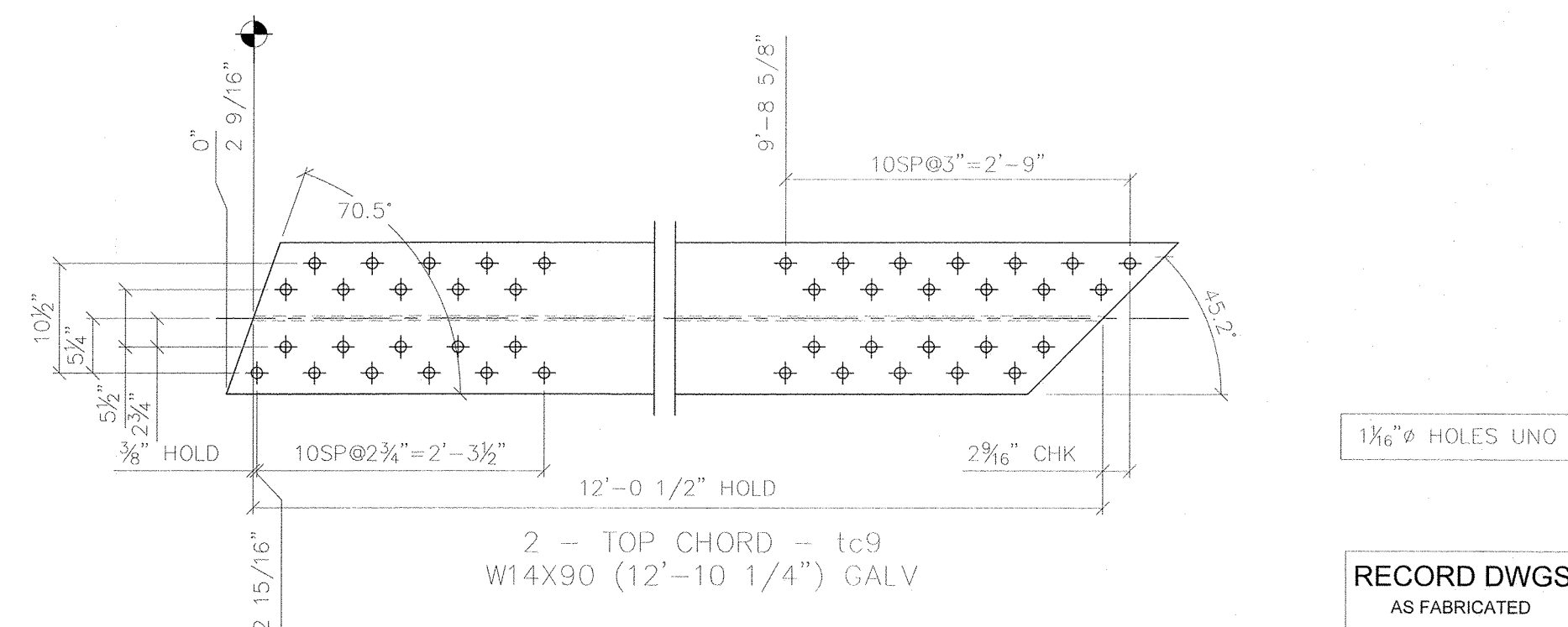
2 - TOP CHORD - tc5  
W14X176 (16'-11 11/16") GALV



2 - TOP CHORD - tc8  
W14X109 (18'-8 3/8") GALV



2 - TOP CHORD - tc6  
W14X176 (17'-0 1/4") GALV



2 - TOP CHORD - tc9  
W14X90 (12'-10 1/4") GALV

1 3/16" Ø HOLES UNO

RECORD DWGS  
AS FABRICATED

6/24/13

S:\08SERV\MONTG1622-Galv\Truss-1385 x 35-Warren-VT over Mad River\Drawings\1622 AS-BUILT 6-24-13.dwg

SYMBOLS & ABBREVIATIONS	
FS: EACH SIDE	NS: NEAR SIDE
FD: EQUAL	FS: FAR SIDE
CP: CENTERLINE	WP: WORK POINT
CHK: CHECK	GA: GAUGE
O/C: OUT TO OUT	ID: INSIDE DIAMETER
O/C: CENTER TO CENTER	OD: OUTSIDE DIAMETER
FB: FACE TO FACE	B/C: BEARING
DIA: DIAMETER	TYP: TYPICAL
R: RADIUS	UNO: UNLESS NOTED OTHERWISE
	AS: ASSEMBLY
	T&B: TOP & BOTTOM

DIST. BY:  
FAB. BY:



SUBMITTAL LOG	DATE	NO.	DATE	REVISIONS:	BY:
INITIAL SUBMITTAL	12/18/12	1	5/15/13	FLOOR BEAM END PLATES WAS 1" THK	TLB
RESUBMITTAL NO. 2	2/5/13	2	5/15/13	ADDED 2" DIA. RAT HOLES IN I61 & I69	TLB
CUSTOMER APPROVAL	2/13/13	3	5/15/13	CHANGED WELD WAS 3/8" ALL AROUND	TLB
SHOP REVIEW	-	4	5/15/13	CHANGED BOLT PATTERN	TLB
PRE FAB MTG	-	5	5/15/13	WAS 2" EDGE DISTANCE	TLB
APPROVED FOR FAB	2/28/13	6	6/3/13	DIMENSIONAL ERRORS	TLB

00000001.jpg

TOWN OF WARREN, VT  
COUNTY OF WASHINGTON  
BRIDGE NO.173 REPLACEMENT  
WARREN, VT

ITEM NO.:  
PROJECT NO.: BRF 013-4 (14)  
REFERENCE NO.:  
BRIDGE NO.: 173  
STRUCTURAL FILE NO.:

DESIGN:	DRAW:	REVIEW:	CHECK:	DATE:
SAF	TLB	SAF/RL	CJC	6/24/13

SHOP DETAILS

PROFILES

USB JOB#

51622

9x 58