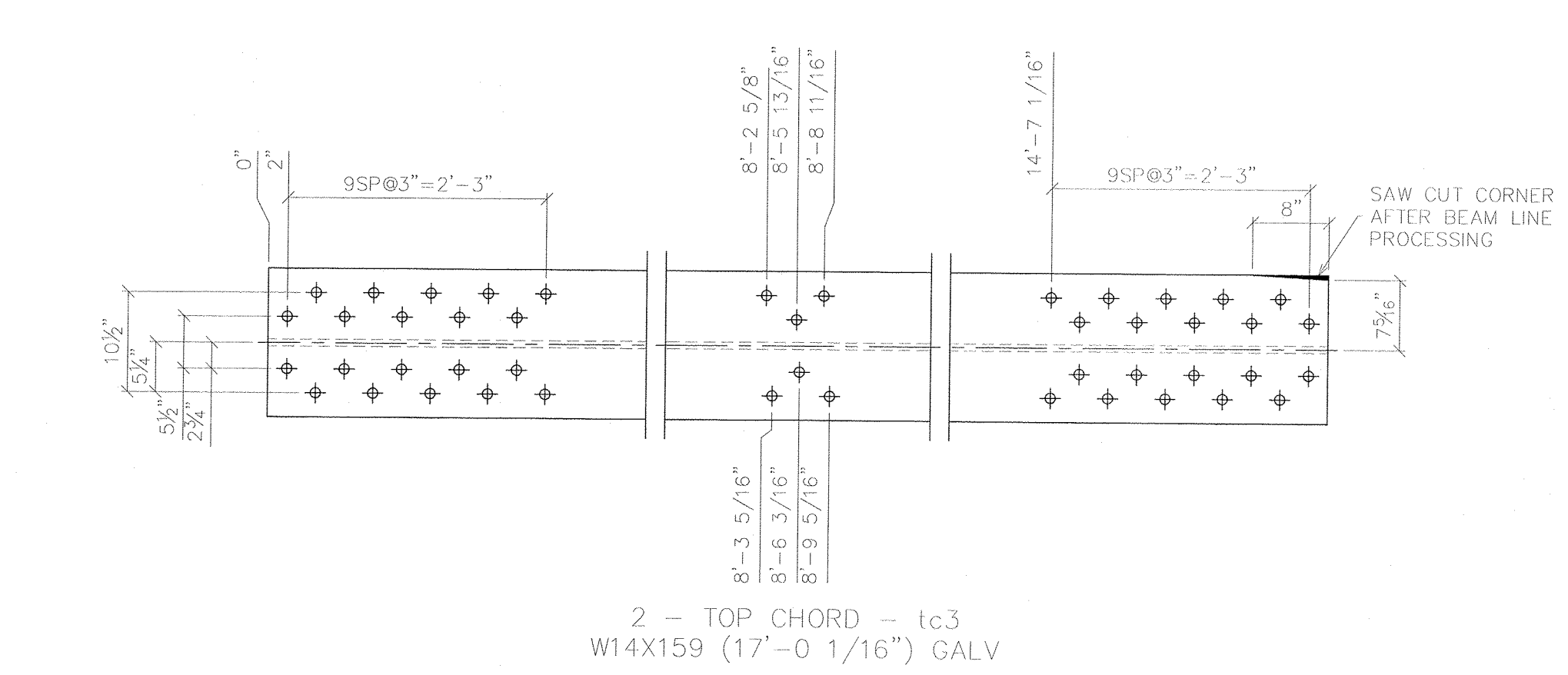
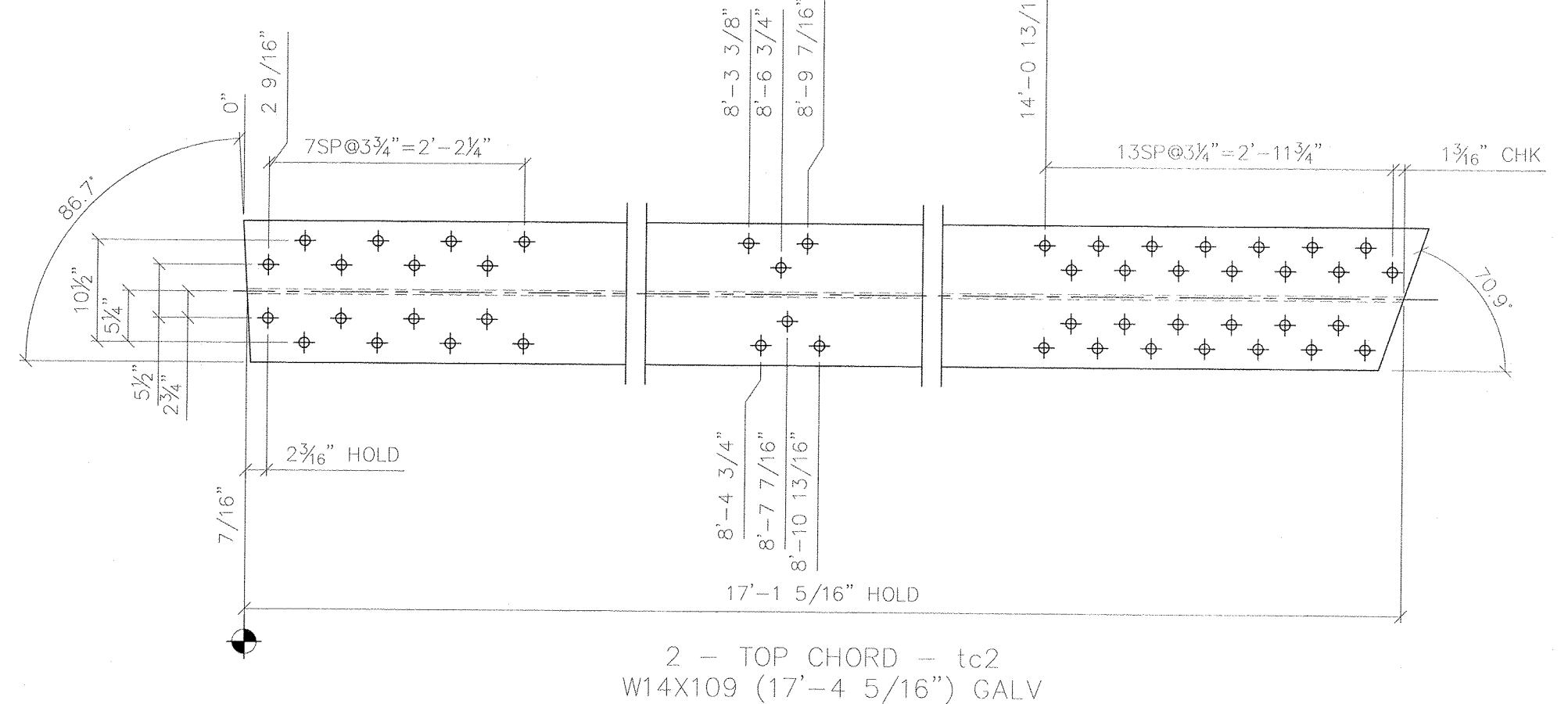
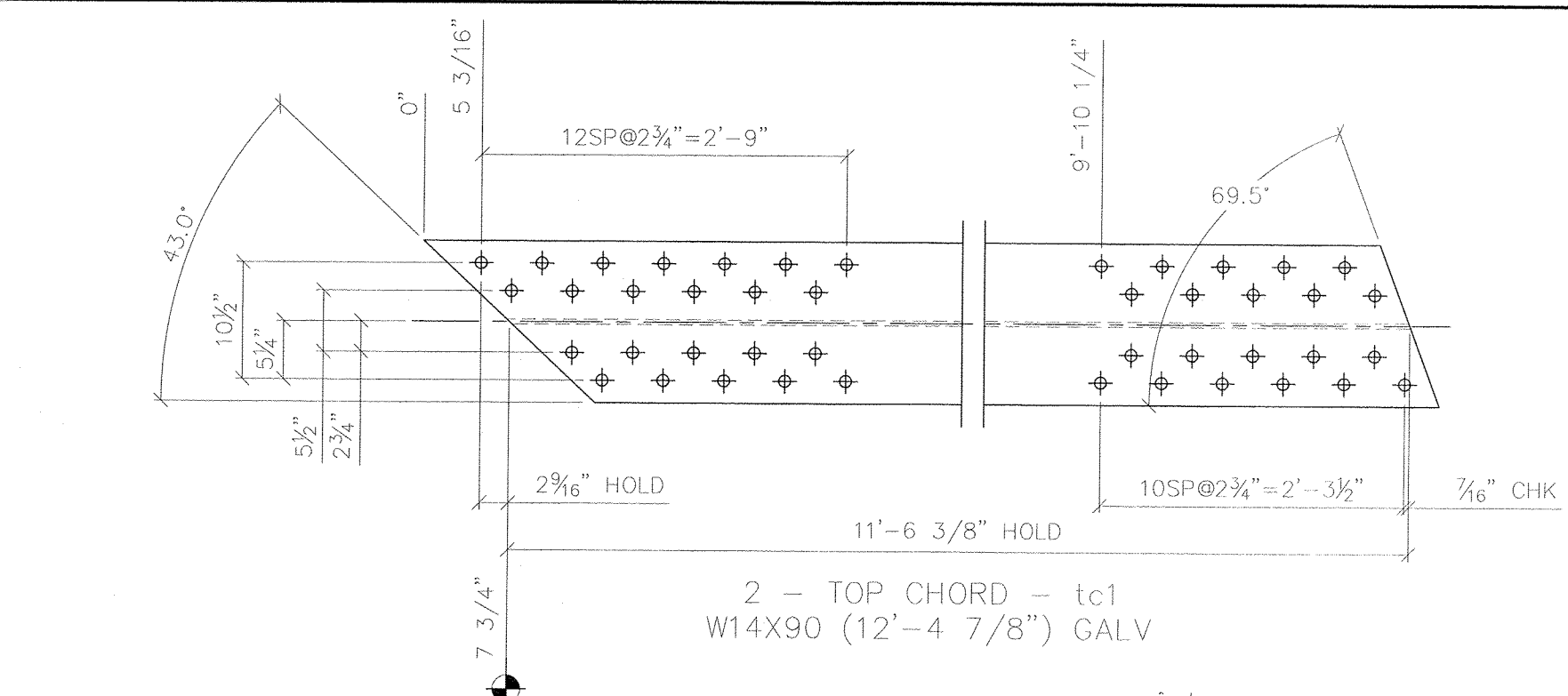
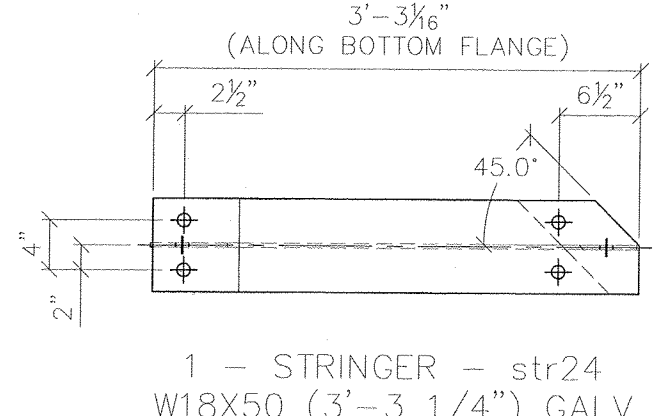
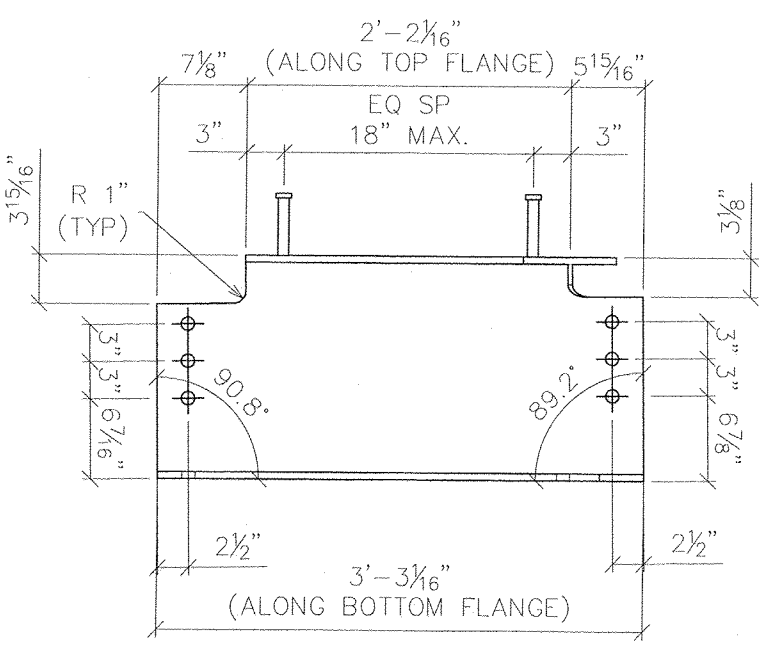
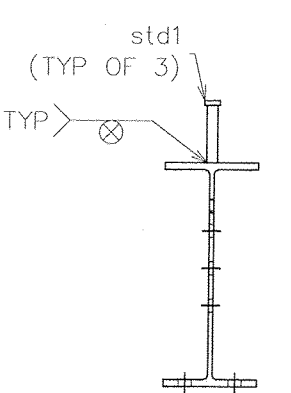
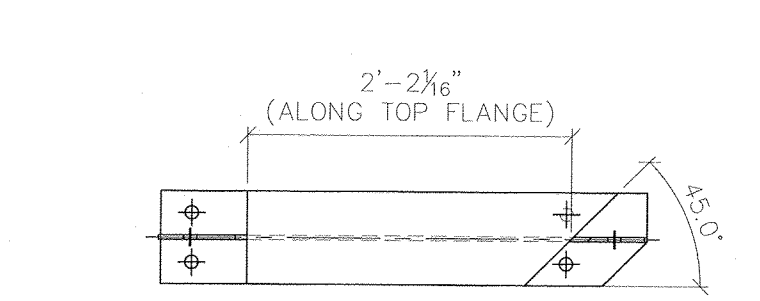
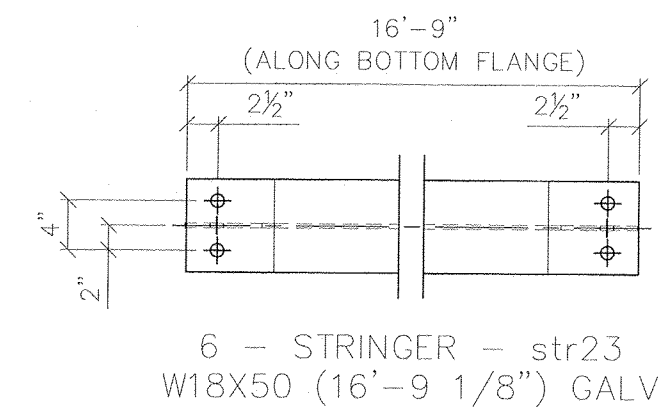
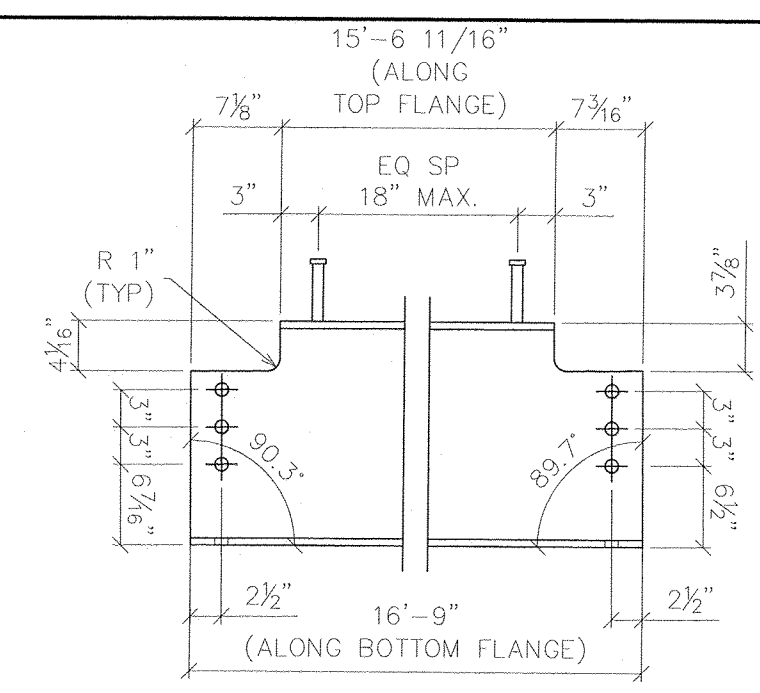
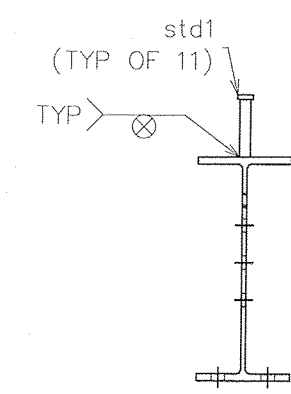


DATE PLOTTED June 24, 2013

S:\PROJECTS\1622\1622.dwg; Title: 1622 - 35 Warren, VT over Main River Drawings\1622.dwg; Plot: 6/24/13



1 1/8\"/>

RECORD DWGS  
AS FABRICATED

6/24/13

**SYMBOLS & ABBREVIATIONS**

ES: EACH SIDE	NS: NEAR SIDE
EQ: EQUAL	FS: FAR SIDE
R: REFERENCE	WP: WORK POINT
CHK: CHECK	GA: GAUGE
O/O: OUT TO OUT	ID: INSIDE DIAMETER
C/C: CENTER TO CENTER	OD: OUTSIDE DIAMETER
F: FACE TO FACE	BNG: BEARING
DIA: DIAMETER	TYP: TYPICAL
R: RADIUS	UNO: UNLESS NOTED OTHERWISE
	ABUT: ABUTMENT
	T&B: TOP & BOTTOM

DIST. BY: **CONTECH** CONSTRUCTION PRODUCTS INC. www.contechcpi.com

FAB. BY: **U.S. BRIDGE** BRIDGING AMERICA SINCE 1936

SUBMITTAL LOG	DATE	NO.	DATE	REVISIONS:	BY:
INITIAL SUBMITTAL	12/18/12	1	5/15/13	FLOOR BEAM END PLATES WAS 1" THK	TLB
RESUBMITTAL NO. 2	2/5/13	2	5/15/13	ADDED 2" DIA. RAT HOLES IN fb1 & fb9	TLB
CUSTOMER APPROVAL	2/13/13	3	5/15/13	CHANGED WELD WAS 3/8" ALL AROUND	TLB
SHOP REVIEW	-	4	5/15/13	CHANGED BOLT PATTERN	TLB
PRE FAB MTG	-	5	5/15/13	WAS 2" EDGE DISTANCE	TLB
APPROVED FOR FAB	2/28/13	6	6/3/13	DIMENSIONAL ERRORS	TLB

00000001.jpg

TOWN OF WARREN, VT  
COUNTY OF WASHINGTON  
BRIDGE NO.173 REPLACEMENT  
WARREN, VT

DESIGN: SAF DRAW: TLB REVIEW: SAF/RLI CHECK: CJG

ITEM NO.:  
PROJECT NO.: BRF 013-4 (14)  
REFERENCE NO.:  
BRIDGE NO.: 173  
STRUCTURAL FILE NO.:

SHOP DETAILS

PROFILES

USB JOB# 51622

9w

58