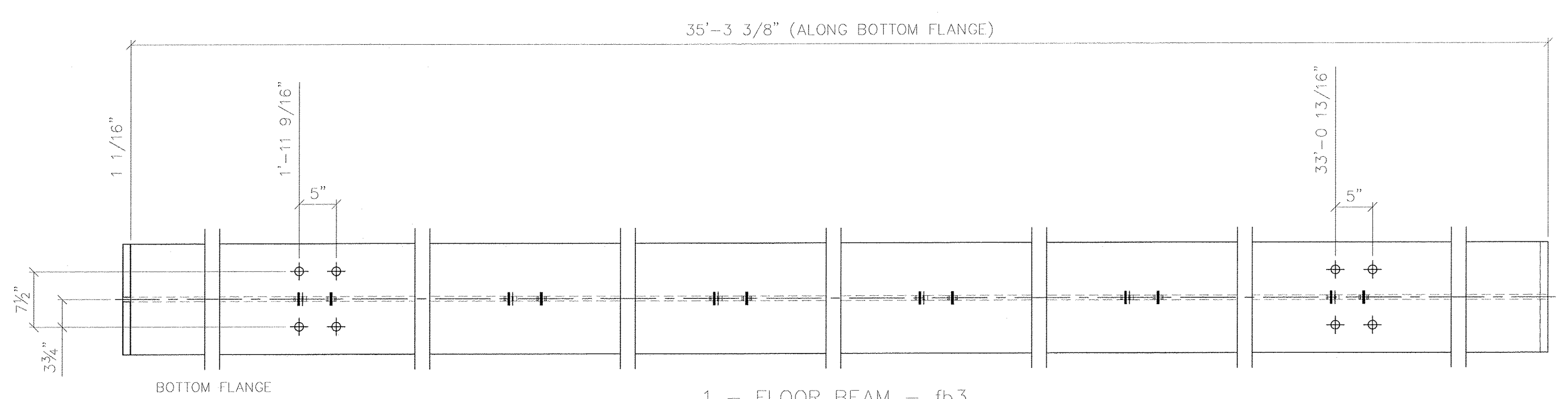
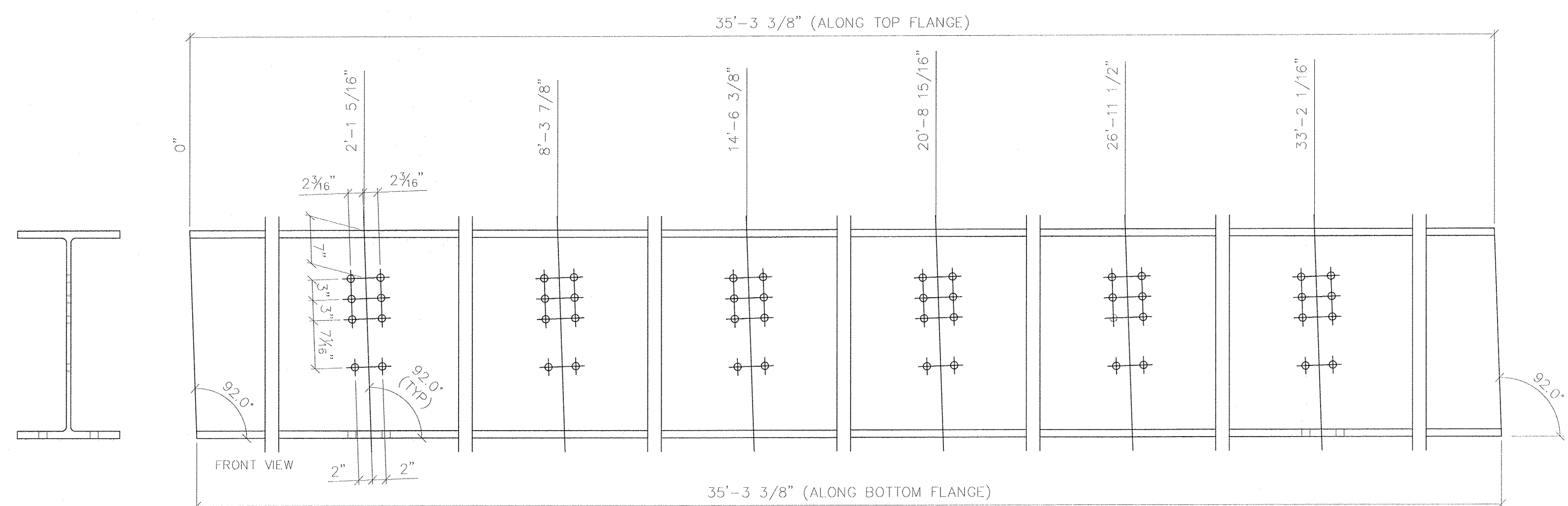
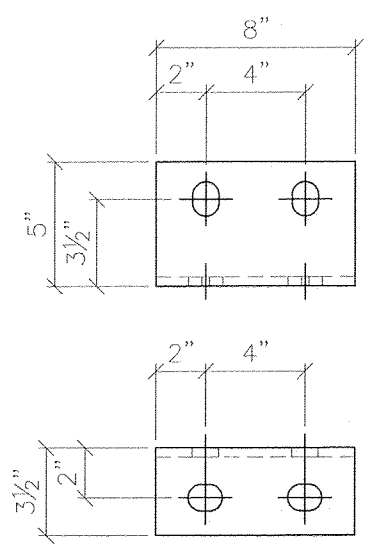


DATE PLOTTED: June 24, 2013



1 - FLOOR BEAM - fb3  
W30X173 (35'-4 7/16\") GALV



96 - STRINGER SEAT ANGLE - ssa1  
L5X3-1/2X3/8 (8\") GALV

1/8\"/>

RECORD DWGS  
AS FABRICATED  
6/24/13

S:\DESIGN\PROJECTS\1622\1622.dwg; T:\Users\3389 x 35\Hansen, J.T over Mar River\Drawings\1622 AS-BUILT 6-24-13.dwg

**SYMBOLS & ABBREVIATIONS**

ES: EACH SIDE	NS: NEAR SIDE
EQ: EQUAL	FS: FAR SIDE
CL: CENTERLINE	WP: WORK POINT
REF: REFERENCE	GA: GAUGE
CHK: CHECK	ID: INSIDE DIAMETER
O/Q: OUT TO OUT	OD: OUTSIDE DIAMETER
C/C: CENTER TO CENTER	BRG: BEARING
F/F: FACE TO FACE	TYP: TYPICAL
DIA: DIAMETER	UNO: UNLESS NOTED OTHERWISE
R: RADIUS	ASLT: ABUTMENT
	T&B: TOP & BOTTOM

DIST. BY: **CONTECH** CONSTRUCTION PRODUCTS INC.  
www.contechcp.com

FAB. BY: **U.S. BRIDGE** BRIDGING AMERICA SINCE 1916

SUBMITTAL LOG	DATE	NO.	DATE	REVISIONS:	BY:
INITIAL SUBMITTAL	12/18/12	▲	5/15/13	FLOOR BEAM END PLATES WAS 1\"/>	

00000001.jpg

TOWN OF WARREN, VT  
COUNTY OF WASHINGTON  
BRIDGE NO. 173 REPLACEMENT  
WARREN, VT

DESIGN: SAF	DRAW: TLB	REVIEW: SAF/RLL	CHECK: CJG
ITEM NO.: PROJECT NO.: BRF 013-4 (14)			58
REFERENCE NO.: BRIDGE NO.: 173			9e
STRUCTURAL FILE NO.:			51622

SHOP DETAILS

PROFILES

58