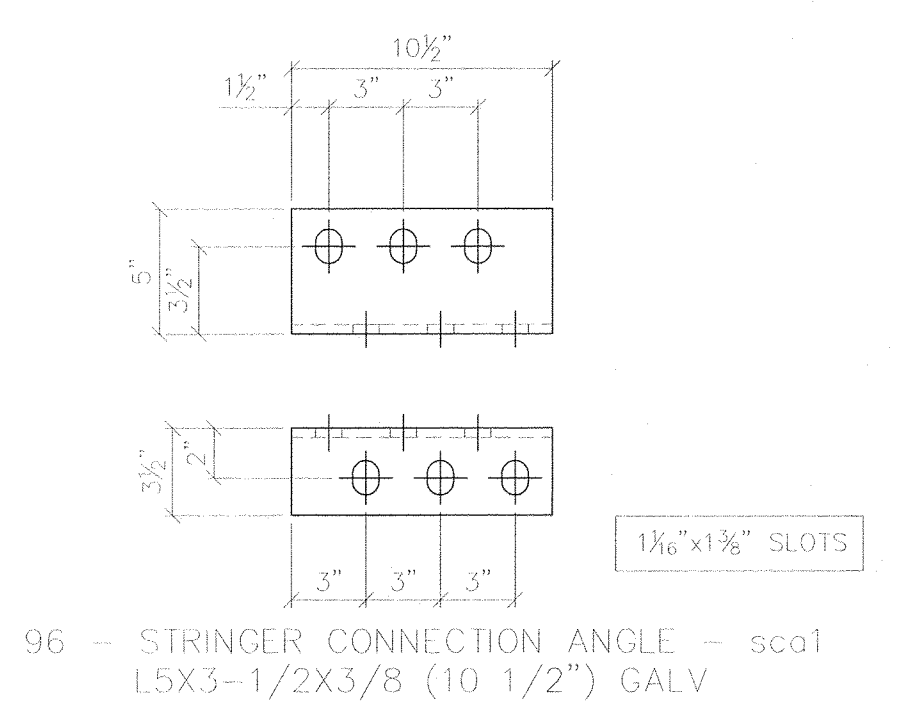
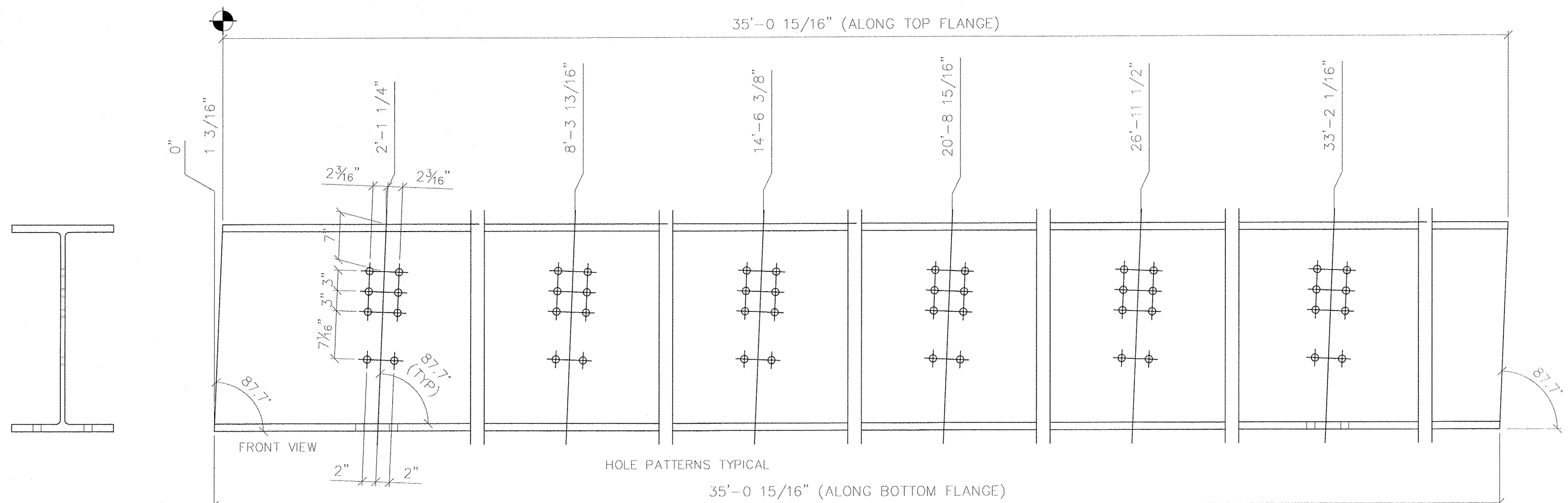
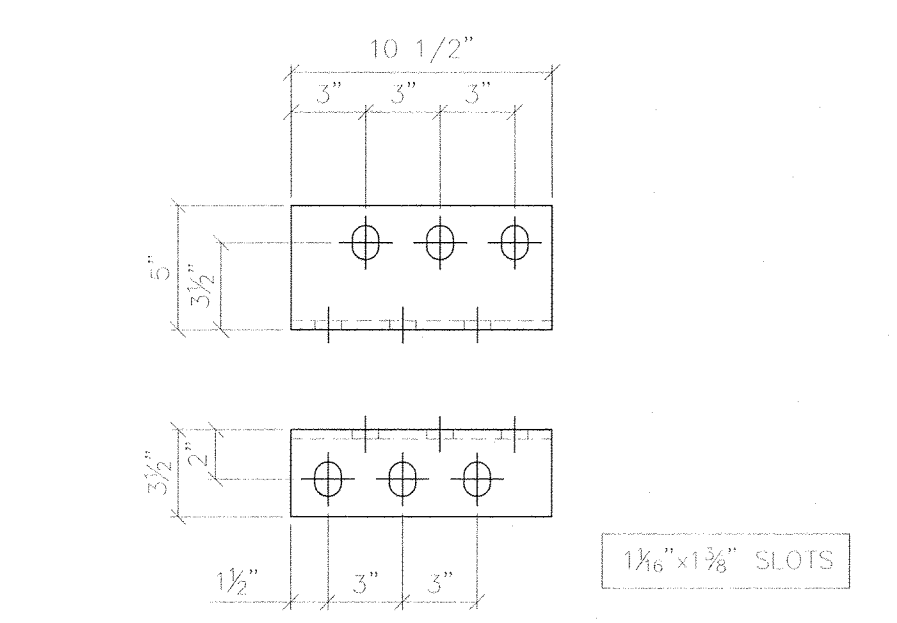
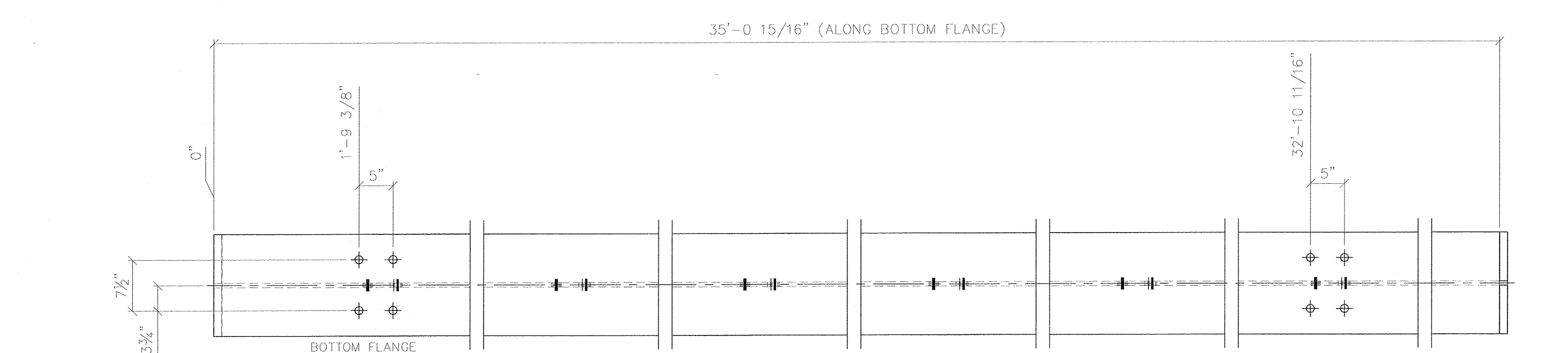


DATE PLOTTED: June 24, 2013

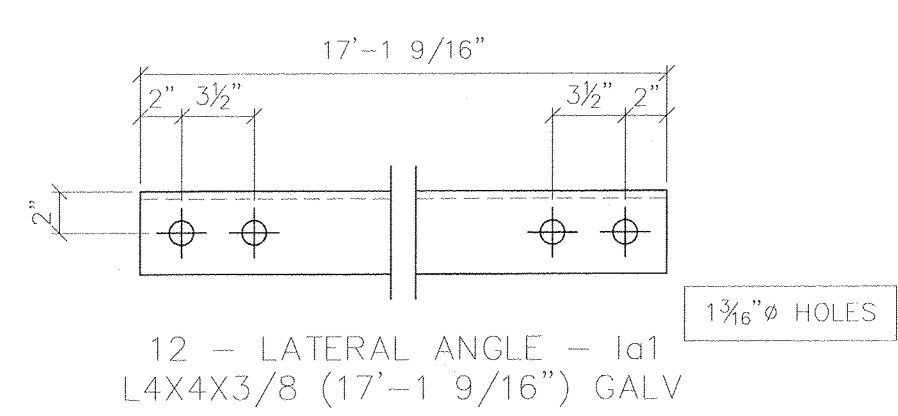


96 - STRINGER CONNECTION ANGLE - sca1  
L5X3-1/2X3/8 (10 1/2") GALV

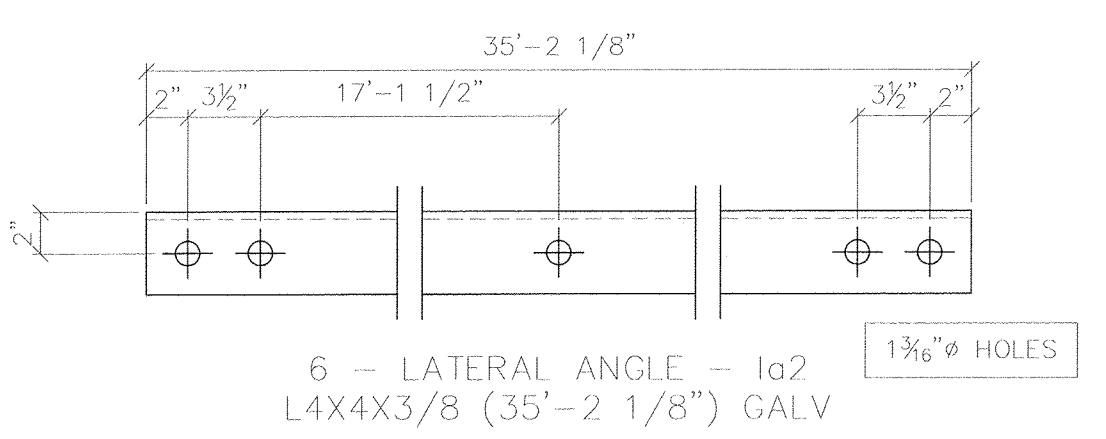


96 - STRINGER CONNECTION ANGLE - sca2  
L5X3-1/2X3/8 (10 1/2") GALV

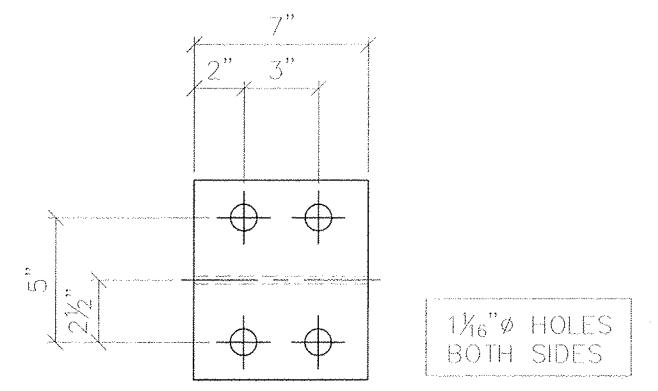
1 - FLOOR BEAM - fb2  
W30X173 (35'-2 1/8") GALV



12 - LATERAL ANGLE - la1  
L4X4X3/8 (17'-1 9/16") GALV



6 - LATERAL ANGLE - la2  
L4X4X3/8 (35'-2 1/8") GALV



4 - SPACER BEAM - spb1  
W14X43 (7") GALV

RECORD DWGS  
AS FABRICATED  
6/24/13

S:\05\VERMONT\151622-Galv\Trans-1385 x 35'-Warren, VT over Mar River Drawings\1622 AS-BUILT E-24-13.dwg

**SYMBOLS & ABBREVIATIONS**

|                       |                             |
|-----------------------|-----------------------------|
| ES: EACH SIDE         | NS: NEAR SIDE               |
| EQ: EQUAL             | FS: FAR SIDE                |
| CL: CENTERLINE        | WP: WORK POINT              |
| REF: REFERENCE        | GA: GAUGE                   |
| CHK: CHECK            | ID: INSIDE DIAMETER         |
| O/O: OUT TO OUT       | OD: OUTSIDE DIAMETER        |
| C/C: CENTER TO CENTER | BRG: BEARING                |
| F/F: FACE TO FACE     | TYP: TYPICAL                |
| DA: DIAMETER          | UNO: UNLESS NOTED OTHERWISE |
| R: RADIUS             | ABUT: ABUTMENT              |
|                       | T&B: TOP & BOTTOM           |

DIST. BY: **CONTECH**  
CONSTRUCTION PRODUCTS INC.  
www.contech-cpi.com

FAB. BY: **U.S. BRIDGE**  
BRIDGING AMERICA SINCE 1936

| SUBMITTAL LOG     | DATE     | NO. | DATE    | REVISIONS                            | BY: |
|-------------------|----------|-----|---------|--------------------------------------|-----|
| INITIAL SUBMITTAL | 12/18/12 | ▲   | 5/15/13 | FLOOR BEAM END PLATES WAS 1" THK     | TLB |
| RESUBMITTAL NO. 2 | 2/5/13   | ▲   | 5/15/13 | ADDED 2" DIA. RAT HOLES IN fb1 & fb9 | TLB |
| CUSTOMER APPROVAL | 2/13/13  | ▲   | 5/15/13 | CHANGED WELD WAS 3/8" ALL AROUND     | TLB |
| SHOP REVIEW       | -        | ▲   | 5/15/13 | CHANGED BOLT PATTERN                 | TLB |
| PRE FAB MTG       | -        | ▲   | 5/15/13 | WAS 2" EDGE DISTANCE                 | TLB |
| APPROVED FOR FAB  | 2/28/13  | ▲   | 6/3/13  | DIMENSIONAL ERRORS                   | TLB |

00000001.jpg

TOWN OF WARREN, VT  
COUNTY OF WASHINGTON  
BRIDGE NO.173 REPLACEMENT  
WARREN, VT

|             |           |                 |            |                             |
|-------------|-----------|-----------------|------------|-----------------------------|
| DESIGN: SAF | DRAW: TLB | REVIEW: SAF/RLI | CHECK: CJG | ITEM NO.:                   |
|             |           |                 |            | PROJECT NO.: BRF 013-4 (14) |
|             |           |                 |            | REFERENCE NO.:              |
|             |           |                 |            | BRIDGE NO.: 173             |
|             |           |                 |            | STRUCTURAL FILE NO.:        |