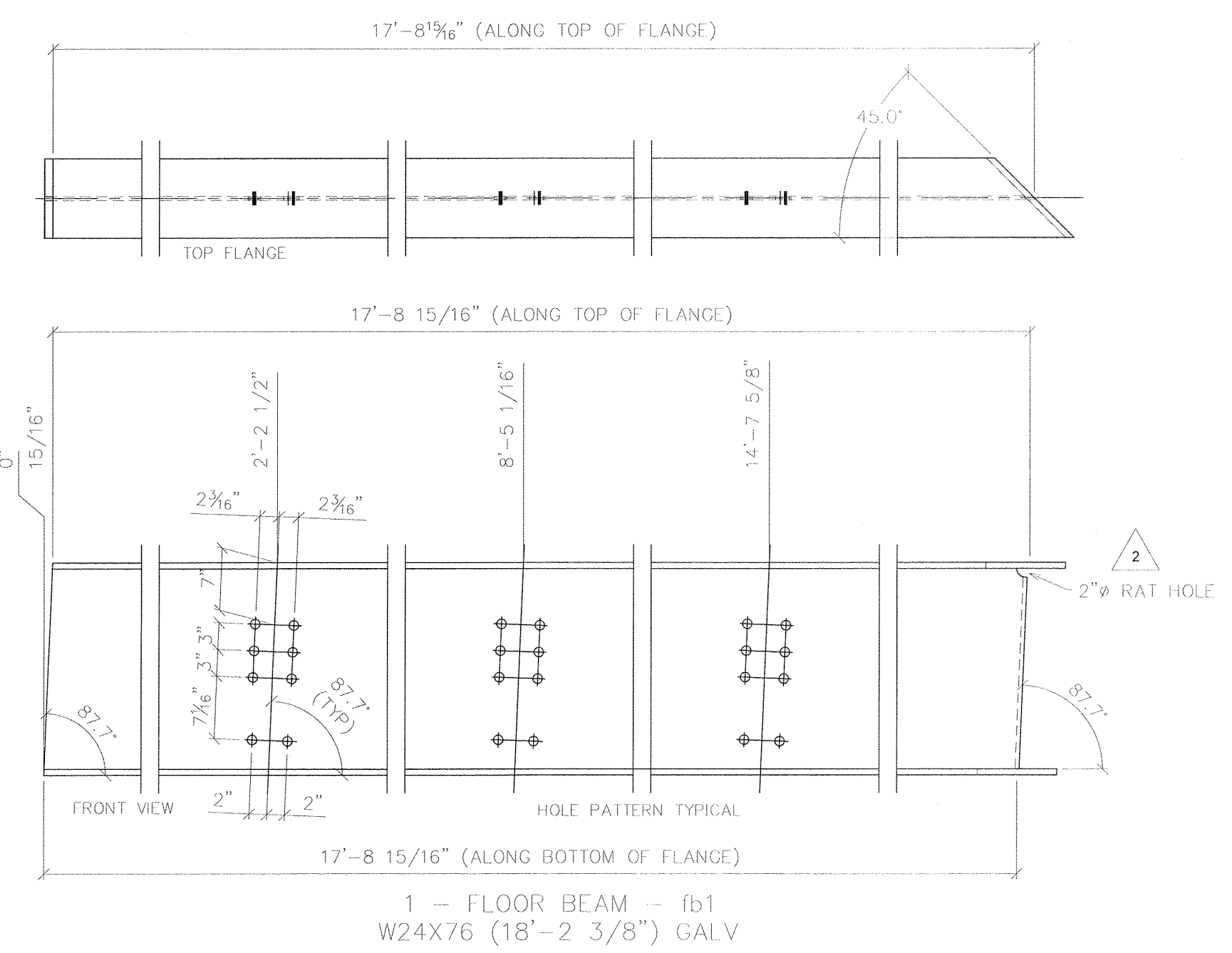
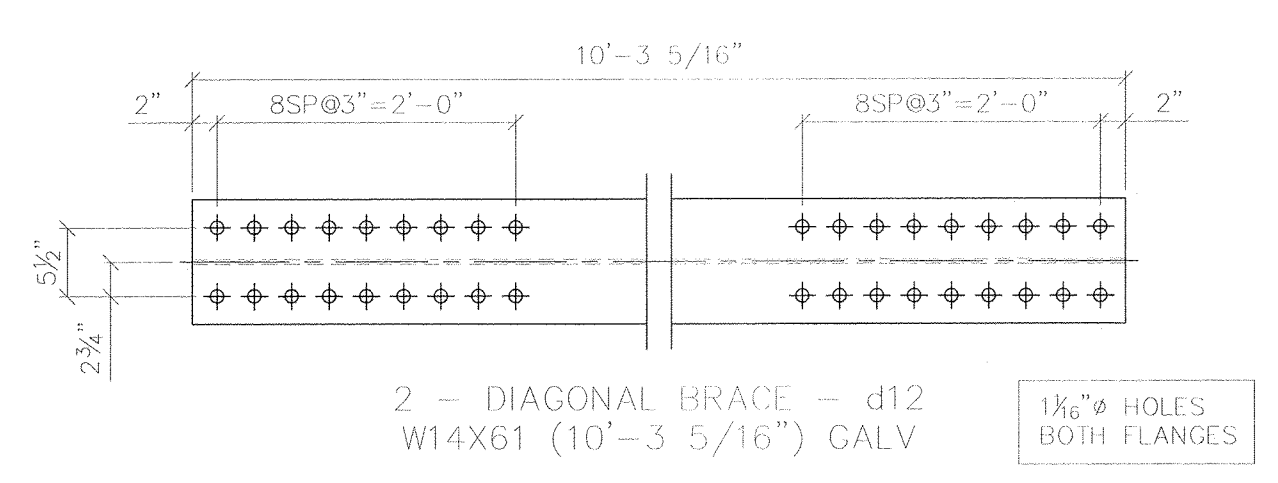
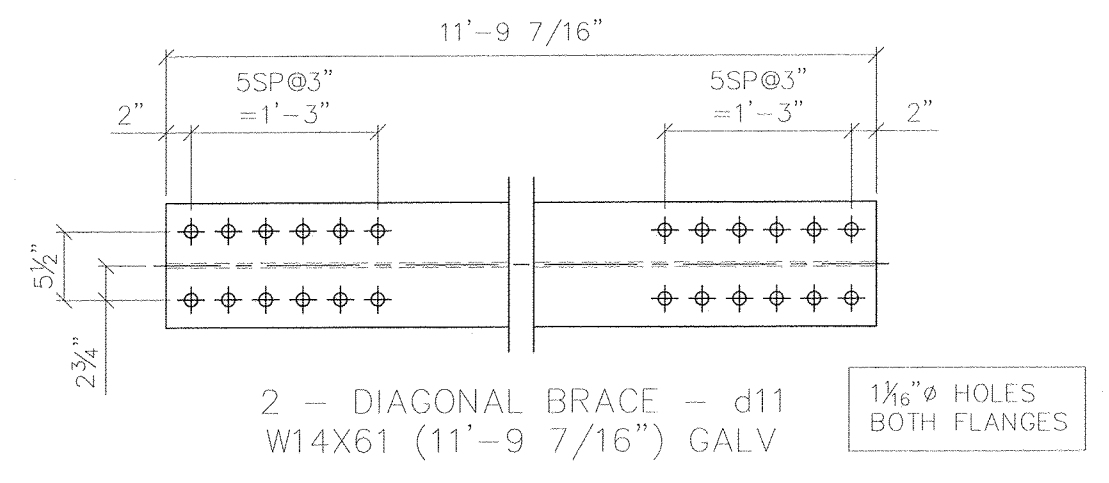
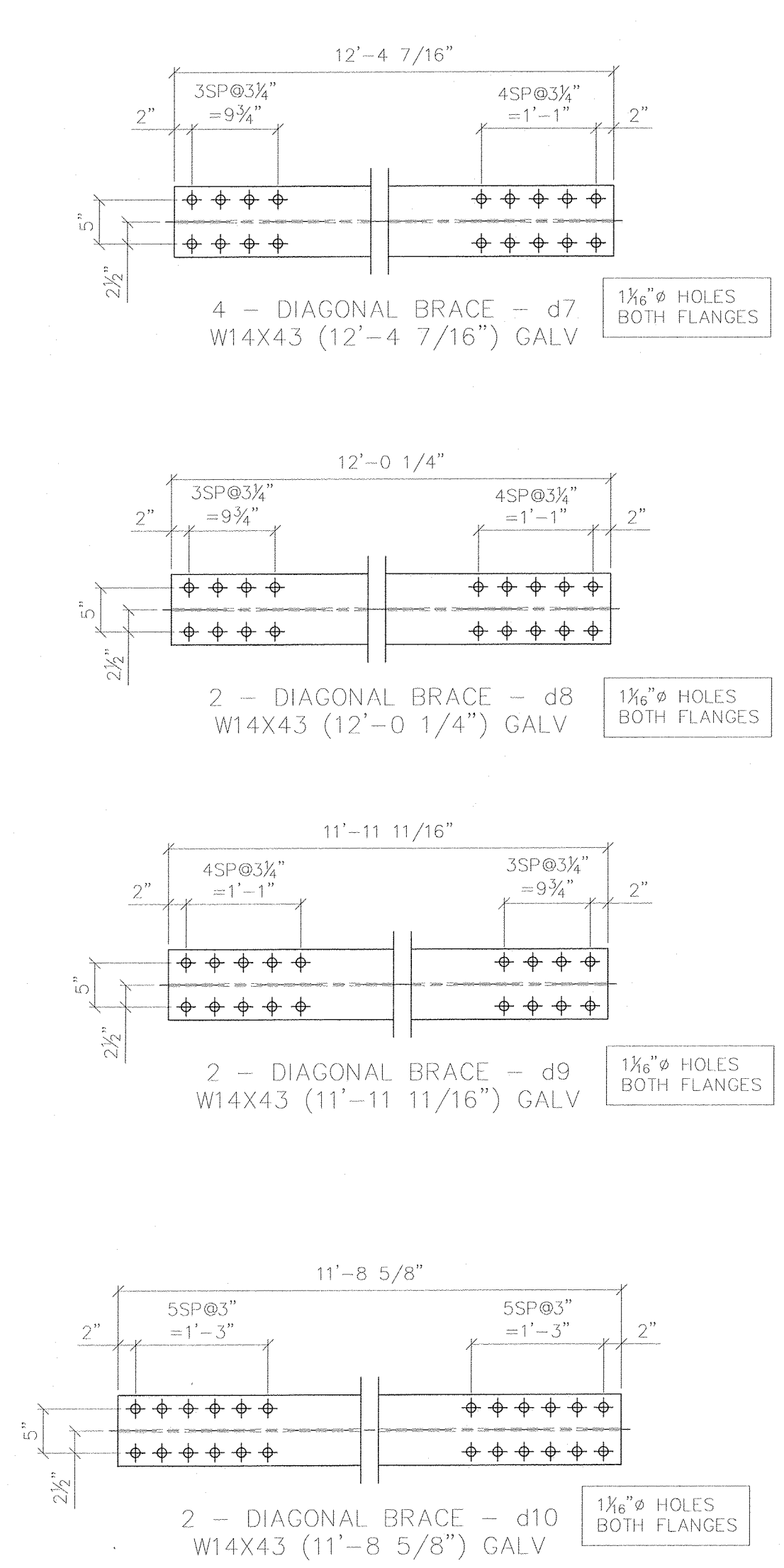


DATE PLOTTED: June 24, 2013



1/8" HOLES UNO

RECORD DWGS
AS FABRICATED

S:\PROJECTS\MONTICELLO\1622\1622.dwg; T:\Users\13051\35\Warren_VT\over Mar Rivet\Drawings\1622 AS-BUILT 6-24-13.dwg

SYMBOLS & ABBREVIATIONS

ES: EACH SIDE	NS: NEAR SIDE
EQ: EQUAL	FS: FAR SIDE
CP: CENTERLINE	WP: WORK POINT
REF: REFERENCE	GA: GAUGE
CHK: CHECK	ID: INSIDE DIAMETER
O/C: OUT TO OUT	OD: OUTSIDE DIAMETER
C/C: CENTER TO CENTER	BRG: BEARING
F/F: FACE TO FACE	TYP: TYPICAL
Ø: DIAMETER	UNO: UNLESS NOTED OTHERWISE
R: RADIUS	ABT: ABUTMENT
	T&B: TOP & BOTTOM

DIST. BY:



SUBMITTAL LOG	DATE	NO.	DATE	REVISIONS	BY:
INITIAL SUBMITTAL	12/18/12	▲	5/15/13	FLOOR BEAM END PLATES WAS 1" THK	TLB
RESUBMITTAL NO. 2	2/5/13	▲	5/15/13	ADDED 2" DIA. RAT HOLES IN fb1 & fb9	TLB
CUSTOMER APPROVAL	2/13/13	▲	5/15/13	CHANGED WELD WAS 3/8" ALL AROUND	TLB
SHOP REVIEW	-	▲	5/15/13	CHANGED BOLT PATTERN	TLB
PRE FAB MTG	-	▲	5/15/13	WAS 2" EDGE DISTANCE	TLB
APPROVED FOR FAB	2/28/13	▲	6/3/13	DIMENSIONAL ERRORS	TLB

00000001.jpg

TOWN OF WARREN, VT
COUNTY OF WASHINGTON
BRIDGE NO.173 REPLACEMENT
WARREN, VT

DESIGN: SAF	DRAW: TLB	REVIEW: SAF/RLI	CHECK: CJG
ITEM NO.:		PROJECT NO.: BRF 013-4 (14)	
REFERENCE NO.:		BRIDGE NO.: 173	
STRUCTURAL FILE NO.:		JOB# 51622	
9c		58	