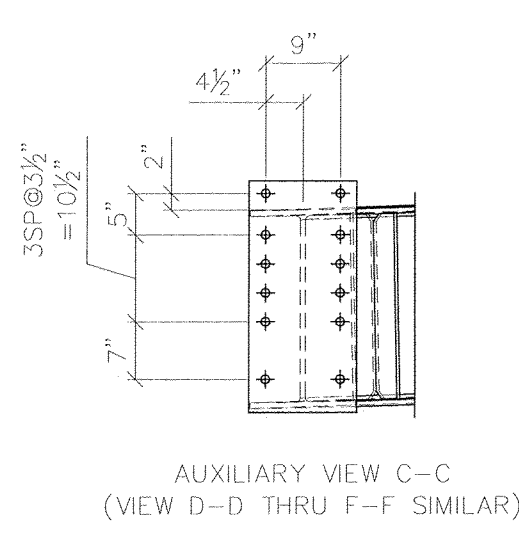
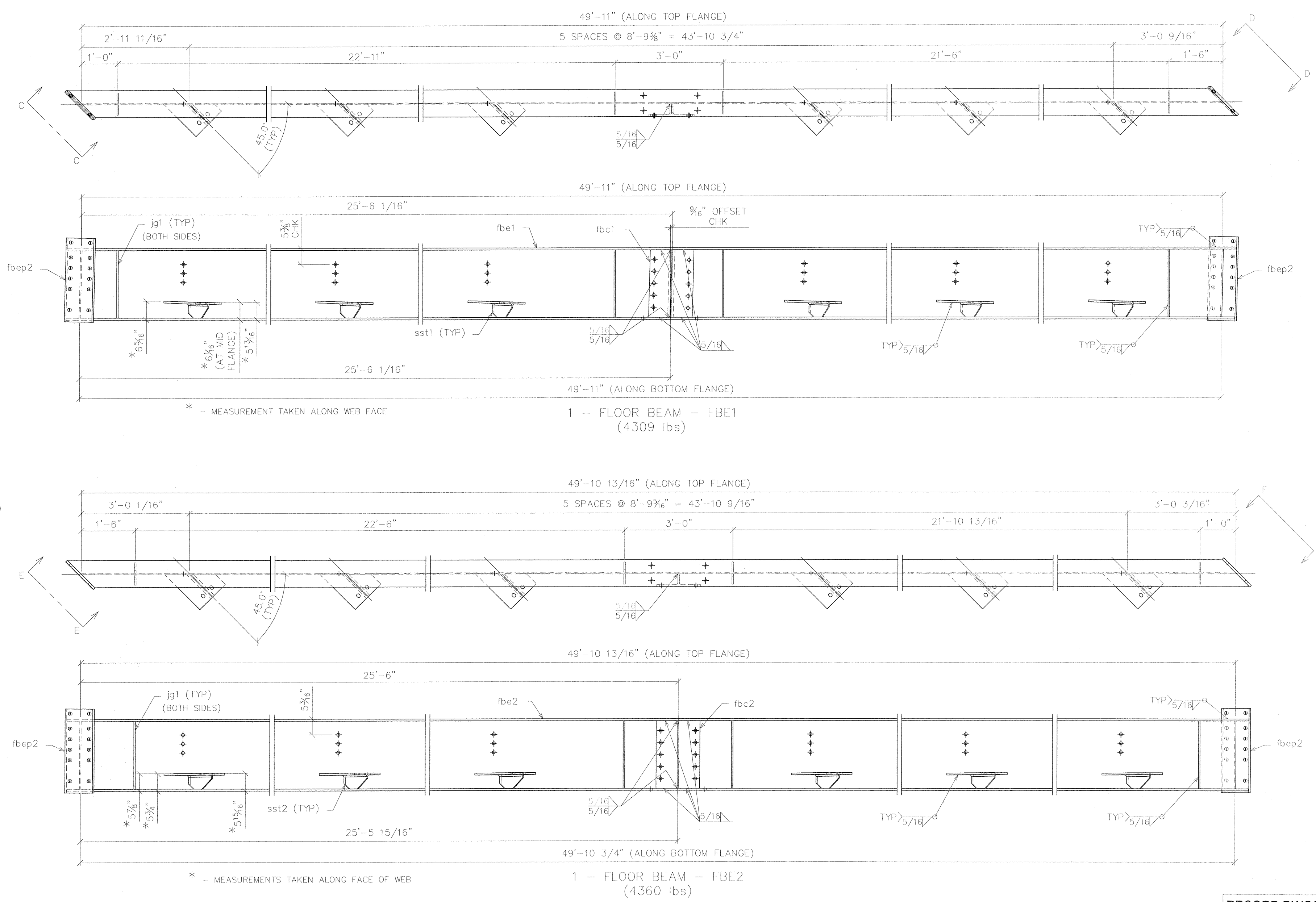


DATE PLOTTED: June 24, 2013



RECORD DWGS
AS FABRICATED
6/24/13

SYMBOLS & ABBREVIATIONS
 ES: EACH SIDE
 EQ: EQUAL
 CL: CENTERLINE
 REF: REFERENCE
 CHK: CHECK
 O: OUT TO OUT
 C: CENTER TO CENTER
 F: FACE TO FACE
 DIA: DIAMETER
 R: RADIUS
 NS: NEAR SIDE
 FS: FAR SIDE
 WP: WORK POINT
 GA: GAUGE
 ID: INSIDE DIAMETER
 OD: OUTSIDE DIAMETER
 BRG: BEARING
 TYP: TYPICAL
 UNO: UNLESS NOTED OTHERWISE
 ABUT: ABUTMENT
 T&B: TOP & BOTTOM

DIST. BY: **CONTECH** CONSTRUCTION PRODUCTS INC.
 FAB. BY: **U.S. BRIDGE** BRIDGING AMERICA SINCE 1936

SUBMITTAL LOG	DATE	NO.	DATE	REVISIONS:	BY:
INITIAL SUBMITTAL	12/18/12	1	5/15/13	FLOOR BEAM END PLATES WAS 1" THK	TLB
RESUBMITTAL NO. 2	2/6/13	2	5/15/13	ADDED 2" DIA. RAT HOLES IN fb1 & fb9	TLB
CUSTOMER APPROVAL	2/13/13	3	5/15/13	CHANGED WELD WAS 5/16" ALL AROUND	TLB
SHOP REVIEW	-	4	5/15/13	CHANGED BOLT PATTERN	TLB
PRE FAB MTG	-	5	5/15/13	WAS 2" EDGE DISTANCE	TLB
APPROVED FOR FAB	2/28/13	6	6/3/13	DIMENSIONAL ERRORS	TLB

00000001.jpg

TOWN OF WARREN, VT
 COUNTY OF WASHINGTON
 BRIDGE NO. 173 REPLACEMENT
 WARREN, VT

ITEM NO.:
 PROJECT NO.: BRF 013-4 (14)
 REFERENCE NO.:
 BRIDGE NO.: 173
 STRUCTURAL FILE NO.:

DESIGN: SAF	DRAW: TLB	REVIEW: SAF/RLI	CHECK: C/JG	DATE: 5/16/13
SHOP DETAILS		SHOP ASSEMBLY		USB JOB# 51622

8e 58

S:\DESIGN\PROJECTS\151622-Cabin Trail\151622-Cabin Trail.dwg