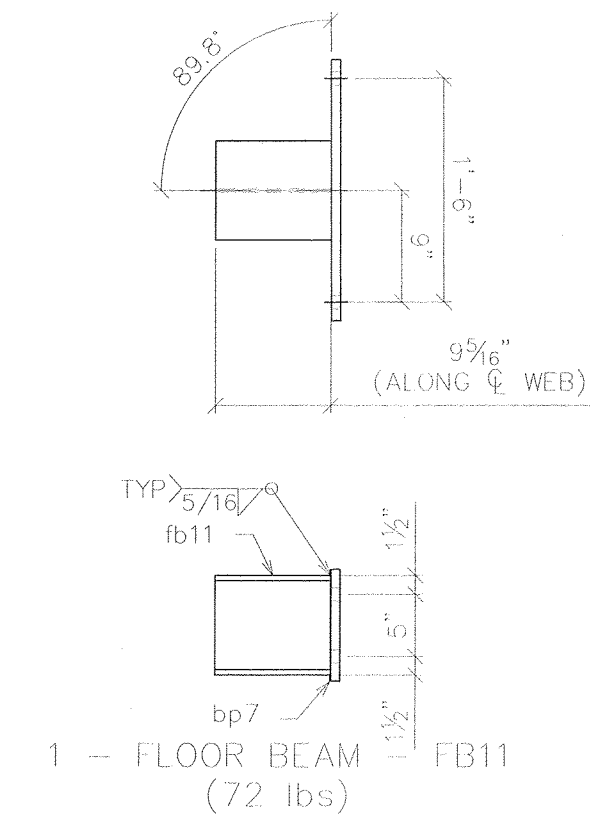
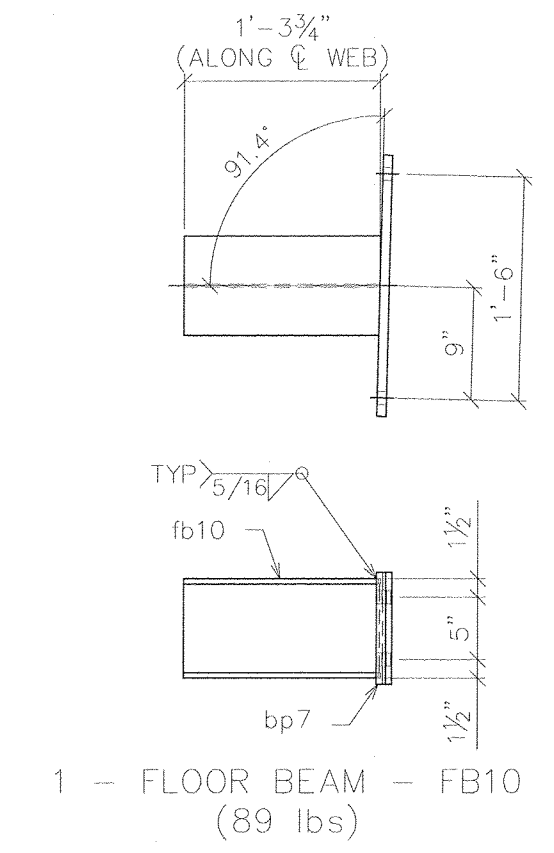
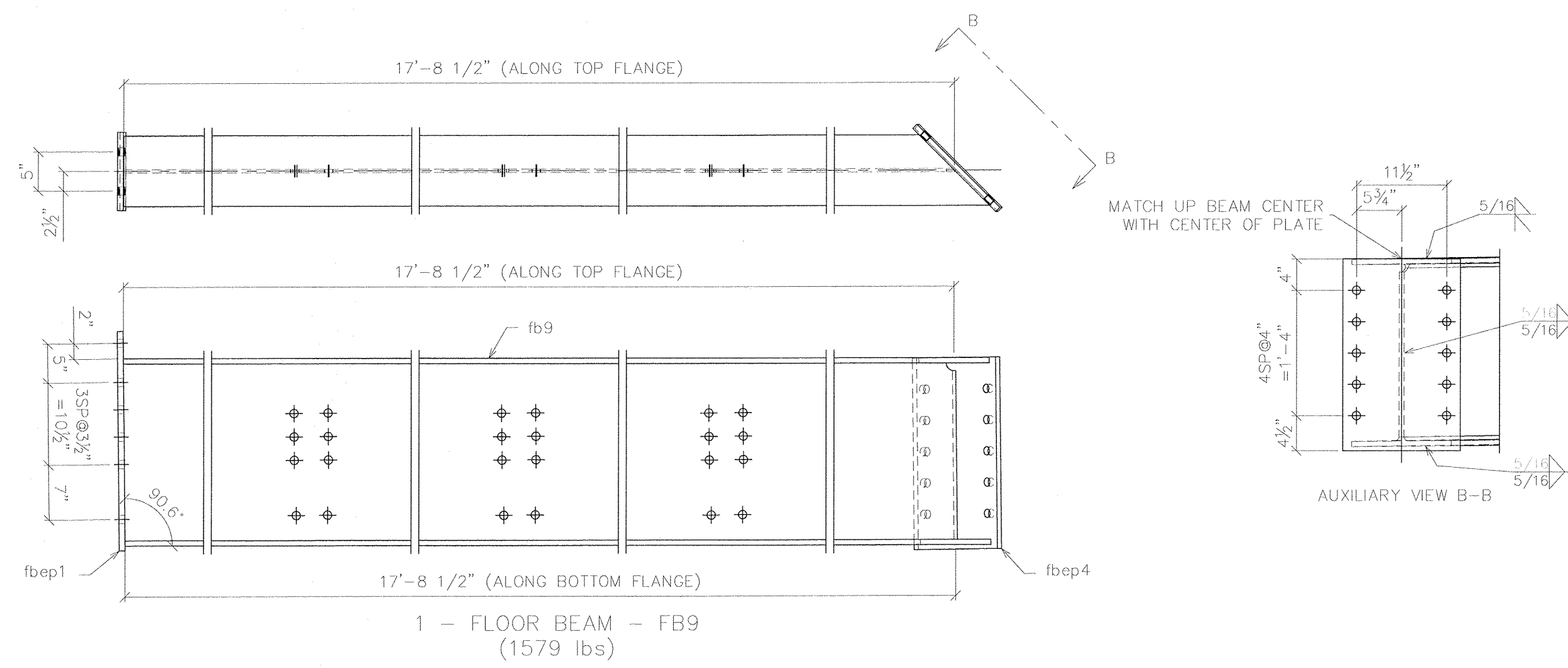


DATE PLOTTED: June 24, 2013



RECORD DWGS  
AS FABRICATED  
6/24/13

**SYMBOLS & ABBREVIATIONS**

ES: EACH SIDE	NS: NEAR SIDE
EQ: EQUAL	FS: FAR SIDE
CL: CENTERLINE	WP: WORK POINT
REF: REFERENCE	GA: GAUGE
CHK: CHECK	ID: INSIDE DIAMETER
OC: OUT TO OUT	OD: OUTSIDE DIAMETER
CC: CENTER TO CENTER	BRG: BEARING
FF: FACE TO FACE	TYP: TYPICAL
DIAM: DIAMETER	UNO: UNLESS NOTED OTHERWISE
R: RADIUS	ABUT: ABUTMENT
	T&B: TOP & BOTTOM

DIST. BY: **CONTECH**  
CONSTRUCTION PRODUCTS INC.  
www.contech-cpi.com

FAB. BY: **U.S. BRIDGE**  
BRIDGING AMERICA SINCE 1934

SUBMITTAL LOG	DATE	NO.	DATE	REVISIONS	BY
INITIAL SUBMITTAL	12/18/12	▲	5/15/13	FLOOR BEAM END PLATES WAS 1" THK	TLB
RESUBMITTAL NO. 2	2/6/13	▲	5/15/13	ADDED 2" DIA. RAT HOLES IN fb1 & fb9	TLB
CUSTOMER APPROVAL	2/13/13	▲	5/15/13	CHANGED WELD WAS 5/16" ALL AROUND	TLB
SHOP REVIEW	-	▲	5/15/13	CHANGED BOLT PATTERN	TLB
PRE FAB MTG	-	▲	5/15/13	WAS 2" EDGE DISTANCE	TLB
APPROVED FOR FAB	2/28/13	▲	6/3/13	DIMENSIONAL ERRORS	TLB

00000001.jpg

TOWN OF WARREN, VT  
COUNTY OF WASHINGTON  
BRIDGE NO.173 REPLACEMENT  
WARREN, VT

DESIGN: SAF	DRAW: TLB	REVIEW: SAF/RLI	CHECK: C/JG	SHEET NO. <b>8d</b>	TOTAL <b>58</b>
SHOP DETAILS		SHOP ASSEMBLY		JOB# 51622	

S:\JOB\SERV\MONT1622.dwg - Truss-1985 x 35'-Warren.VT over Mad River\Drawings\1622 AS-BUILT 6-24-13.dwg