

DATE PLOTTED: June 24, 2013

S:\PROJECTS\1622-02-01\Drawings\1622-AS-BUILD-0-24-13.dwg

SYMBOLS & ABBREVIATIONS

NS: NEAR SIDE
FS: FAR SIDE
EQ: EQUAL
CL: CENTERLINE
REF: REFERENCE
CHK: CHECK
O/C: OUT TO OUT
C/C: CENTER TO CENTER
F/F: FACE TO FACE
DIA: DIAMETER
R: RADIUS

NS: NEAR SIDE
FS: FAR SIDE
WP: WORK POINT
GA: GAUGE
ID: INSIDE DIAMETER
OD: OUTSIDE DIAMETER
BRG: BEARING
TYP: TYPICAL
UNO: UNLESS NOTED OTHERWISE
ADJ: ADJUSTMENT
T&B: TOP & BOTTOM

DIST. BY: **CONTECH**
CONSTRUCTION PRODUCTS INC.
www.contech-cpi.com

FAB. BY: **U.S. BRIDGE**
BRIDGING AMERICA SINCE 1916

SUBMITTAL LOG	DATE	NO.	DATE	REVISIONS:	BY:
INITIAL SUBMITTAL	12/18/12	1	5/15/13	FLOOR BEAM END PLATES WAS 1" THK	TLB
RESUBMITTAL NO. 2	2/5/13	2	5/15/13	ADDED 2" DIA. RAT HOLES IN fb1 & fb9	TLB
CUSTOMER APPROVAL	2/13/13	3	5/15/13	CHANGED WELD WAS 3/16" ALL AROUND	TLB
SHOP REVIEW	-	4	5/15/13	CHANGED BOLT PATTERN	TLB
PRE FAB MTG	-	5	5/15/13	WAS 2" EDGE DISTANCE	TLB
APPROVED FOR FAB	2/28/13	6	6/3/13	DIMENSIONAL ERRORS	TLB

00000001.jpg

TOWN OF WARREN, VT
COUNTY OF WASHINGTON
BRIDGE NO. 173 REPLACEMENT
WARREN, VT

ITEM NO.:
PROJECT NO.: BRF 013-4 (14)
REFERENCE NO.:
BRIDGE NO.: 173
STRUCTURAL FILE NO.:

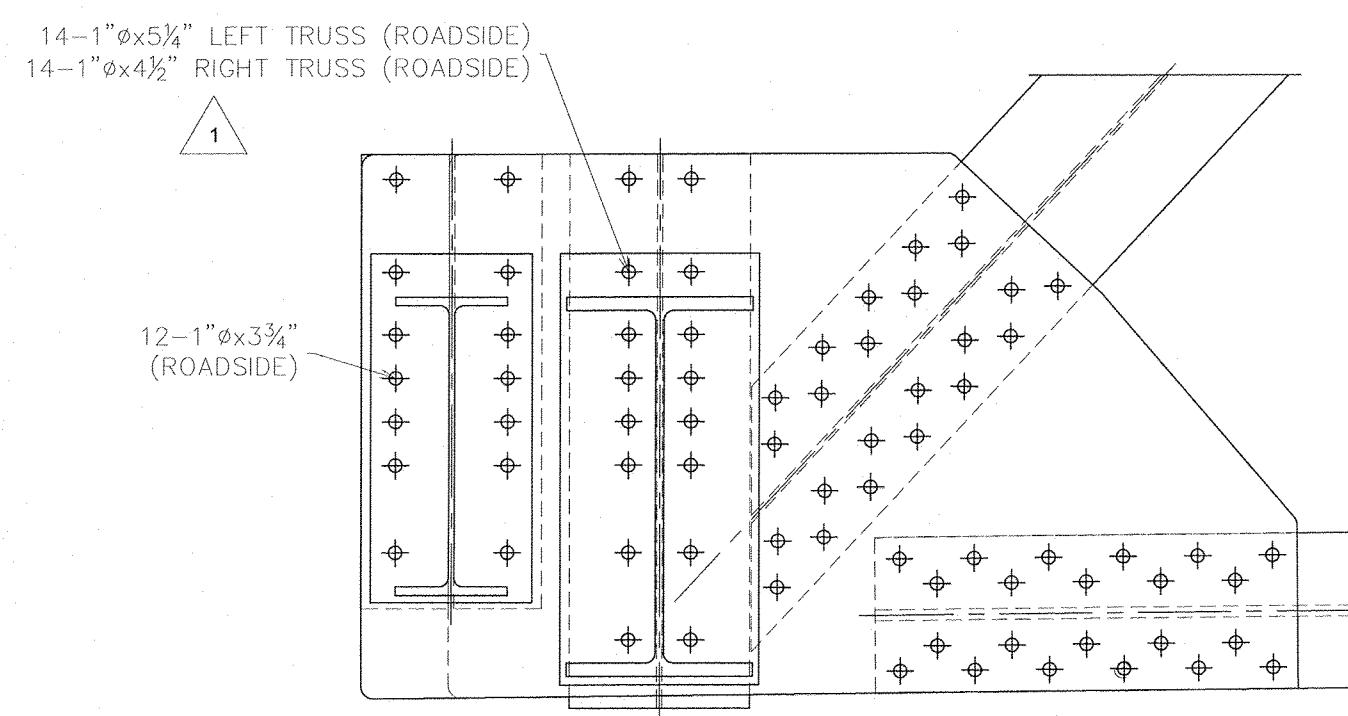
DESIGN: SAF DRAW: TLB REVIEW: SAF/RLI CHECK: CJG

CONSTRUCTION PLANS FIELD ASSEMBLY USB JOB# 51622

RECORD DWGS
AS FABRICATED

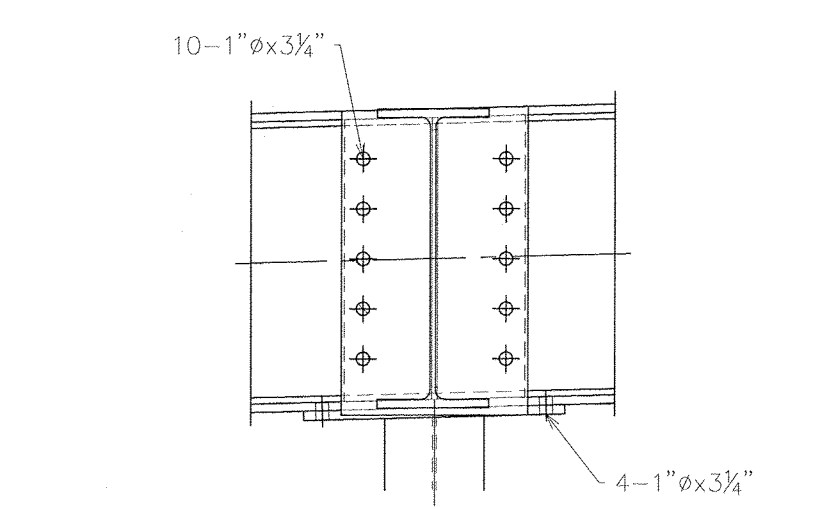
6/24/13

SHEET 5a OF 58



L1 FIELD BOLTING

- L3, L7, & L13 10-1" x 4"
- L5 LEFT TRUSS 10-1" x 5"
- L5 RIGHT TRUSS 10-1" x 4 1/2"
- L9 LEFT TRUSS 10-1" x 4 1/2"
- L9 RIGHT TRUSS 10-1" x 5"
- L11 LEFT TRUSS 10-1" x 4 1/4"
- L11 RIGHT TRUSS 10-1" x 5 1/4"
- L15 10-1" x 3 3/4" (ALL ROADSIDE)



TYPICAL FLOOR BEAM TO END FLOOR BEAM

