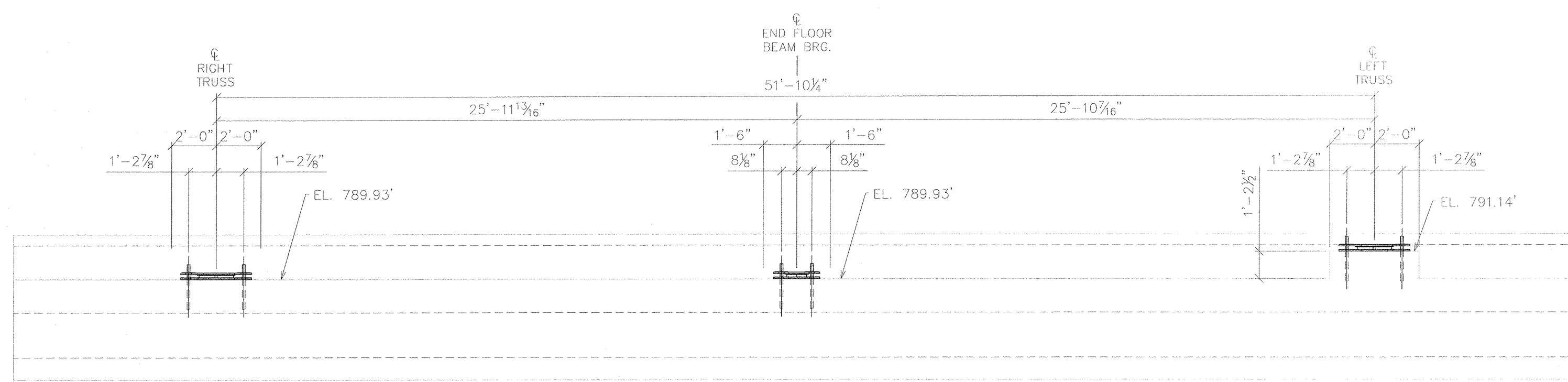
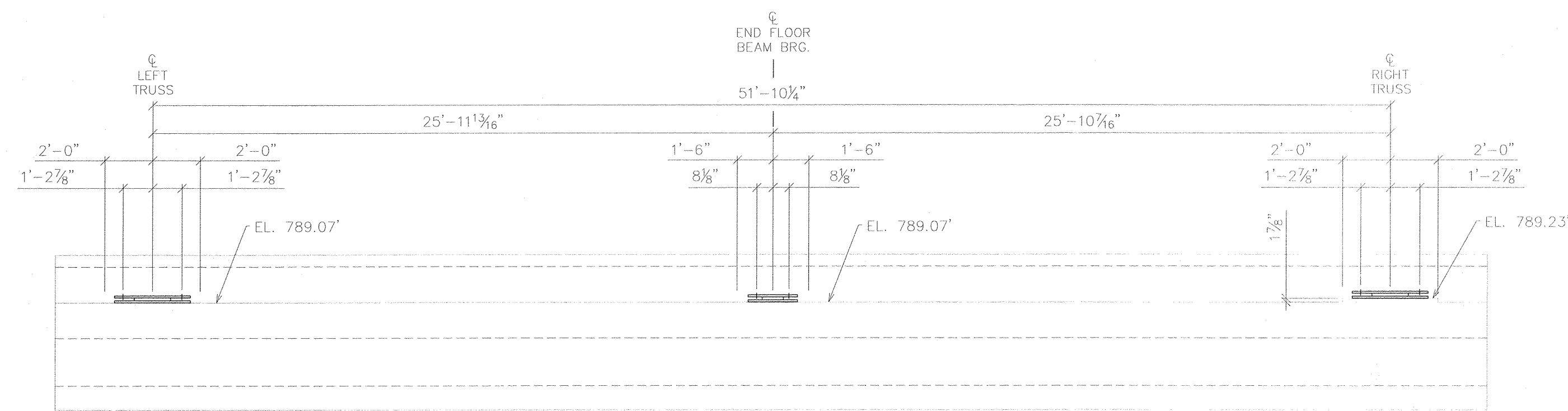


DATE PLOTTED: June 24, 2013



ABUTMENT 1 ELEVATIONS
(LOOKING DOWN STATION)



ABUTMENT 2 ELEVATIONS
(LOOKING UP STATION)

NOTES:

1. MAINTAIN BEARING SEAT ELEVATIONS
2. EXTERIOR CONTOUR OF ABUTMENTS ARE SHOWN AS REPRESENTATION. SEE CONTRACT DRAWINGS FOR FORMING.

RECORD DWGS
AS FABRICATED

6/24/13

S:\DESIGN\PROJECTS\1622\Chp\Truss\1389 x 35\Warren_VT over Mad River\Drawings\1622_AB-BUILT_6-24-13.dwg

SYMBOLS & ABBREVIATIONS		DIST. BY:		SUBMITTAL LOG		DATE		NO.		DATE		REVISIONS:		BY:		TOWN OF WARREN, VT		ITEM NO.:	
ES: EACH SIDE	NS: NEAR SIDE	CONTECH		INITIAL SUBMITTAL	12/18/12	▲	5/15/13	FLOOR BEAM END PLATES WAS 1" THK	TLB	00000001.jpg		COUNTY OF WASHINGTON		PROJECT NO.: BRF 013-4 (14)		WARREN, VT		BRIDGE NO.: 173	
EQ: EQUAL	FS: FAR SIDE	CONSTRUCTION PRODUCTS INC.		RESUBMITTAL NO. 2	2/5/13	▲	5/15/13	ADDED 2" DIA. RAT HOLES IN fb1 & fb9	TLB			WARREN, VT		REFERENCE NO.:		STRUCTURAL FILE NO.:			
CL: CENTERLINE	WP: WORK POINT	www.contechcp.com		CUSTOMER APPROVAL	2/13/13	▲	5/15/13	CHANGED WELD WAS 3/8" ALL AROUND	TLB			DESIGN: SAF		DRAW: TLB		REVIEW: SAF/RL		CHECK: CJG	
REF: REFERENCE	GA: GAUGE	FAB. BY:		SHOP REVIEW	-	▲	5/15/13	CHANGED BOLT PATTERN	TLB			CONSTRUCTION PLANS		ABUTMENTS		USB JOB#		51622	
CHK: CHECK	ID: INSIDE DIAMETER	U.S. BRIDGE		PRE FAB MTG	-	▲	5/15/13	WAS 2" EDGE DISTANCE	TLB			APPROVED FOR FAB		2/28/13		6/3/13		DIMENSIONAL ERRORS	
O/O: OUT TO OUT	OD: OUTSIDE DIAMETER	BRIDGING AMERICA SINCE 1918		APPROVED FOR FAB	2/28/13	▲	6/3/13	DIMENSIONAL ERRORS	TLB			DESIGN: SAF		DRAW: TLB		REVIEW: SAF/RL		CHECK: CJG	
C/C: CENTER TO CENTER	BRG: BEARING											CONSTRUCTION PLANS		ABUTMENTS		USB JOB#		51622	
F/F: FACE TO FACE	TYP: TYPICAL											DESIGN: SAF		DRAW: TLB		REVIEW: SAF/RL		CHECK: CJG	
DIA: DIAMETER	UNO: UNLESS NOTED OTHERWISE											CONSTRUCTION PLANS		ABUTMENTS		USB JOB#		51622	
R: RADIUS	ASUT: ABUTMENT											CONSTRUCTION PLANS		ABUTMENTS		USB JOB#		51622	
	T&B: TOP & BOTTOM											CONSTRUCTION PLANS		ABUTMENTS		USB JOB#		51622	