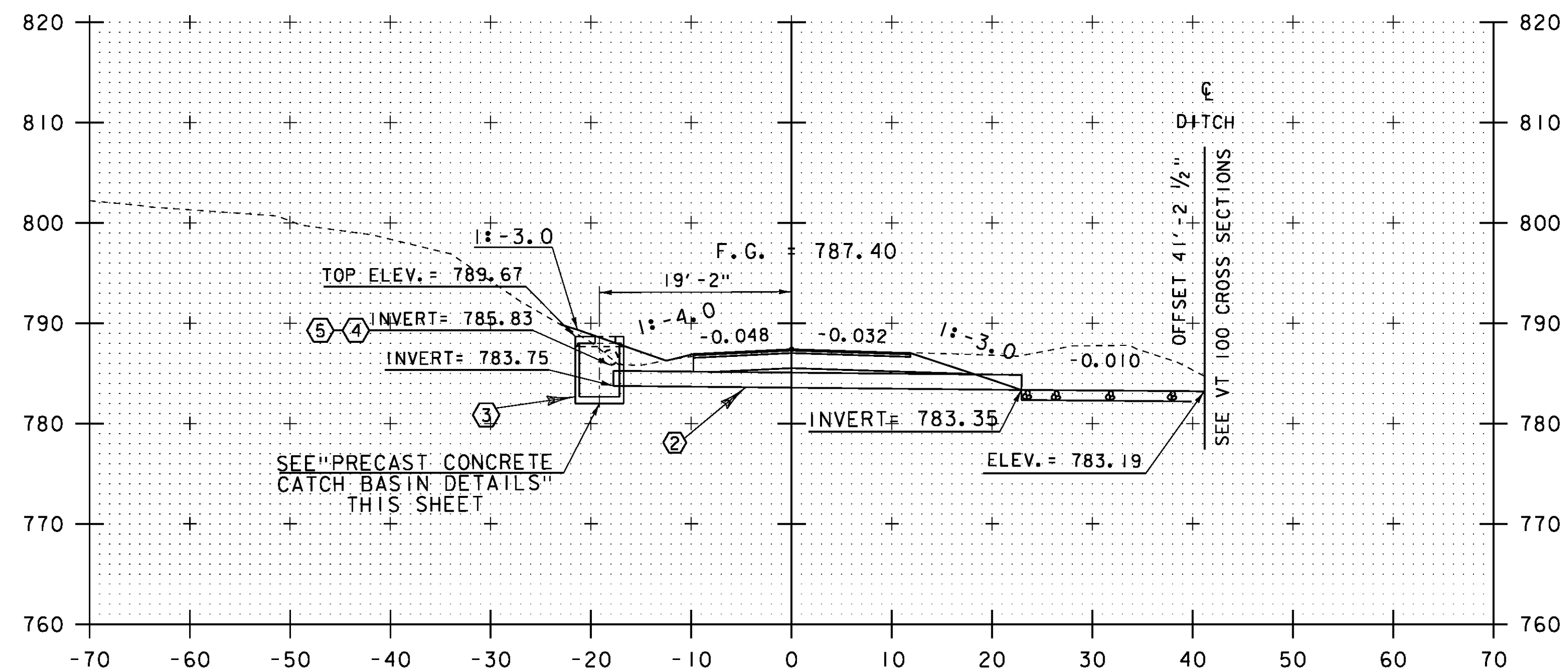
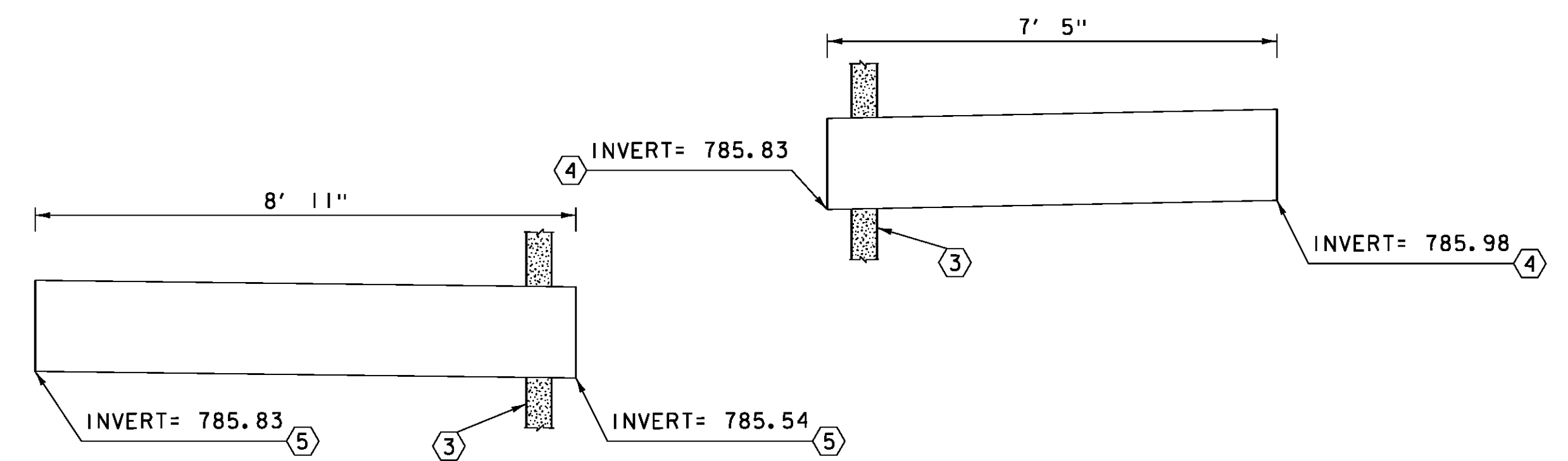


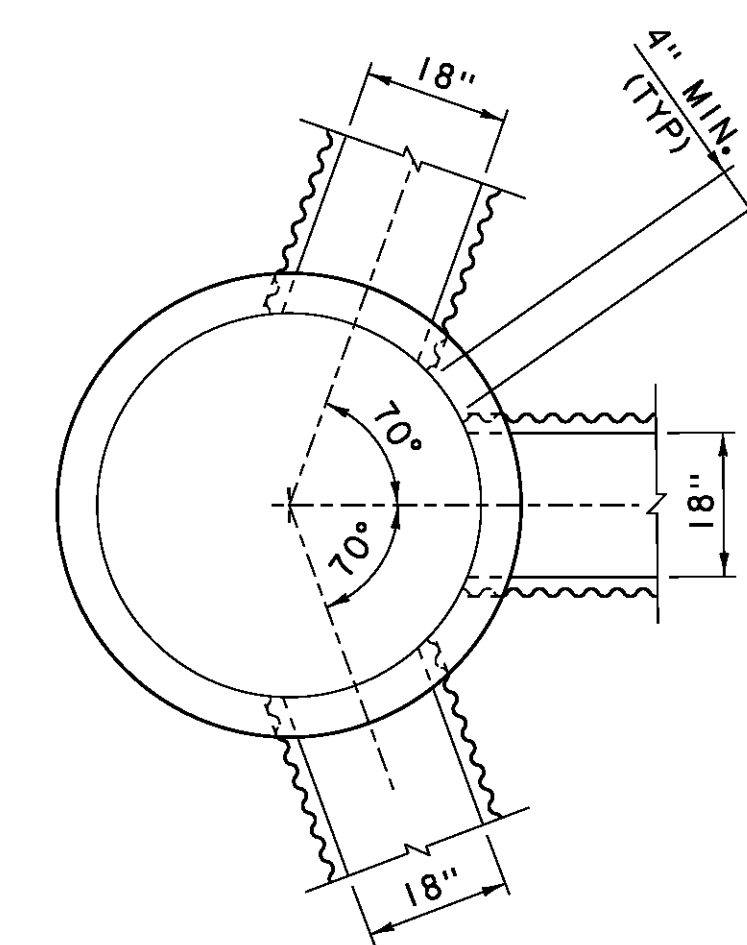
401+00



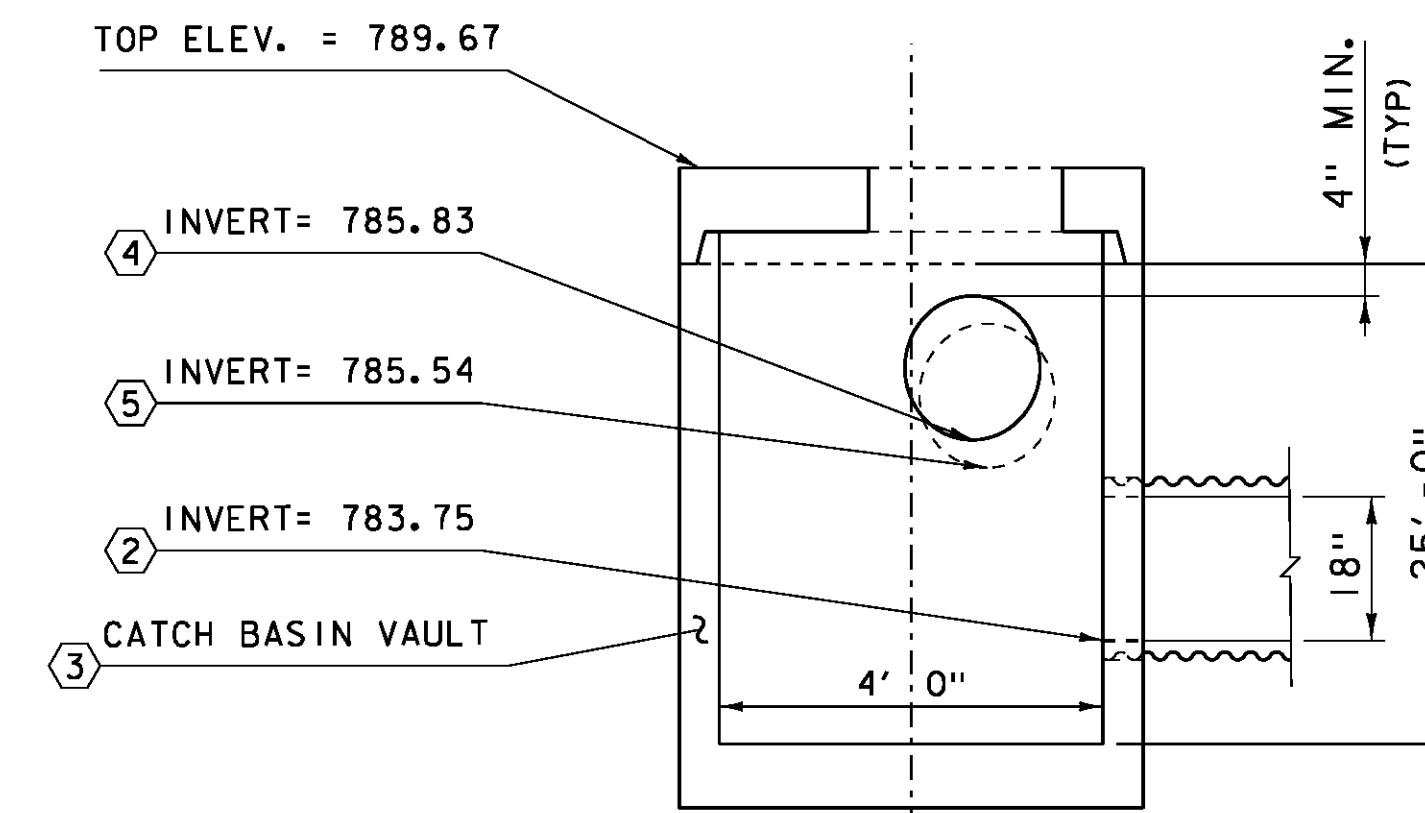
400+87



PIPE PROFILES NOTES 4 & 5



PLAN



ELEVATION

PRECAST CONCRETE CATCH BASIN DETAILS

SCALE 1/2" = 1'-0"

SCALE 1" = 10'-0"

STA. 400+87 TO STA. 401+00

PROJECT NAME: WARREN  
PROJECT NUMBER: BRF 013-4(14)

FILE NAME: s78f242xs.dgn  
PROJECT LEADER: J. LACROIX  
DESIGNED BY: U. STANLEY  
TH 41 CROSS SECTION SHEET 2

PLOT DATE: 27-JUL-2012  
DRAWN BY: G. ROKES  
CHECKED BY: U. STANLEY  
SHEET 77 OF 83