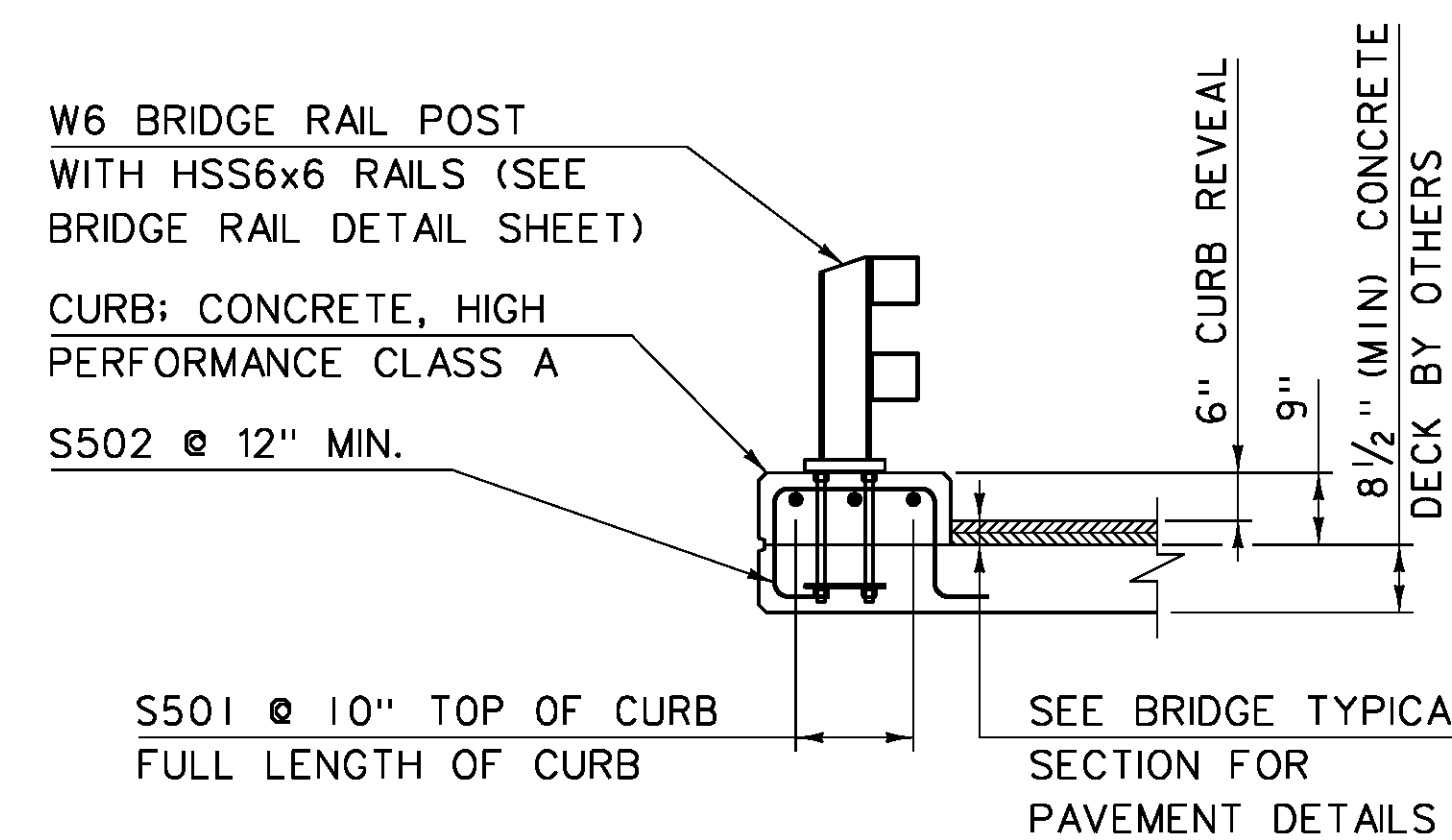


SIDE VIEW FRONT VIEW

MINIMUM TYPICAL HOPPER DETAILS

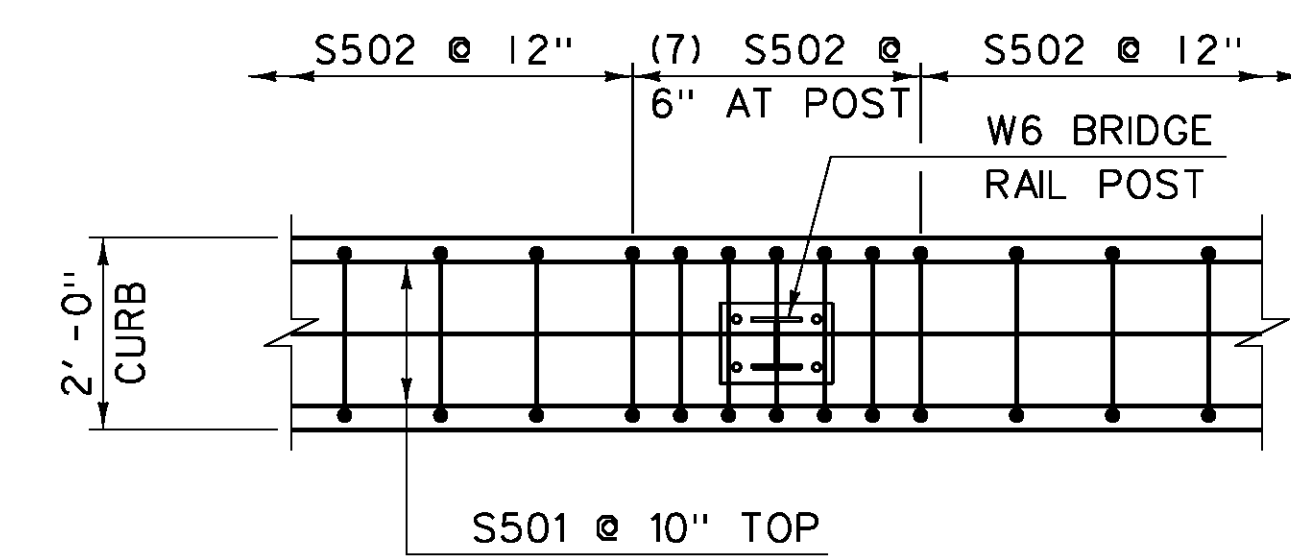
SCALE 1" = 1'-0"

1. DRAINAGE HOPPER AND DOWNSPOUT TO BE DETAILED BY CONTRACTOR.
2. DETAILING, FABRICATION, TRANSPORTATION TO THE SITE AND INSTALLATION OF THE HOPPER AND DOWNSPOUT SHALL BE INCIDENTAL TO ITEM 516.11 BRIDGE EXPANSION JOINT, VERMONT.



DECK CURB REINFORCING TYPICAL SECTION

SCALE 1/2" = 1'-0"



DECK CURB REINFORCING LAYOUT PLAN DETAIL

SCALE 1/2" = 1'-0"

NOTE:

- NF = NEAR FACE
- FF = FAR FACE
- EF = EACH FACE
- ▲ = CUT TO FIT IN FIELD
- 3" CLEAR, UNLESS OTHERWISE SPECIFIED ON THE PLANS.
- 2'-2" BAR LAP UNLESS OTHERWISE SPECIFIED ON THE PLANS.

PROJECT NAME: WARREN	PLOT DATE: 27-JUL-2012
PROJECT NUMBER: BRF 013-4 (14)	DRAWN BY: M.LONGSTREET
FILE NAME: s78f242sup.dgn	CHECKED BY: U. STANLEY
PROJECT LEADER: J.LACROIX	SHEET 57 OF 83
DESIGNED BY: U.STANLEY	
BRIDGE DETAIL SHEET	