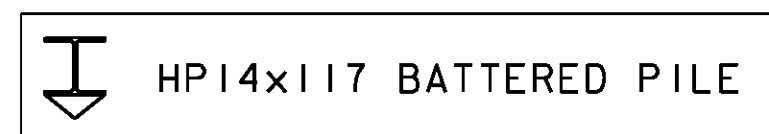
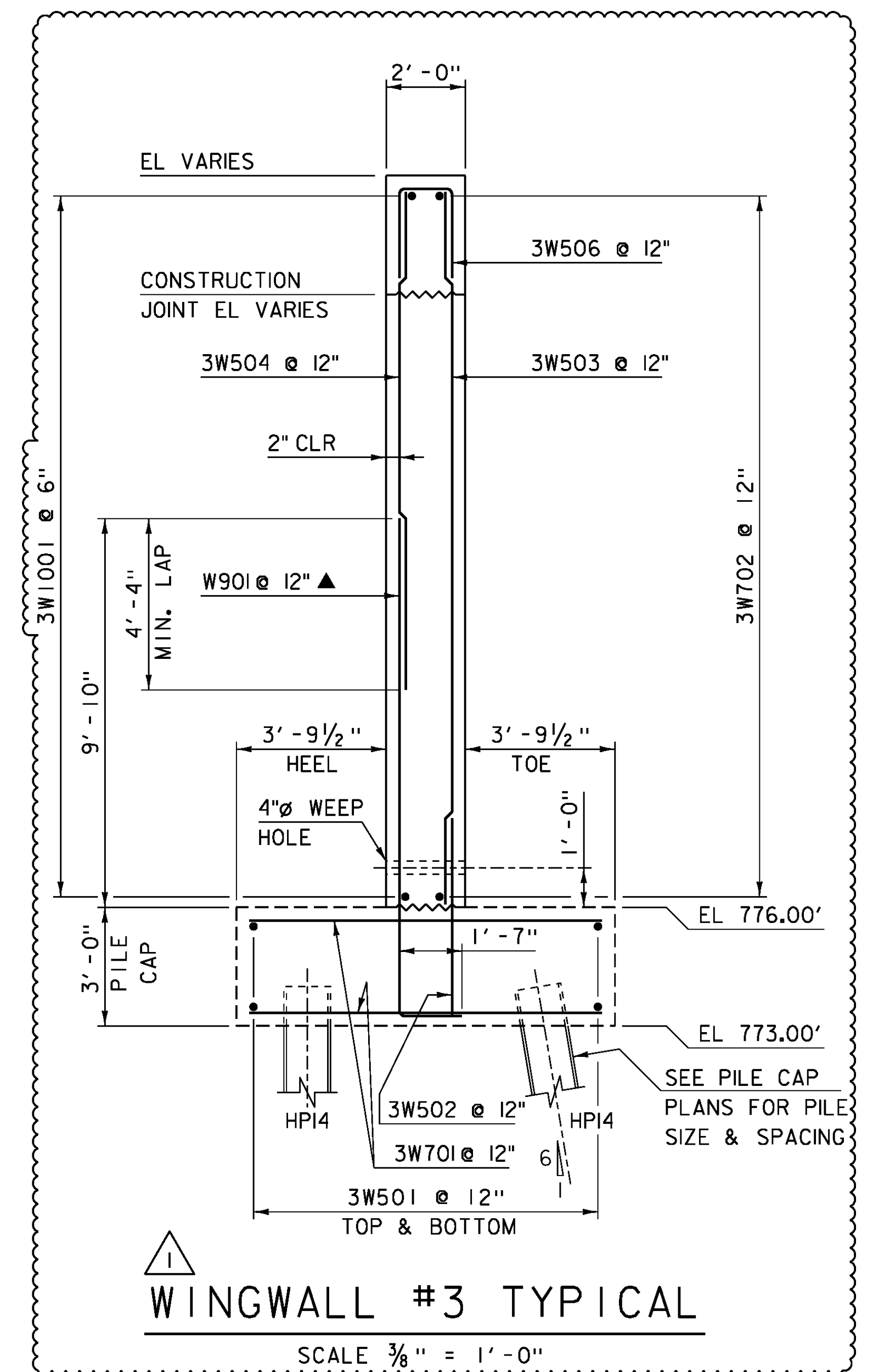


**ABUTMENT #2 PILE CAP PLAN**

SCALE 1/4" = 1'-0"



• PILES 38 & 39 ARE TO BE BATTERED IN THE NW DIRECTION AT ION 6 TO AVOID UTILITY LINE



**WINGWALL #3 TYPICAL**

SCALE 3/8" = 1'-0"

**NOTE:**  
 NF = NEAR FACE  
 FF = FAR FACE  
 EF = EACH FACE  
 Δ = CUT TO FIT IN FIELD  
 3" CLEAR, UNLESS OTHERWISE SPECIFIED ON THE PLANS.  
 2'-2" BAR LAP UNLESS OTHERWISE SPECIFIED ON THE PLANS.

PROJECT NAME:	WARREN
PROJECT NUMBER:	BRF 013-4 (14)
FILE NAME:	s78f242sub.dgn
PROJECT LEADER:	J.LACROIX
DESIGNED BY:	U.STANLEY
ABUTMENT #2 PILE CAP PLAN	
PLOT DATE:	07-MAR-2013
DRAWN BY:	M.LONGSTREET
CHECKED BY:	U. STANLEY
SHEET	55 OF 83

REVISION	DATE	DESCRIPTION	BY
1	01-25-2013	REMOVE 11' OF FOOTING & (4) PILES & REVISED REBAR FOR WW#3	MCL