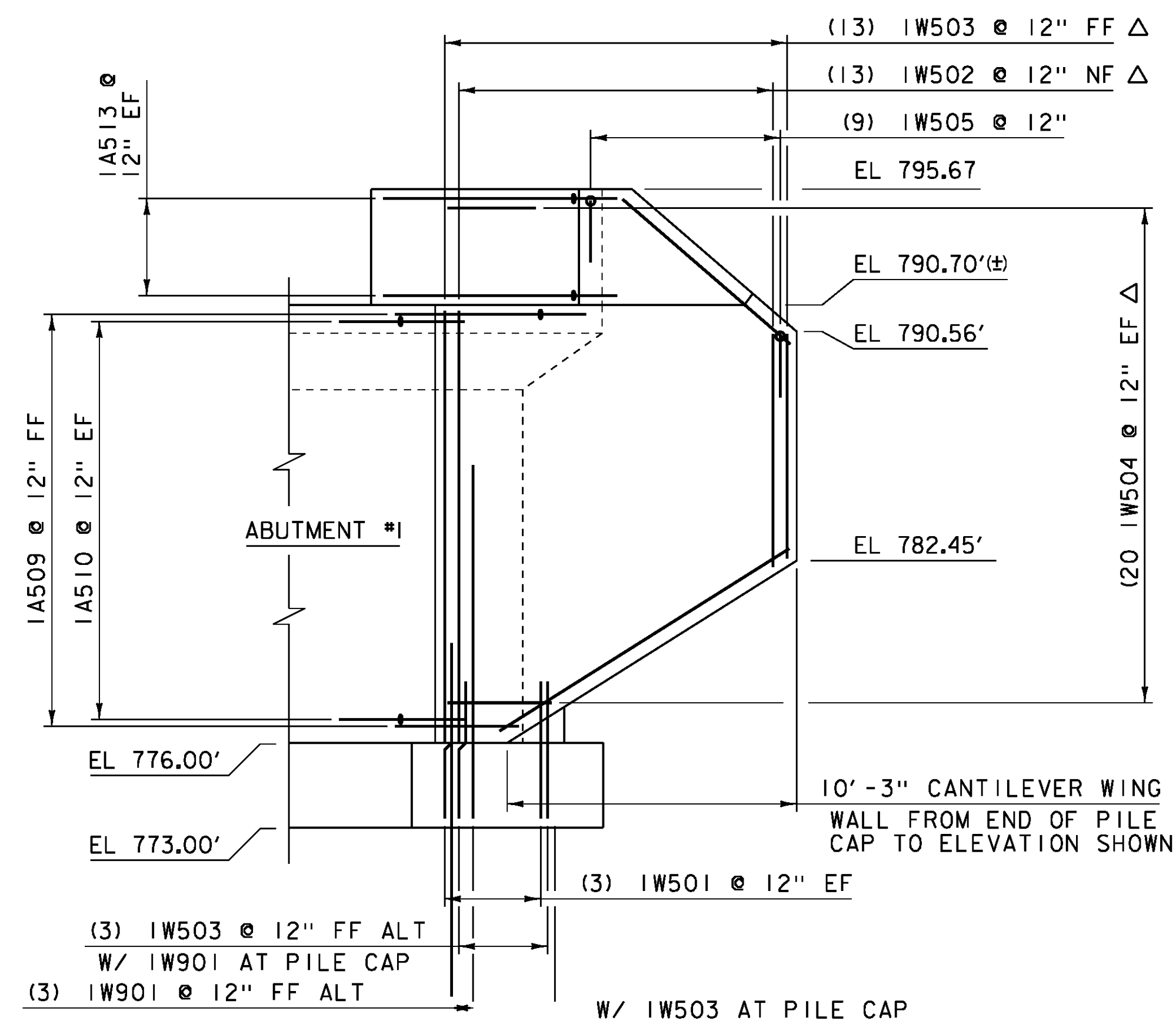


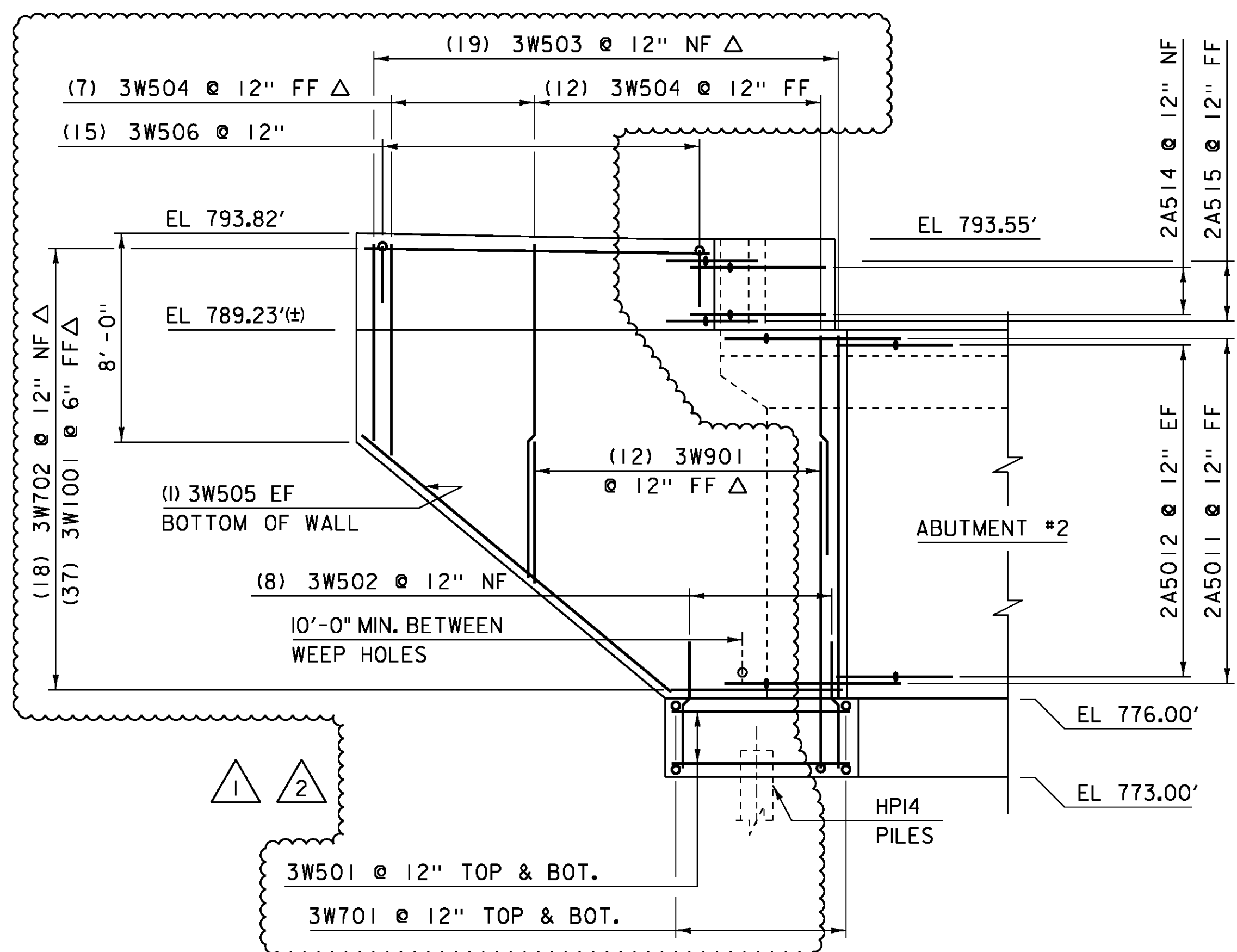
WINGWALL #2 ELEVATION

SCALE 1/4" = 1'-0"



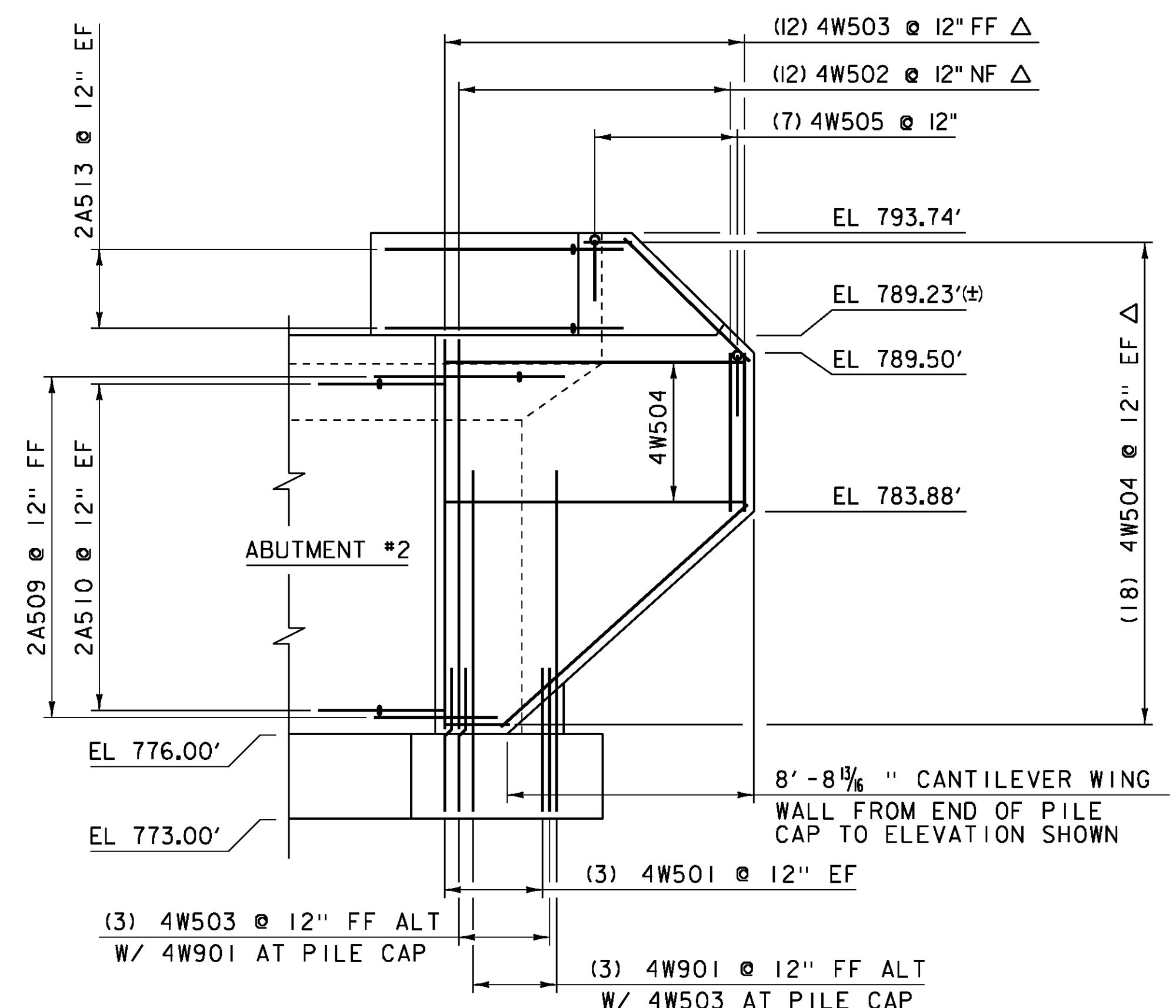
WINGWALL #1 ELEVATION

SCALE 1/4" = 1'-0"



WINGWALL #3 ELEVATION

SCALE 1/4" = 1'-0"



WINGWALL #4 ELEVATION

SCALE 1/4" = 1'-0"

NOTE:
 NF = NEAR FACE
 FF = FAR FACE
 EF = EACH FACE
 Δ = CUT TO FIT IN FIELD
 3" CLEAR, UNLESS OTHERWISE SPECIFIED ON THE PLANS.
 2'-2" BAR LAP UNLESS OTHERWISE SPECIFIED ON THE PLANS.

REVISION	DATE	DESCRIPTION	BY
1	01-25-2013	REMOVE 11' OF FOOTING & (4) PILES & REVISED REBAR FOR WW#3	MCL

REVISION	DATE	DESCRIPTION	BY
2	02-04-2013	CHANGED WW#3 SLOPE & INCREASED REBAR	MRU

PROJECT NAME: WARREN
 PROJECT NUMBER: BRF 013-4 (14)

FILE NAME: s78f242sub.dgn
 PROJECT LEADER: J.LACROIX
 DESIGNED BY: U.STANLEY
 WINGWALL ELEVATIONS
 PLOT DATE: 21-FEB-2013
 DRAWN BY: M.LONGSTREET
 CHECKED BY: U. STANLEY
 SHEET 53 OF 83