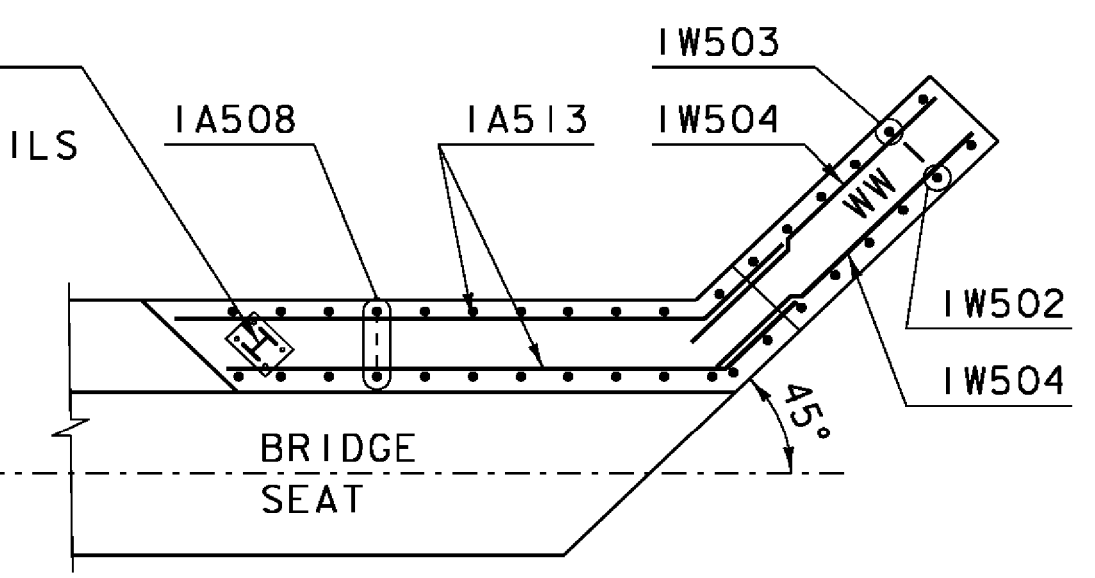


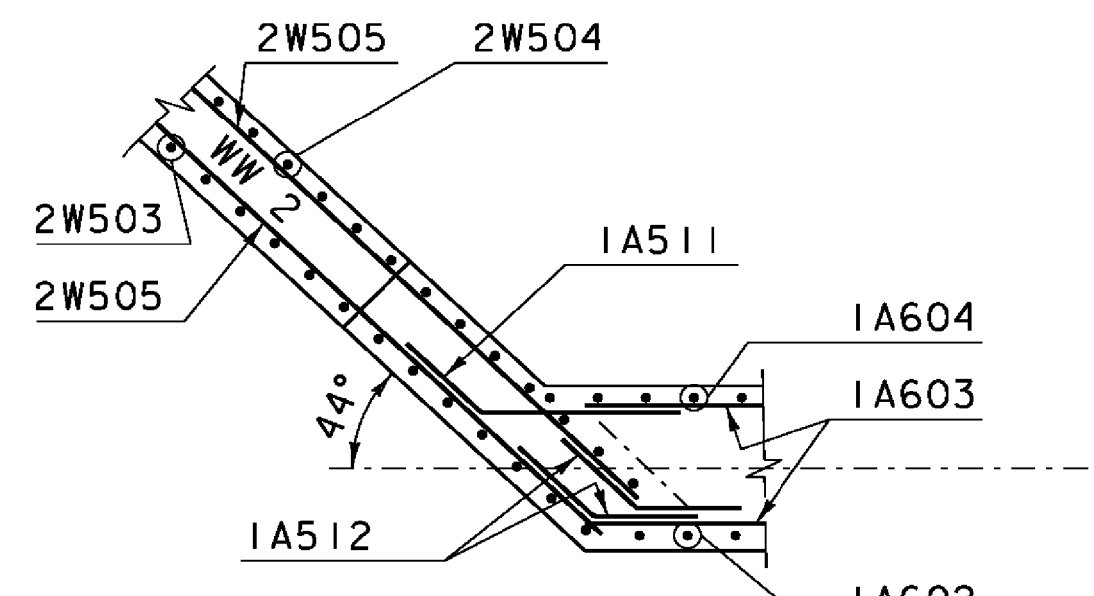
WINGWALL #2 CORNER  
DETAIL ABOVE SEAT

SCALE 1/4" = 1'-0"



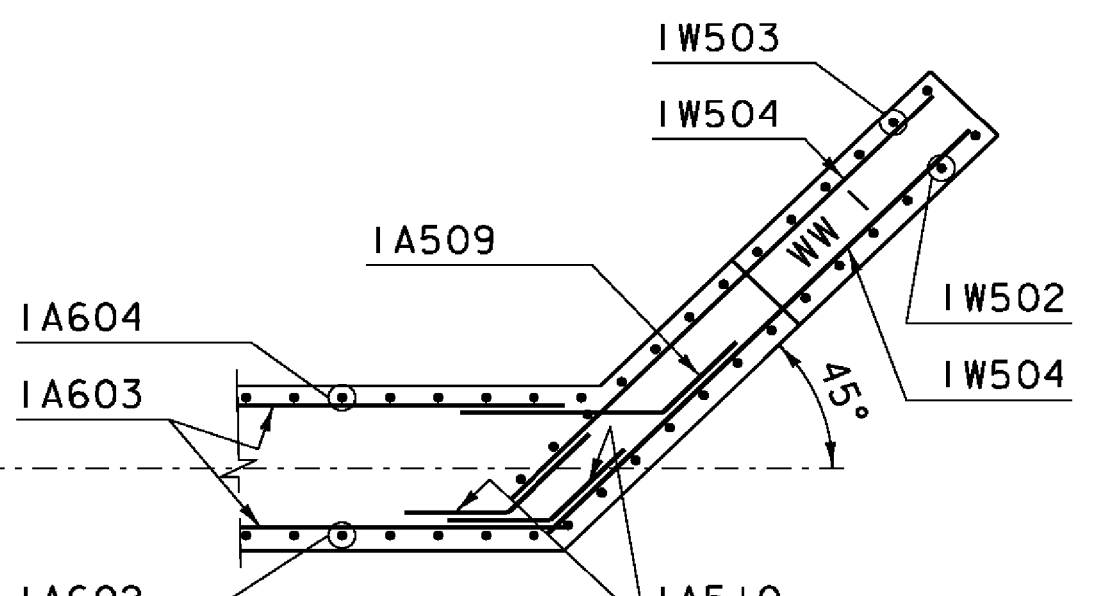
WINGWALL #1 CORNER  
DETAIL ABOVE SEAT

SCALE 1/4" = 1'-0"



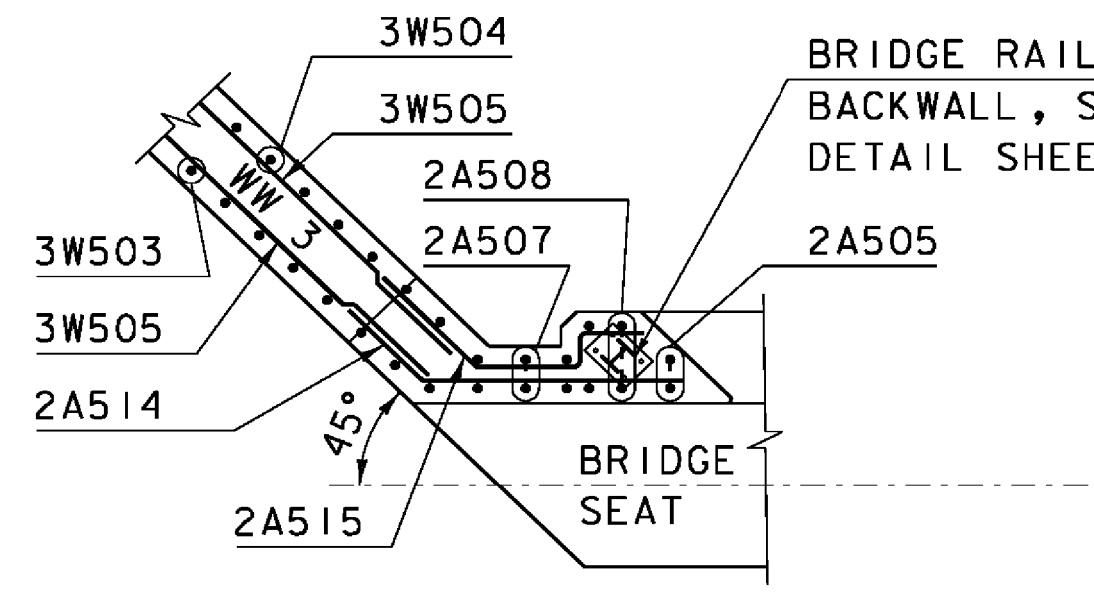
WINGWALL #2 CORNER  
DETAIL BELOW SEAT

SCALE 1/4" = 1'-0"



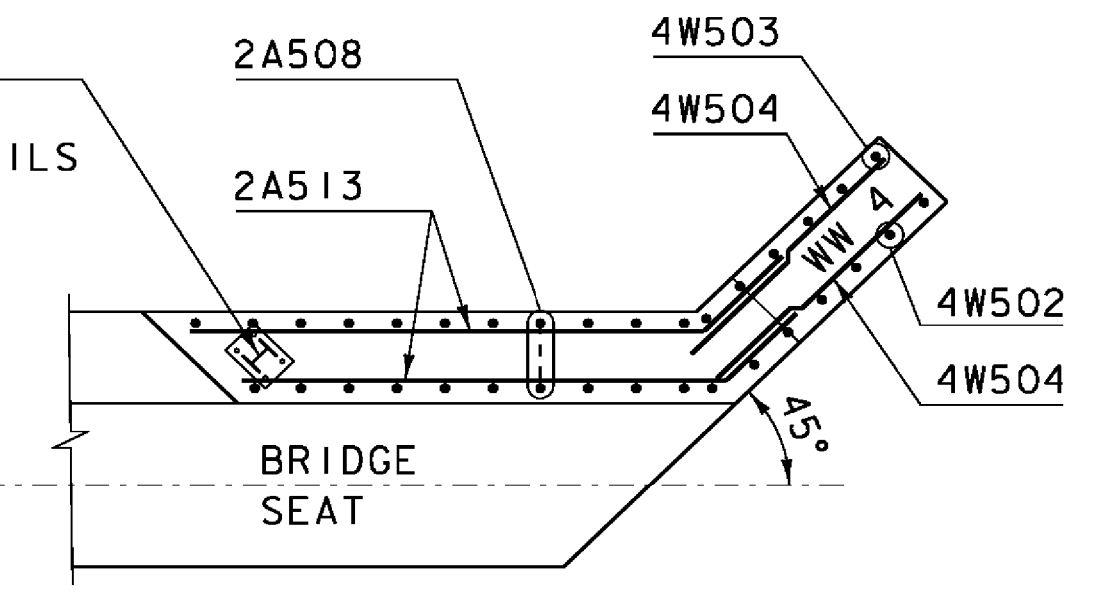
WINGWALL #1 CORNER  
DETAIL BELOW SEAT

SCALE 1/4" = 1'-0"



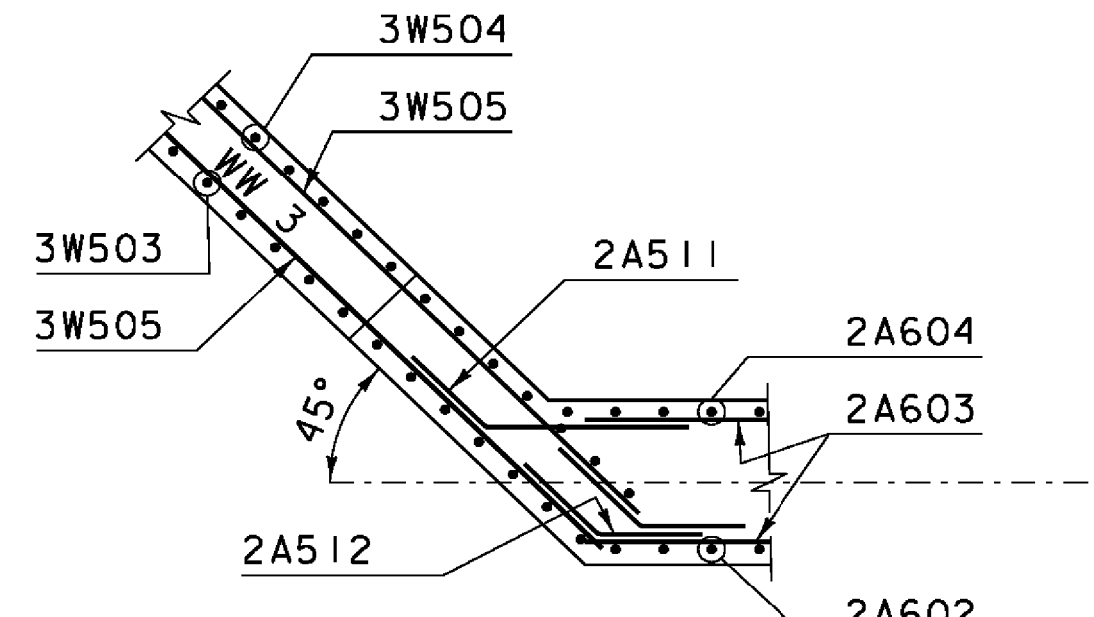
WINGWALL #3 CORNER  
DETAIL ABOVE SEAT

SCALE 1/4" = 1'-0"



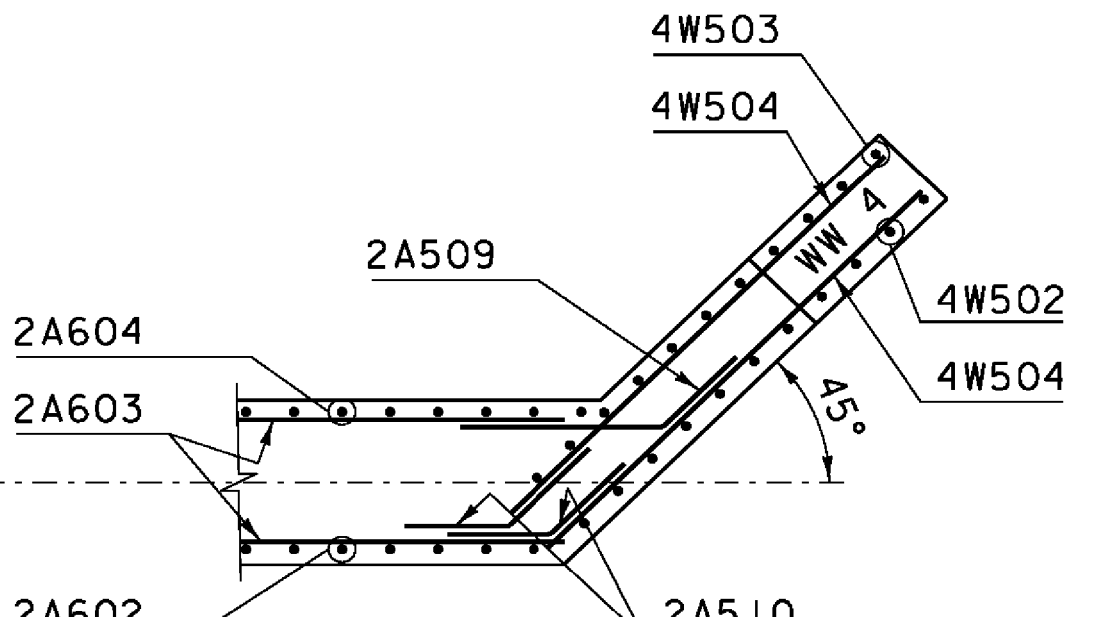
WINGWALL #4 CORNER  
DETAIL ABOVE SEAT

SCALE 1/4" = 1'-0"



WINGWALL #3 CORNER  
DETAIL BELOW SEAT

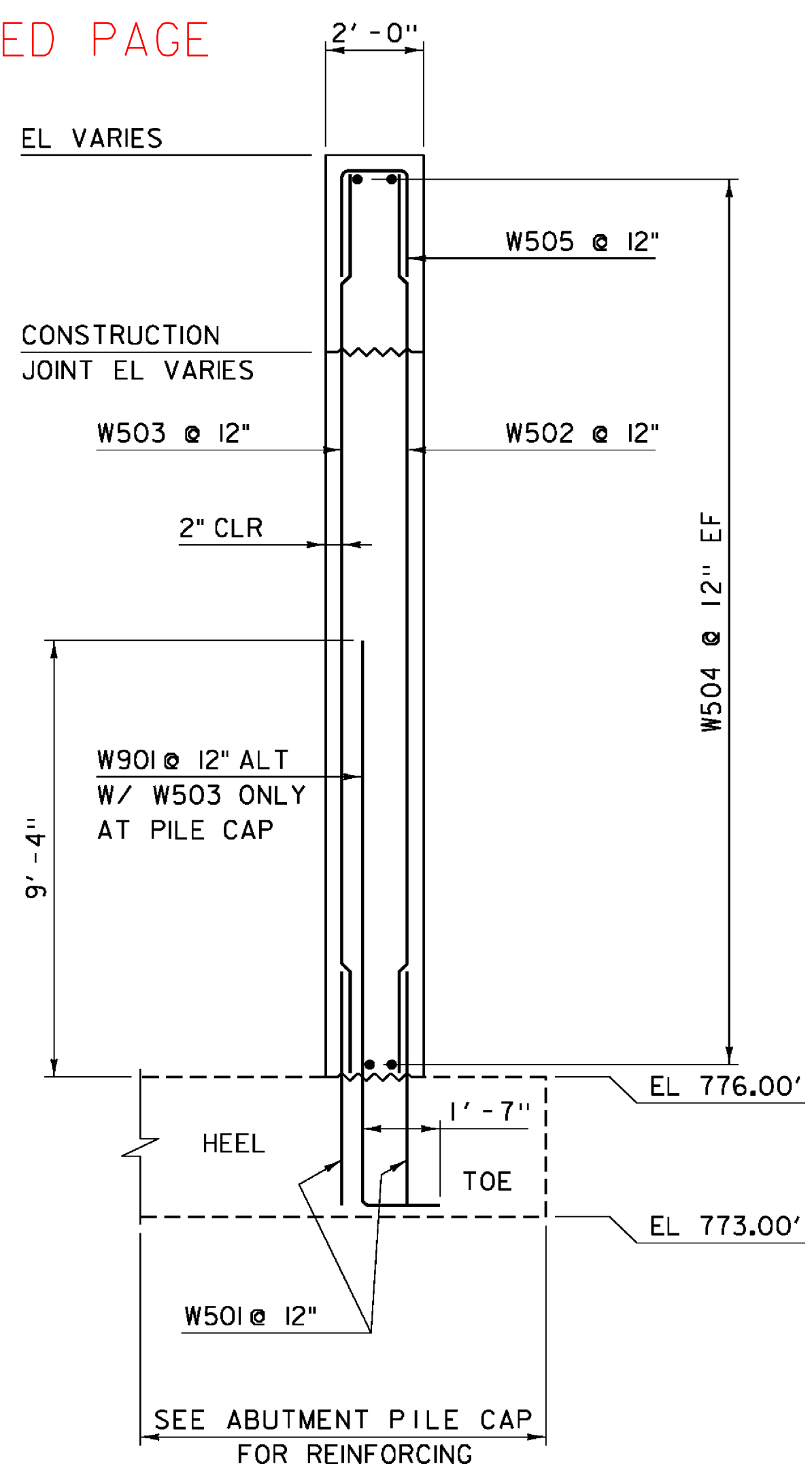
SCALE 1/4" = 1'-0"



WINGWALL #4 CORNER  
DETAIL BELOW SEAT

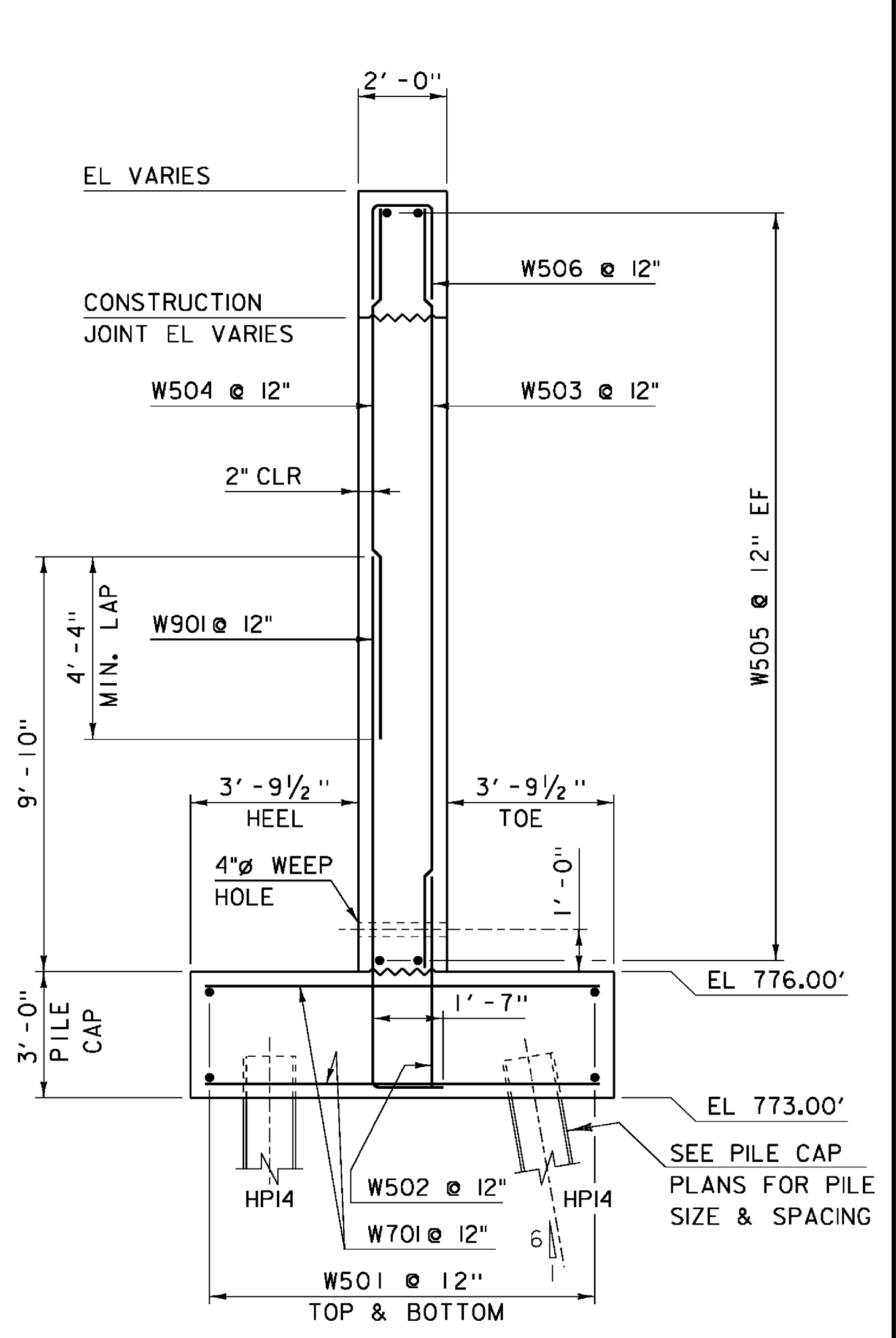
SCALE 1/4" = 1'-0"

SEE REVISED PAGE



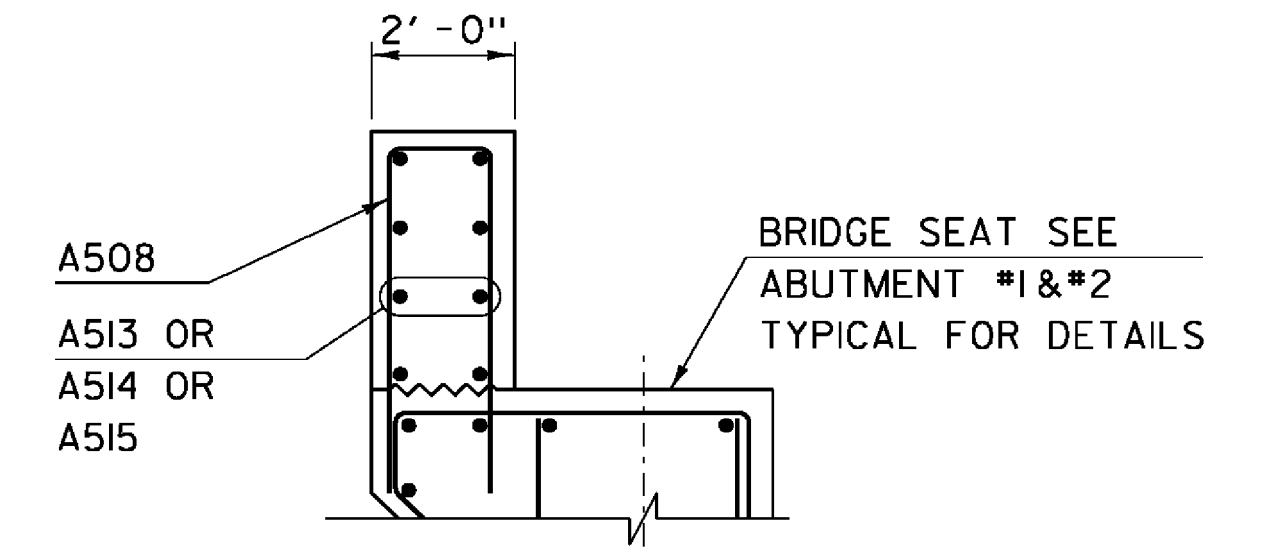
WINGWALL #1 & #4 TYPICAL

SCALE 3/8" = 1'-0"



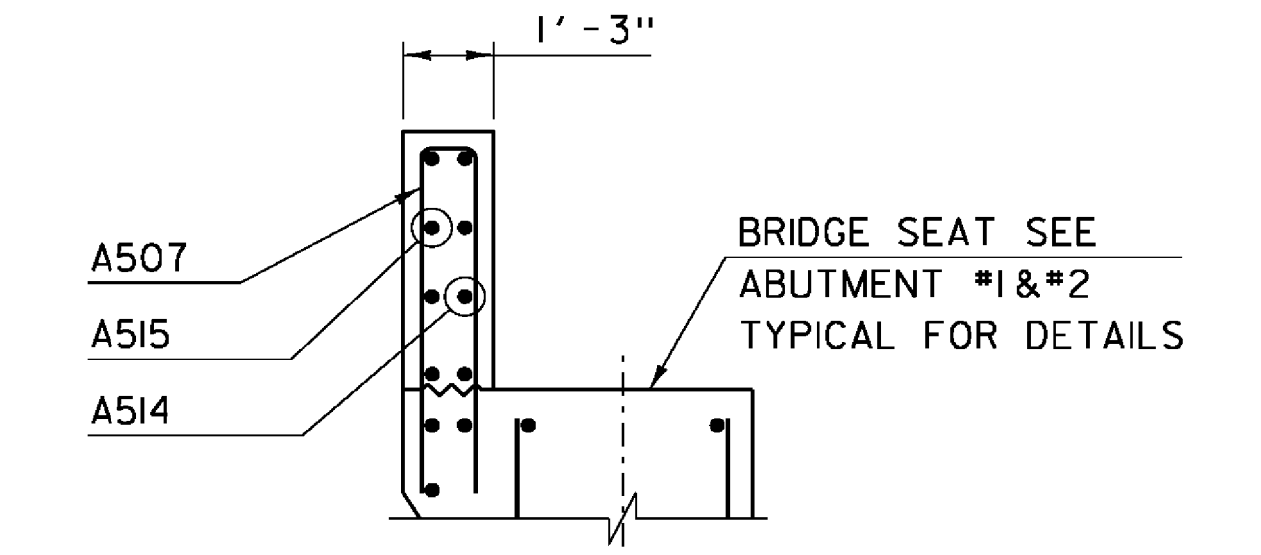
WINGWALL #2 & #3 TYPICAL

SCALE 3/8" = 1'-0"



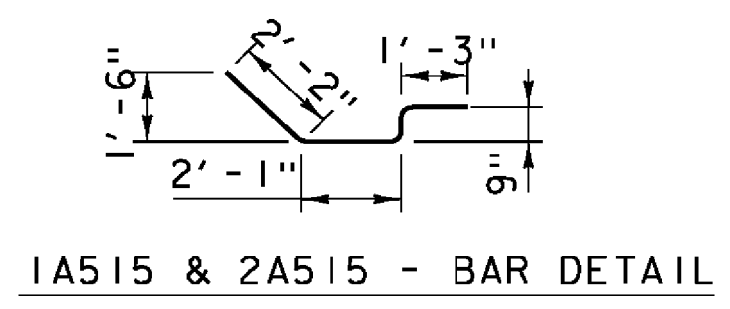
TYPICAL AT FULL WIDTH  
BACKWALL OUTSIDE FASCIA

SCALE 3/8" = 1'-0"



TYPICAL AT NOTCHED  
BACKWALL OUTSIDE FASCIA

SCALE 3/8" = 1'-0"



IA515 & 2A515 - BAR DETAIL

NOTE:

- NF = NEAR FACE
- FF = FAR FACE
- EF = EACH FACE
- ▲ = CUT TO FIT IN FIELD
- 3" CLEAR, UNLESS OTHERWISE SPECIFIED ON THE PLANS.
- 2'-2" BAR LAP UNLESS OTHERWISE SPECIFIED ON THE PLANS.

PROJECT NAME:	WARREN	PLOT DATE:	27-JUL-2012
PROJECT NUMBER:	BRF 013-4 (I4)	DRAWN BY:	M.LONGSTREET
FILE NAME:	s78f242sub.dgn	CHECKED BY:	U. STANLEY
PROJECT LEADER:	J.LACROIX	SHEET	52 OF 83
DESIGNED BY:	U. STANLEY		
WINGWALL TYPICALS & DETAILS			