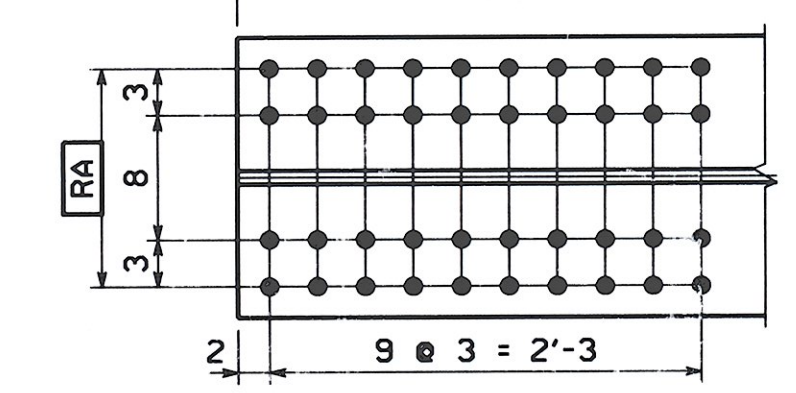
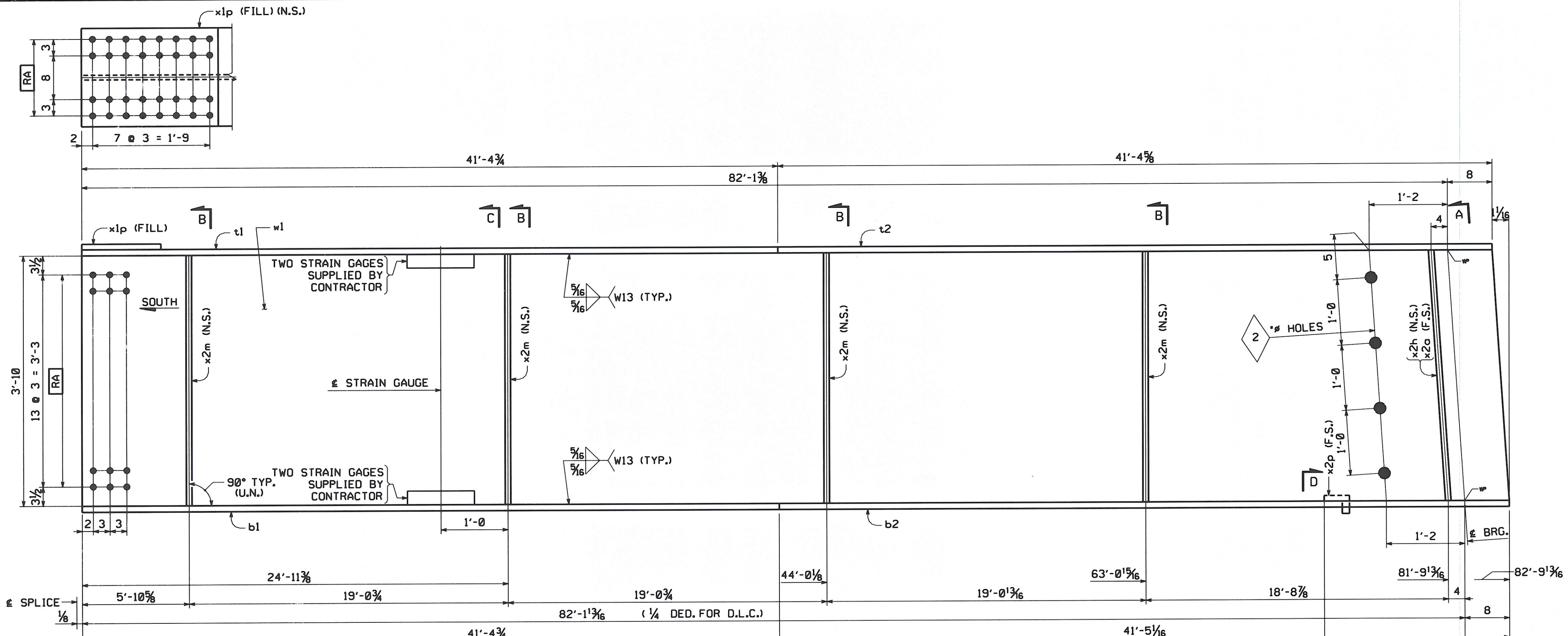
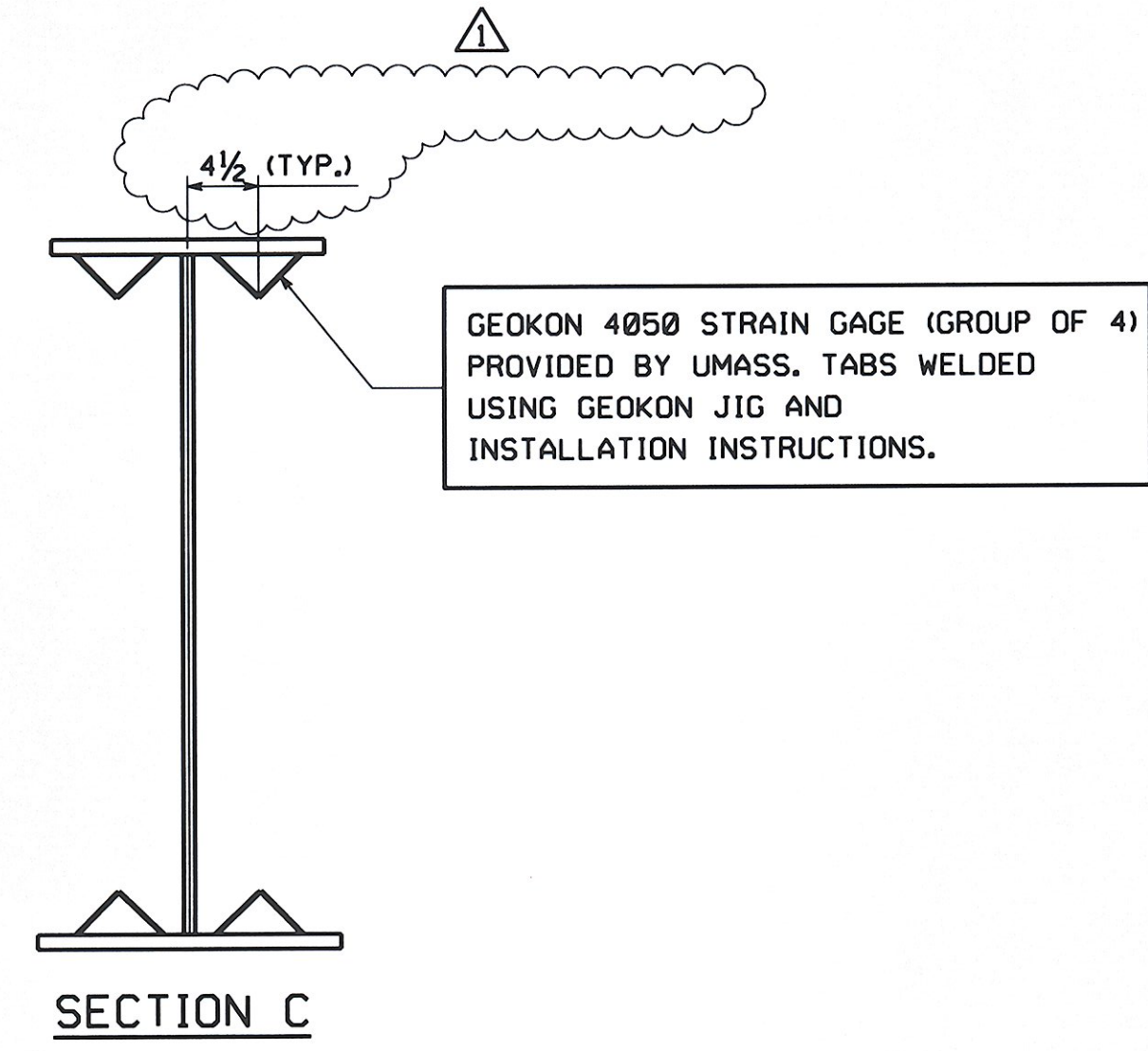
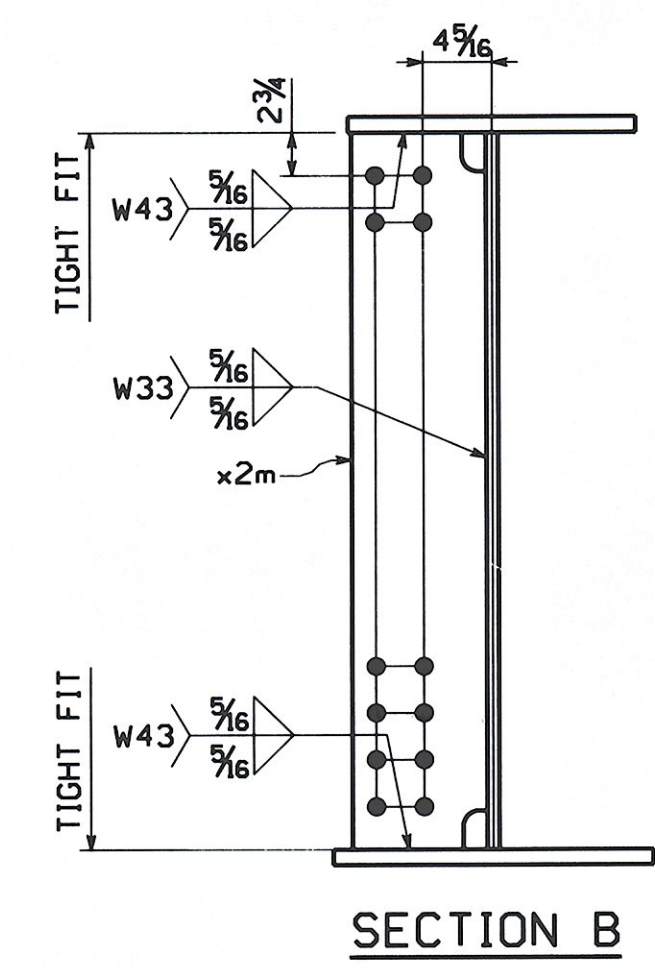
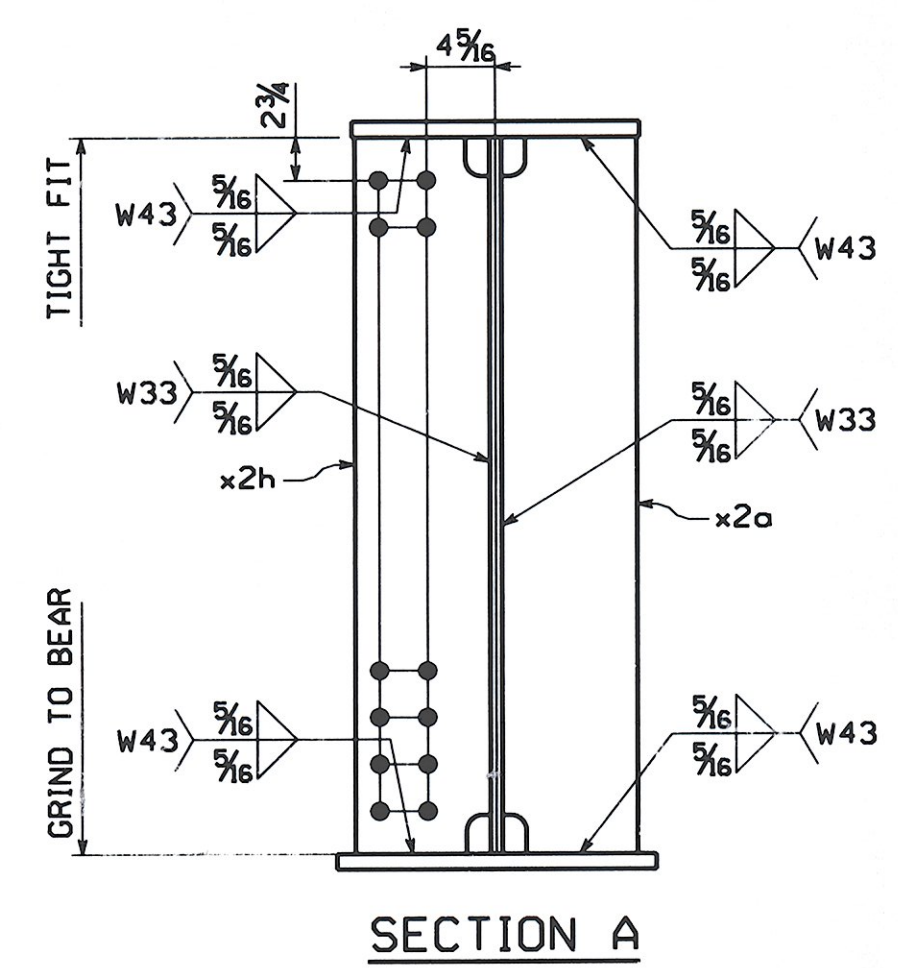
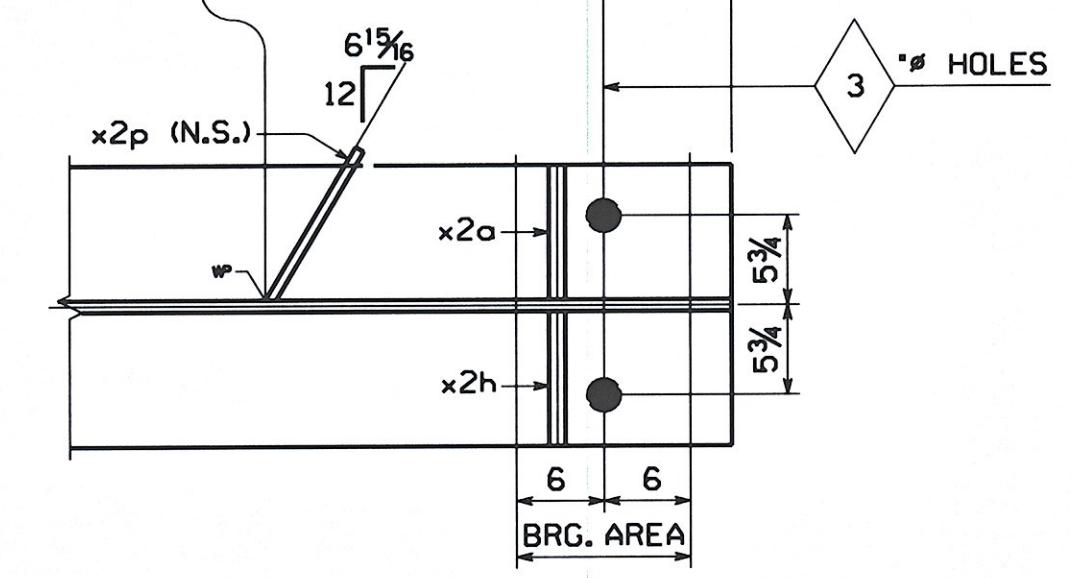
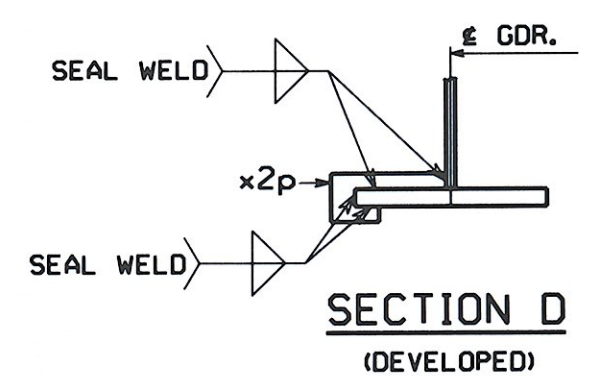


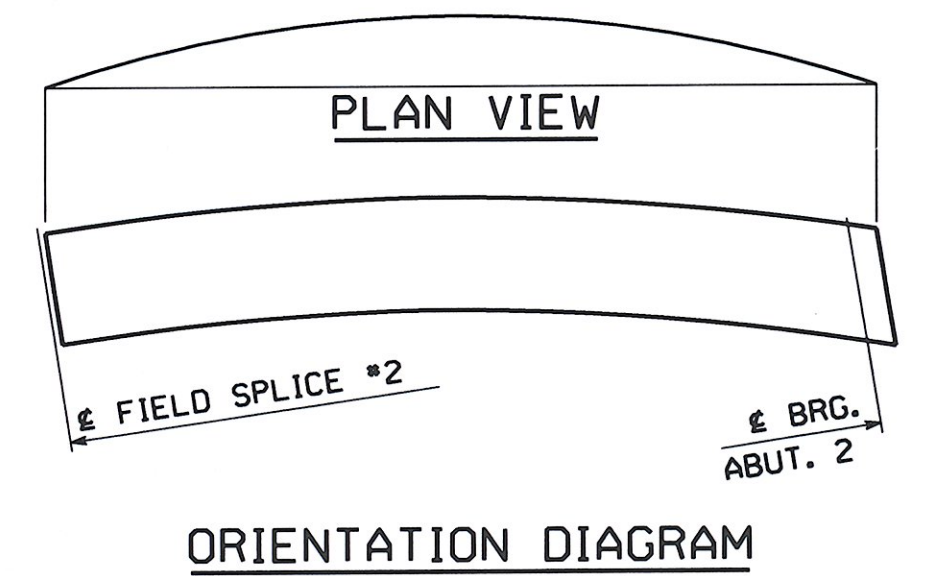
ENGLISH



**GIRDER ~ MK. G1C**  
 FOR GENERAL SHOP NOTES, SEE DWG. GNI.  
 FOR WEB CAMBER DIAGRAM, SEE DWG. WC2.  
 FOR HORIZ. CURVE DIAGRAM, SEE DWG. HC1.



BILL OF MATERIAL												
QTY EA	MARK	COMM	DESCRIPTION	LENGTH	SPEC	GRADE	TEST	REMARKS	ITEM	GROSS WEIGHT EA	DEDUCTED WEIGHT EA	SHIP WT. EA (LBS)
1	G1C		GIRDER							26,404.04	7.55	26,404.04
1	w1	PL	5/8 x 46	82	10 7/16	M270	50W	T	03001	8,107.14	7.55	8,099.59
1	t1	PL	1 1/4 x 18	41	4 3/4	M270	50W	T	04007	3,169.37	0.00	3,169.37
1	t2	PL	1 1/4 x 18	41	4 11/16	M270	50W	T	04007	3,168.97	0.00	3,168.97
1	b1	PL	2 1/4 x 18	41	4 3/4	M270	50W	T	04002	5,704.86	0.00	5,704.86
1	b2	PL	2 1/4 x 18	41	5 1/8	M270	50W	T	04002	5,709.17	0.00	5,709.17
1	x1p	PL	1 x 18	2	0 1/2	M270	50W	T	FILL PL 06008	125.05	0.00	125.05
1	x2a	PL	7/8 x 8 1/2	3	10	M270	50W	T	07001	97.01	0.00	97.01
1	x2h	PL	7/8 x 8 1/2	3	10 1/32	M270	50W	T	07001	97.08	0.00	97.08
4	x2m	PL	1/2 x 8 1/2	3	10	M270	50W	T	07003	55.44	0.00	55.44
1	x2p	PL	1/4 x 4 1/4	1	0 1/16	M270	50W	T	07007	3.63	0.00	3.63
4			STRAIN GAUGE						SUPPLIED BY CONTRACTOR			
<b>TOTAL WEIGHT THIS SHEET:</b>										<b>26404.04 lbs.</b>		



NO.	REVISION	BY	CHK'D	DATE
	ADDED DIMENSION TO LOCATE STRAIN GAGE & REMOVED CONTRACTOR PLEASE SUPPLY	MGK	WW	8/2/08
<b>GIRDER G1C</b>				
VT ROUTE 100 (MINOR ARTERIAL) OVER WHITE RIVER				
VT ROUTE 100 STA. 141+39.00 TO STA. 143+61.00				
TOWN OF STOCKBRIDGE, COUNTY OF WINDSOR, VERMONT				
STATE OF VERMONT				
AGENCY OF TRANSPORTATION				
STATE CONT. PROJECT NO. (STP) BR		FED. AID PROJ. NO.		
OR REF. NO. 013-4(21)				
GENERAL CONTRACTOR		HSSI PROJ. MGR		
WINTERSET, INC.		DEB KUPRES		
SHPMT	DRAWING MANAGER	MADE BY	CHK'D BY	DATE
1	KREIDER (IH)	MAF	CS	6-23-08
STATE	HSSI PROJECT NUMBER	HSSI STRUCT. ID	DRAWING NUMBER	
VT	S-1080077	A	11 OF 22	

RECEIVED  
 OK'D BY: J.L. OK'D BY: JPL  
 AUG 18 2008  
 RESUBMIT APPROVED  
 BY: KMH DATE: 8/19/08

PM&ENG: 5004327 PFD: 5004328 SHIP&RECT: 5004329

SHIPMENT 01

BY: bueover

PLOTTED: 8/14/2008 8:23:42 AM