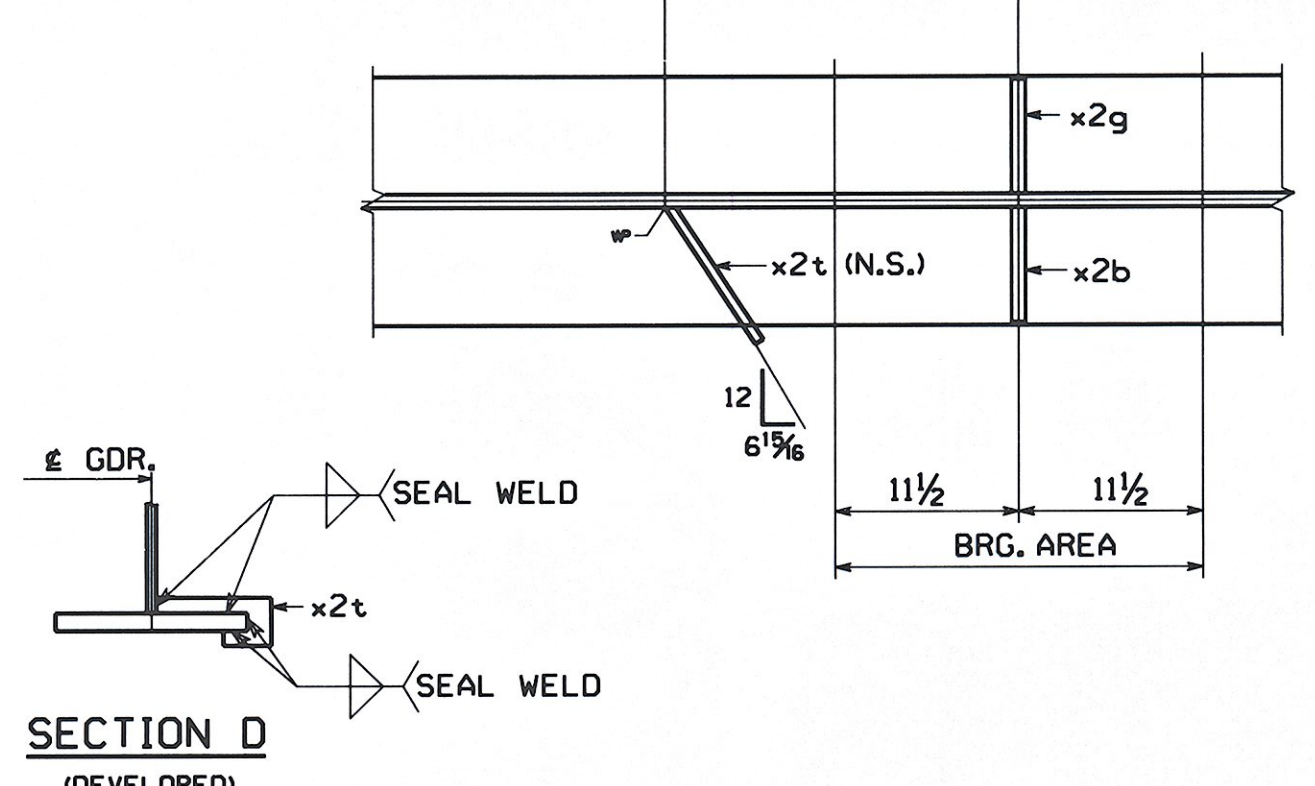
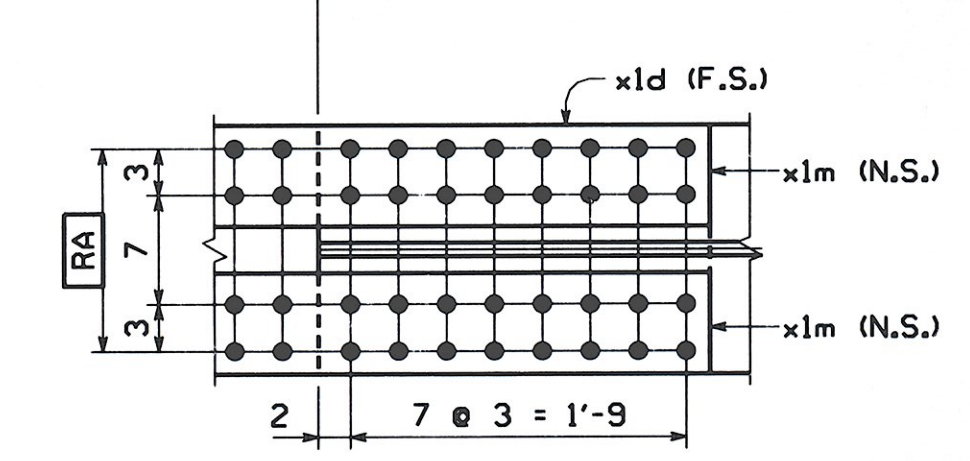
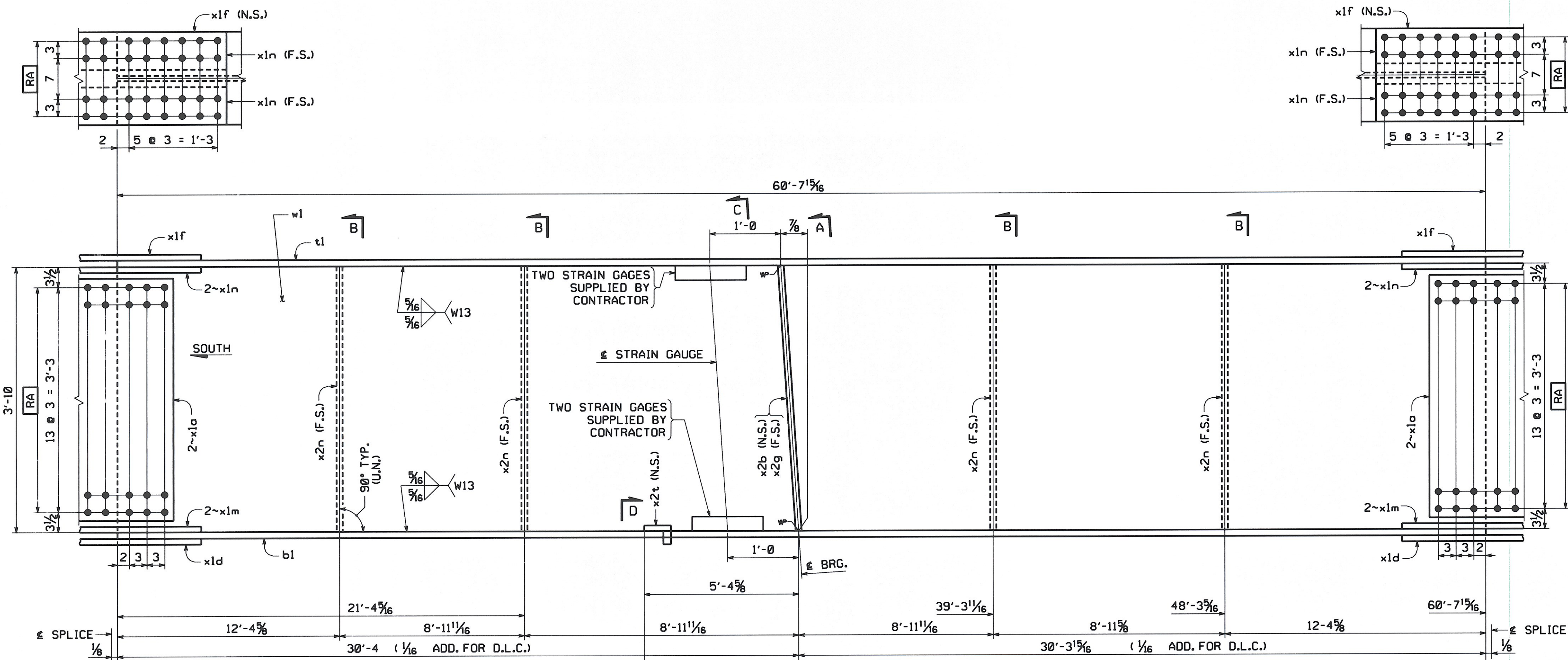
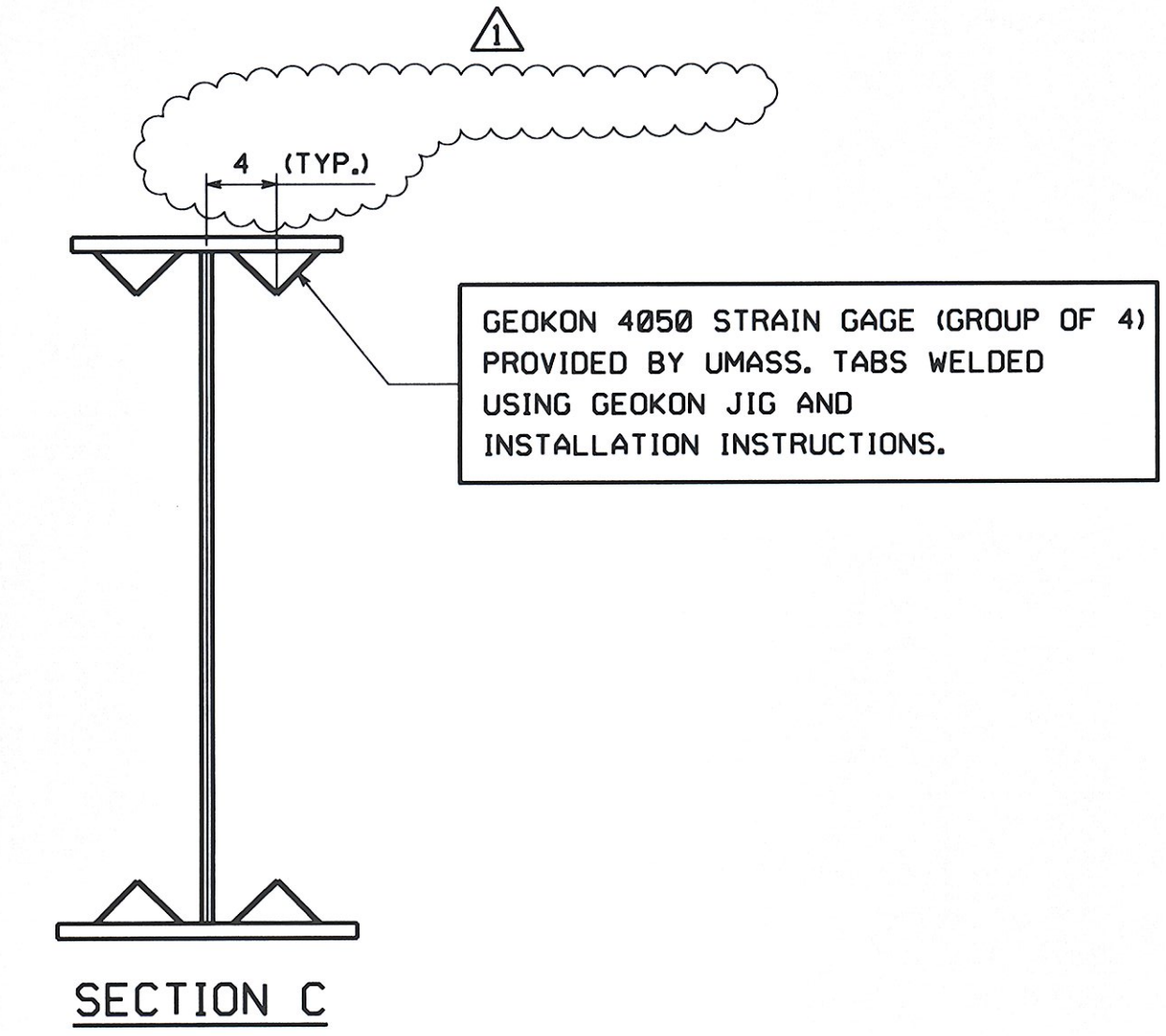
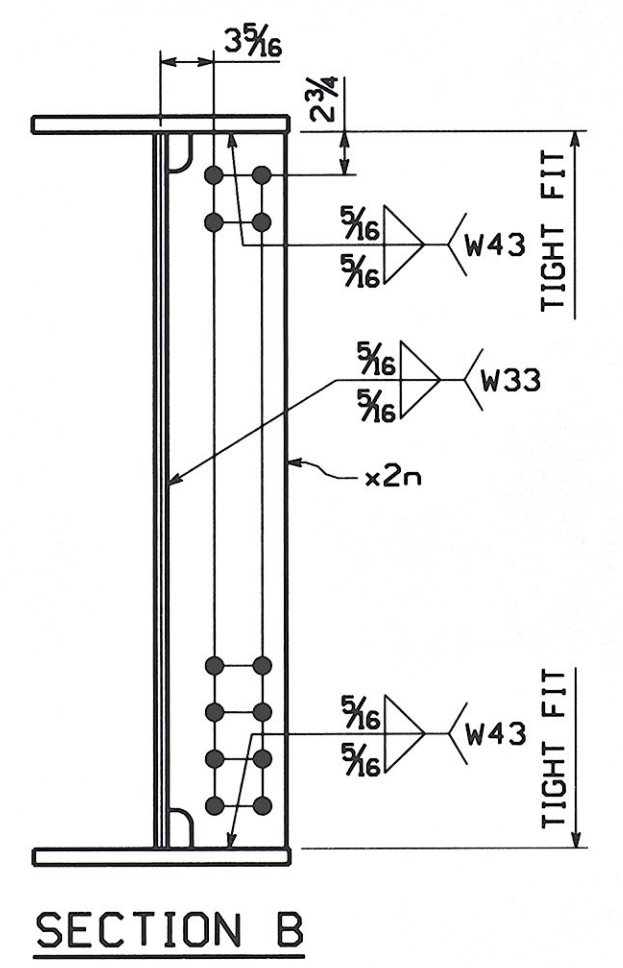
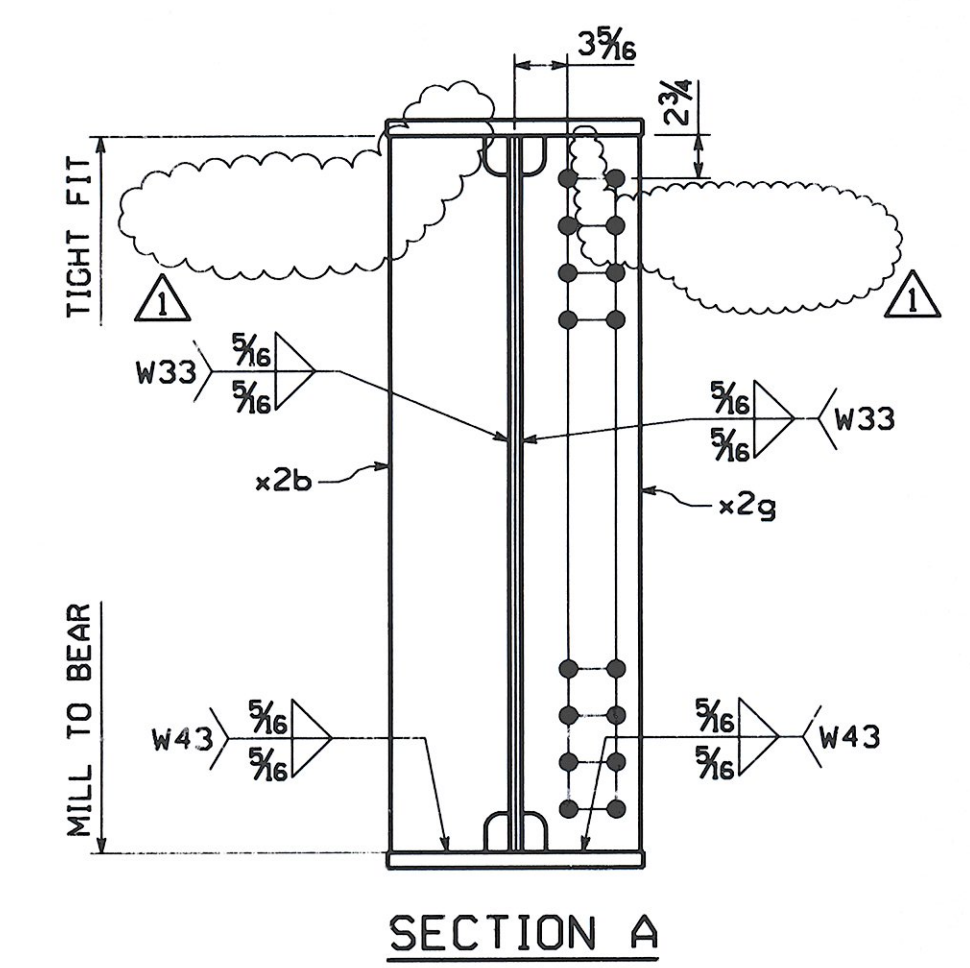
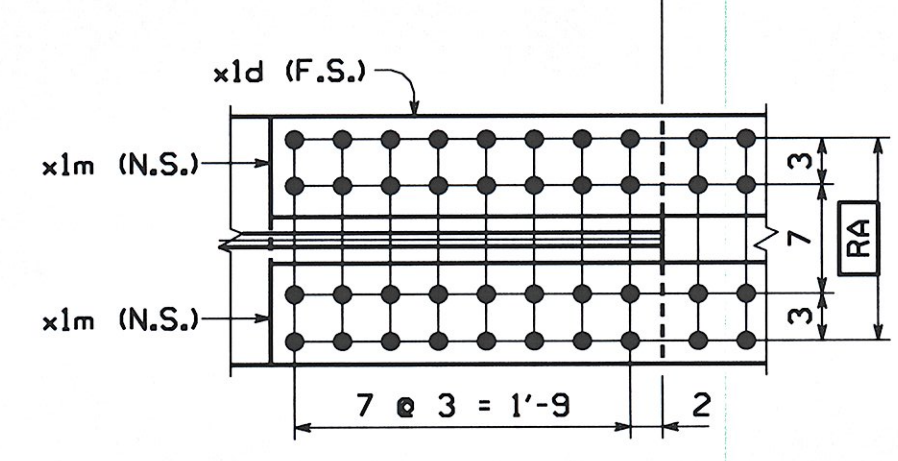


ENGLISH

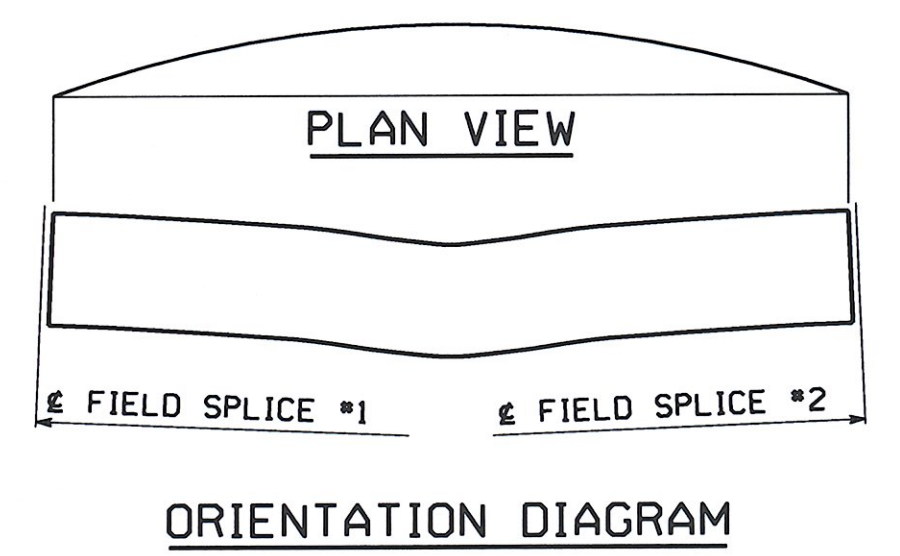


**GIRDER ~ MK. G5B**  
 FOR GENERAL SHOP NOTES, SEE DWG. GNI.  
 FOR WEB CAMBER DIAGRAM, SEE DWG. WC1.  
 FOR HORIZ. CURVE DIAGRAM, SEE DWG. HCL.



RECEIVED  
 AUG 18 2008  
 BY KMH DATE 9/18/08

BILL OF MATERIAL													
QTY	EA	MARK	COMM	DESCRIPTION	LENGTH	SPEC	GRADE	TEST	REMARKS	ITEM	GROSS WEIGHT EA	DEDUCTED WEIGHT EA	SHIP WT. EA (LBS)
1		G5B		GIRDER							20,709.61	0.00	20,709.61
1	w1	PL	5/8	x 46	60	7 15/16	M270	50W	T	03008	5,934.50	0.00	5,934.50
1	t1	PL	2	x 16	60	7 15/16	M270	50W	T	04003	6,605.36	0.00	6,605.36
1	b1	PL	2	x 16	60	7 15/16	M270	50W	T	04003	6,605.36	0.00	6,605.36
4	x1a	PL	1/2	x 42	1	7 1/4	M270	50W	T	06001	458.52	0.00	458.52
2	x1d	PL	1/2	x 16	4	1 1/4	M270	50W	T	06004	223.45	0.00	223.45
2	x1f	PL	1/2	x 16	3	1 1/4	M270	50W	T	06004	84.50	0.00	84.50
4	x1m	PL	5/8	x 6	4	1 1/4	M270	50W	T	06007	52.37	0.00	52.37
4	x1n	PL	5/8	x 6	3	1 1/4	M270	50W	T	06007	39.61	0.00	39.61
1	x2b	PL	3/4	x 7 1/2	3	10	M270	50W	T	07002	73.37	0.00	73.37
1	x2g	PL	3/4	x 7 1/2	3	10	M270	50W	T	07002	73.37	0.00	73.37
4	x2n	PL	1/2	x 7 1/2	3	10	M270	50W	T	07004	48.91	0.00	48.91
1	x2t	PL	1/4	x 4	0	10 7/8	M270	50W		07005	3.08	0.00	3.08
4				STRAIN GAGE									
TOTAL WEIGHT THIS SHEET:											20709.61 lbs.		



NO.	REVISION	BY	CHK'D	DATE
	ADDED DIMENSION TO LOCATE STRAIN GAGE, REMOVED WELDS & CONTRACTOR PLEASE SUPPLY	MGK	WW	8/2/08
Holes	1 5/8" (U.N.)			
Bolts	NONE			
Coating	NONE			
Code(s)	30			
Scale	N.T.S.			
State	VT			

VT ROUTE 100 (MINOR ARTERIAL) OVER WHITE RIVER  
 VT ROUTE 100 STA. 141+39.00 TO STA. 143+61.00  
 TOWN OF STOCKBRIDGE, COUNTY OF WINDSOR, VERMONT

STATE OF VERMONT  
 AGENCY OF TRANSPORTATION

STATE CONT. PROJECT NO. (STP) BR/ OR REF. NO. 013-4(21)  
 GENERAL CONTRACTOR WINTERSET, INC.  
 HSSI PROJ. MGR. DEB KUPRES

SHPMNT 1 DRAWING MANAGER KREIDER (IH) MADE BY MAF CHK'D BY CS DATE 6-24-08  
 STATE VT HSSI PROJECT NUMBER S-1080077 HSSI STRUC. ID A DRAWING NUMBER 10 OF 22

High Steel Structures  
 An ISO 9000:2000 Certified Company  
 An Affiliate of High Industries Inc.

3501 W. 4th Street  
 Hillmanport, PA 17701  
 Phone (570) 326-9051  
 www.highsteel.com

PMAKENG: 5004327 PRD: 5004328 SHIP&ERECT: 5004329  
 SHIPMENT 01  
 BY: beever  
 PLOTTED: 8/4/2008 8:23:33 AM