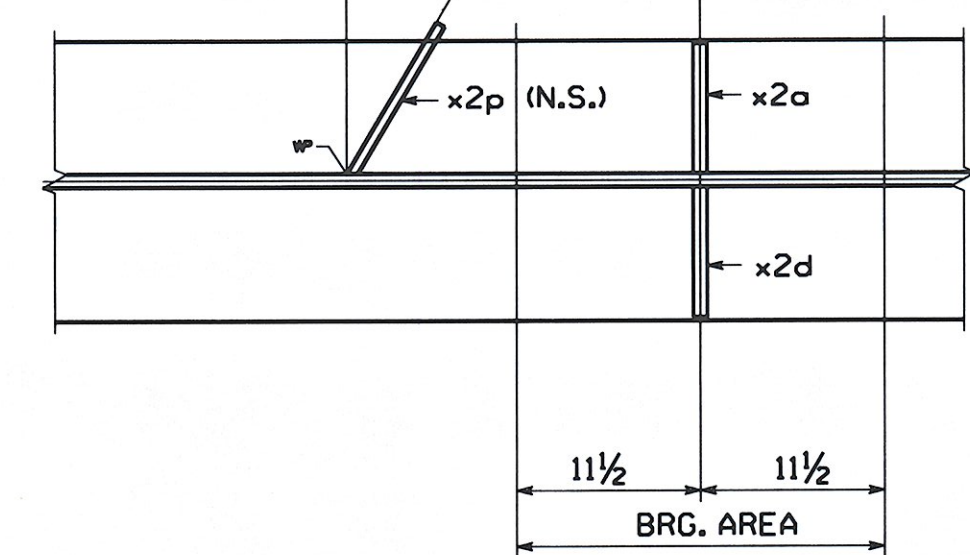
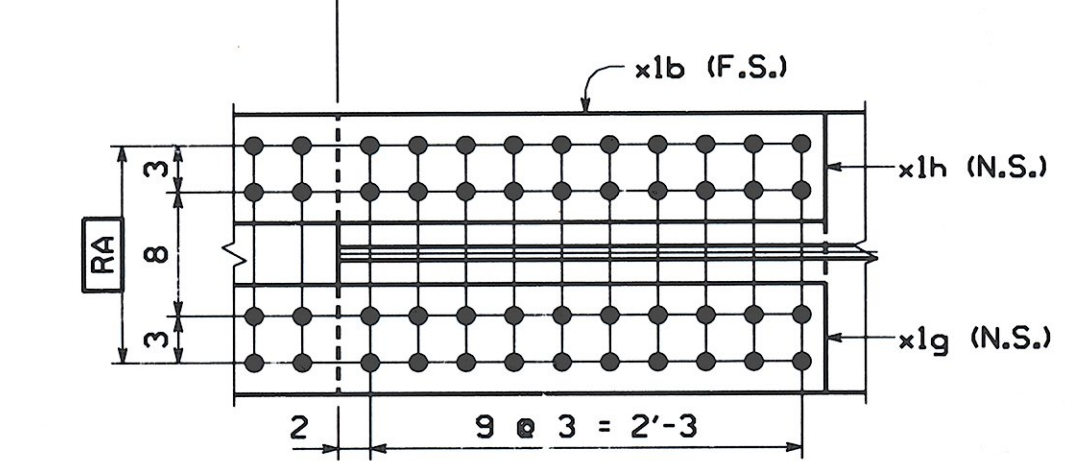
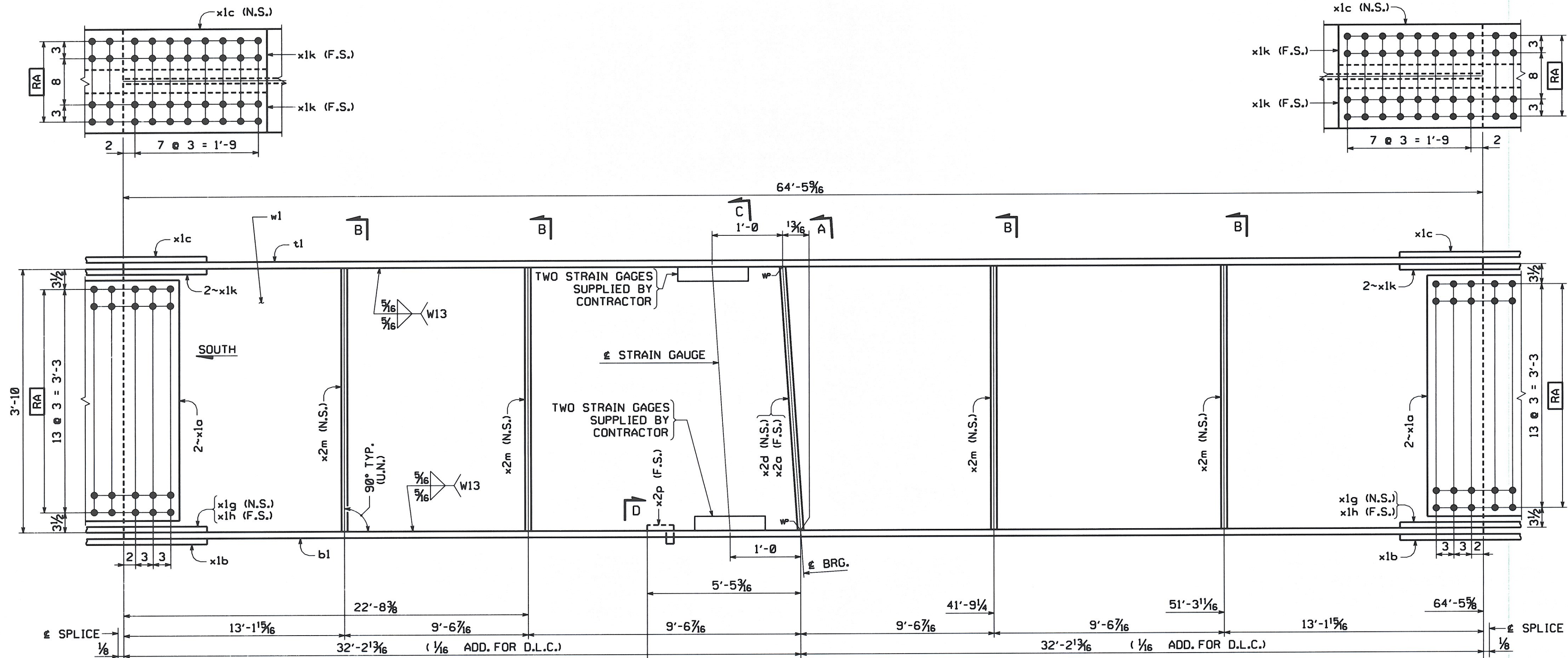
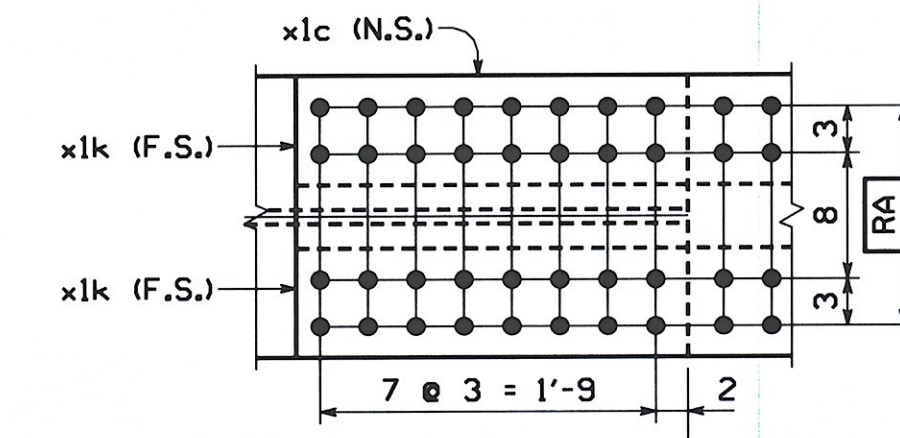
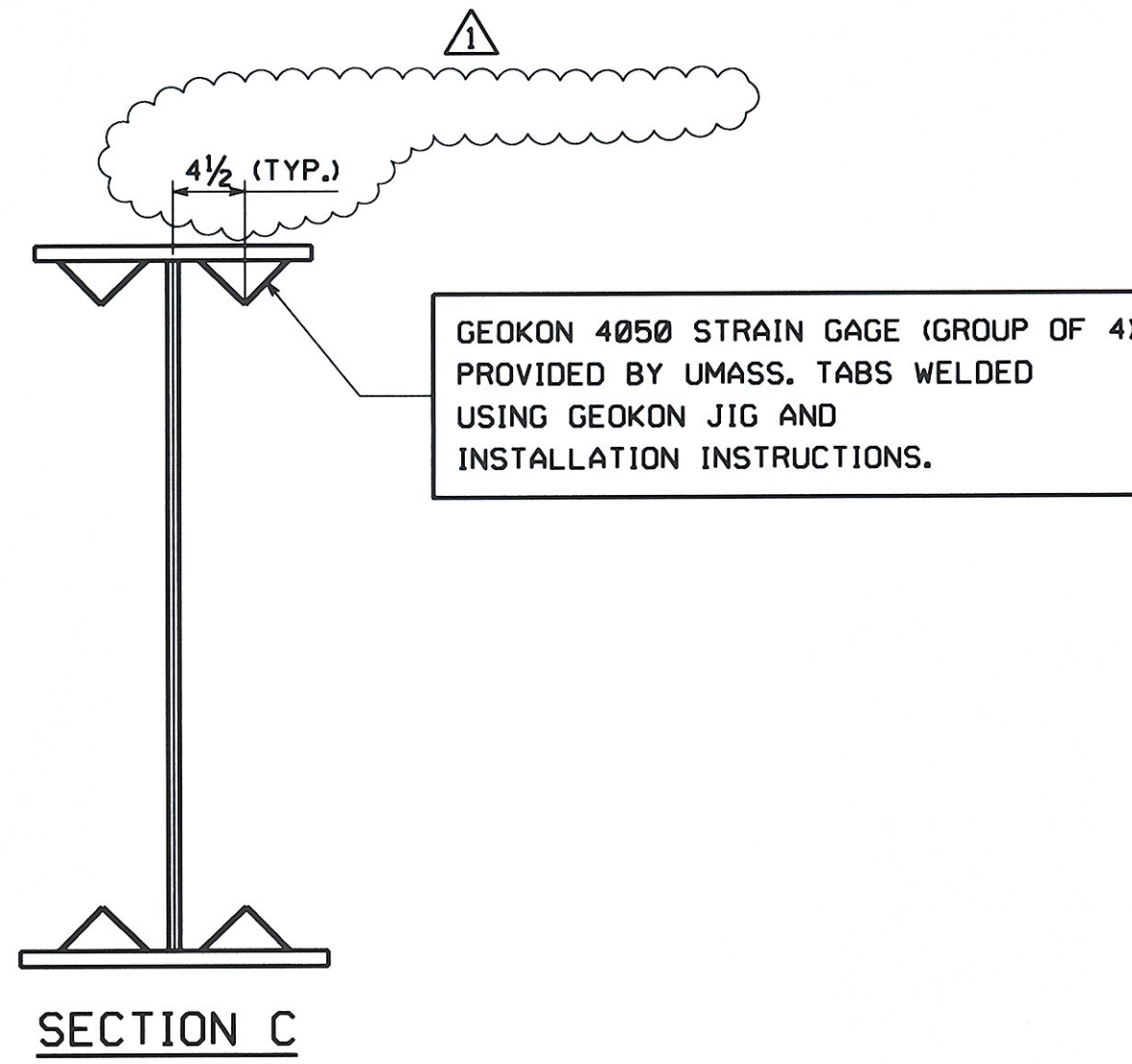
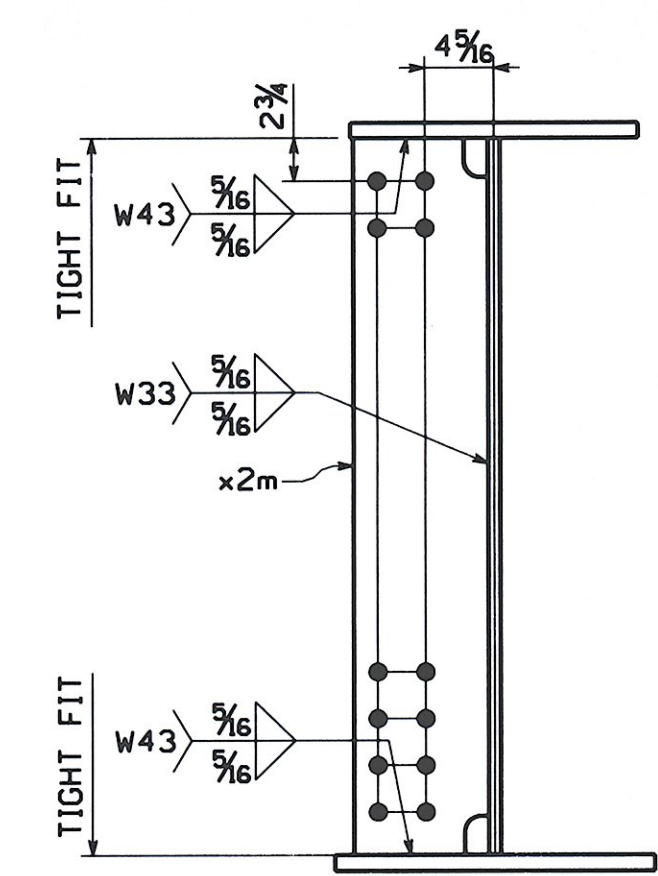
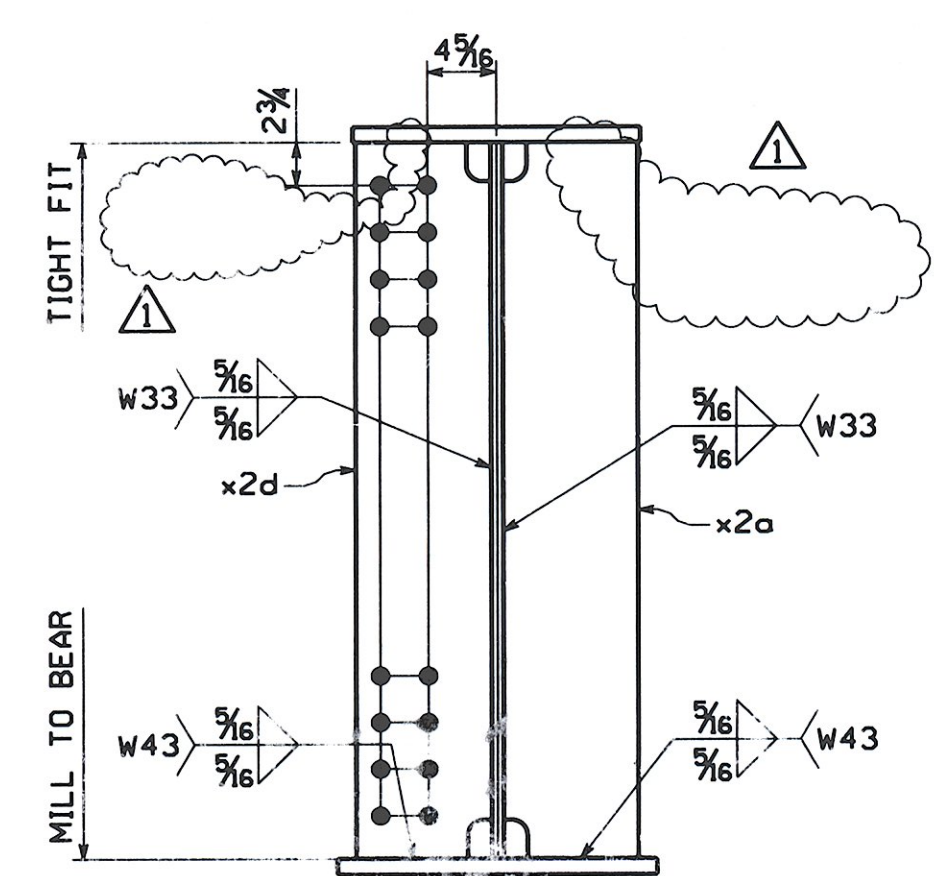
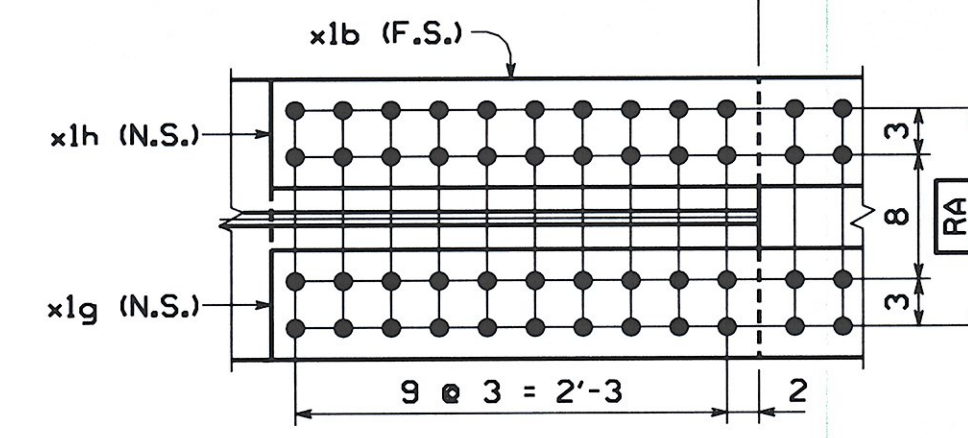
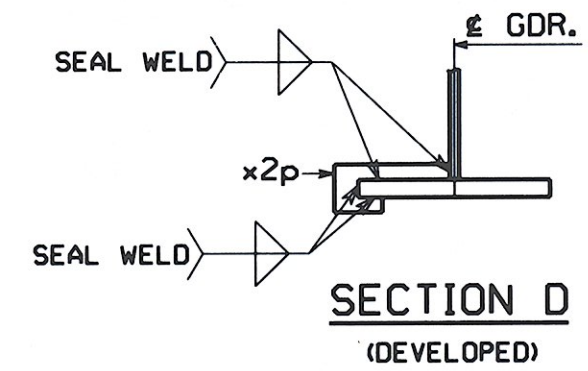


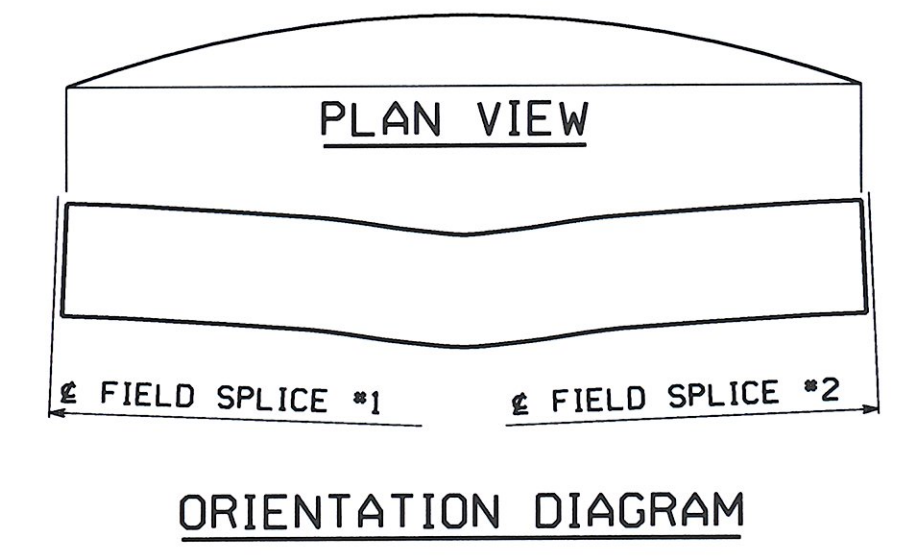
ENGLISH



GIRDER ~ MK. G1B
 FOR GENERAL SHOP NOTES, SEE DWG. GNI.
 FOR WEB CAMBER DIAGRAM, SEE DWG. WCI.
 FOR HORIZ. CURVE DIAGRAM, SEE DWG. HCI.



BILL OF MATERIAL													
QTY EA.	MARK	COMM.	DESCRIPTION	LENGTH	SPEC	GRADE	TEST	REMARKS	ITEM	GROSS WEIGHT EA.	DEDUCTED WEIGHT EA.	SHIP WT. EA. (LBS.)	
1	G1B		GIRDER							26,065.74	0.28	26,065.74	
1	w1	PL	5/8 x 46	64	5	5/8	M270	50W	T	03006	6,306.97	0.28	6,306.69
1	t1	PL	2 1/4 x 18	64	5	9/16	M270	50W	T	04001	8,883.88	0.00	8,883.88
1	b1	PL	2 1/4 x 18	64	5	5/8	M270	50W	T	04001	8,884.60	0.00	8,884.60
4	x1a	PL	1/2 x 42	1	7	1/4	M270	50W	T	06001	458.52	0.00	458.52
2	x1b	PL	1/2 x 18	5	1	1/4	M270	50W	T	06002	312.63	0.00	312.63
2	x1c	PL	1/2 x 18	4	1	1/4	M270	50W	T	06003	125.69	0.00	125.69
2	x1g	PL	5/8 x 7	5	1	1/4	M270	50W	T	06005	75.99	0.00	75.99
2	x1h	PL	5/8 x 7	5	1	1/4	M270	50W	T	06005	75.99	0.00	75.99
4	x1k	PL	5/8 x 7	4	1	1/4	M270	50W	T	06006	61.10	0.00	61.10
1	x2a	PL	7/8 x 8 1/2	3	10		M270	50W	T	07001	97.01	0.00	97.01
1	x2d	PL	7/8 x 8 1/2	3	10		M270	50W	T	07001	97.01	0.00	97.01
4	x2m	PL	1/2 x 8 1/2	3	10		M270	50W	T	07003	55.44	0.00	55.44
1	x2p	PL	1/4 x 4 1/4	1	0	1/16	M270	50W		07007	3.63	0.00	3.63
4			STRAIN GAGE						SUPPLIED BY CONTRACTOR				
TOTAL WEIGHT THIS SHEET:										26065.74 lbs.			



NO.	REVISION	BY	CHK'D	DATE
	ADDED DIMENSION TO LOCATE STRAIN GAGE, REMOVED WELDS & CONTRACTOR PLEASE SUPPLY	MGK	WW	8/2/08
Holes	1 5/16 (L.N.)			
BOLTS	NONE	HIGH STEEL STRUCTURES An ISO 9001:2000 Certified Company An Affiliate of High Industries Inc.		
COATING	NONE	GIRDER G1B VT ROUTE 100 (MINOR ARTERIAL) OVER WHITE RIVER VT ROUTE 100 STA. 141+39.00 TO STA. 143+61.00 TOWN OF STOCKBRIDGE, COUNTY OF WINDSOR, VERMONT STATE OF VERMONT AGENCY OF TRANSPORTATION		
SCALE	N.T.S.	STATE CONT. OR REF. NO. 013-4(21)	FED. AID PROJ. NO.	
GENERAL CONTRACTOR	WINTERSET, INC.	HSS PROJ. MGR	DEB KUPRES	
SHPMT	1	DRAWING MANAGER KREIDER (IH)	MADE BY MAF	CHK'D BY CS DATE 6-24-08
STATE	VT	HSS PROJECT NUMBER S-1080077	HSS STRUCT. ID A	DRAWING NUMBER 6 OF 22

RECEIVED
 CK'D BY: J.S. CK'D BY: SFL
 AUG 18 2008
 RESUBMIT APPROVED
 BY: KMH DATE: 8/19/08

PM:ENG: 50043327 PRD: 50043328 SHIPRECT: 50043329

SHIPMENT 01

BY: baeover
 PLOTTED: 8/4/2008 8:24:08 AM