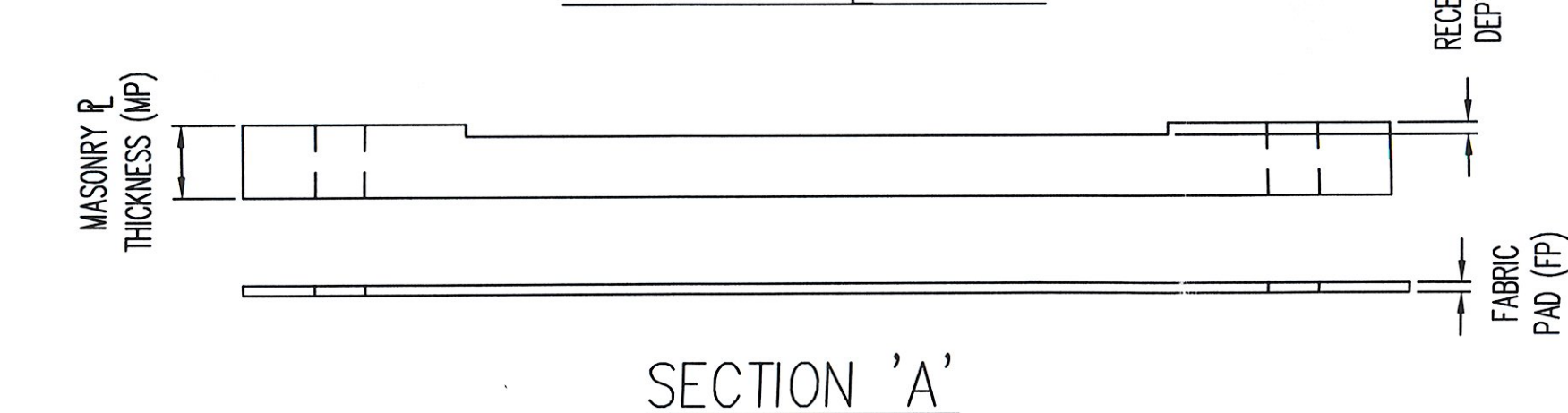
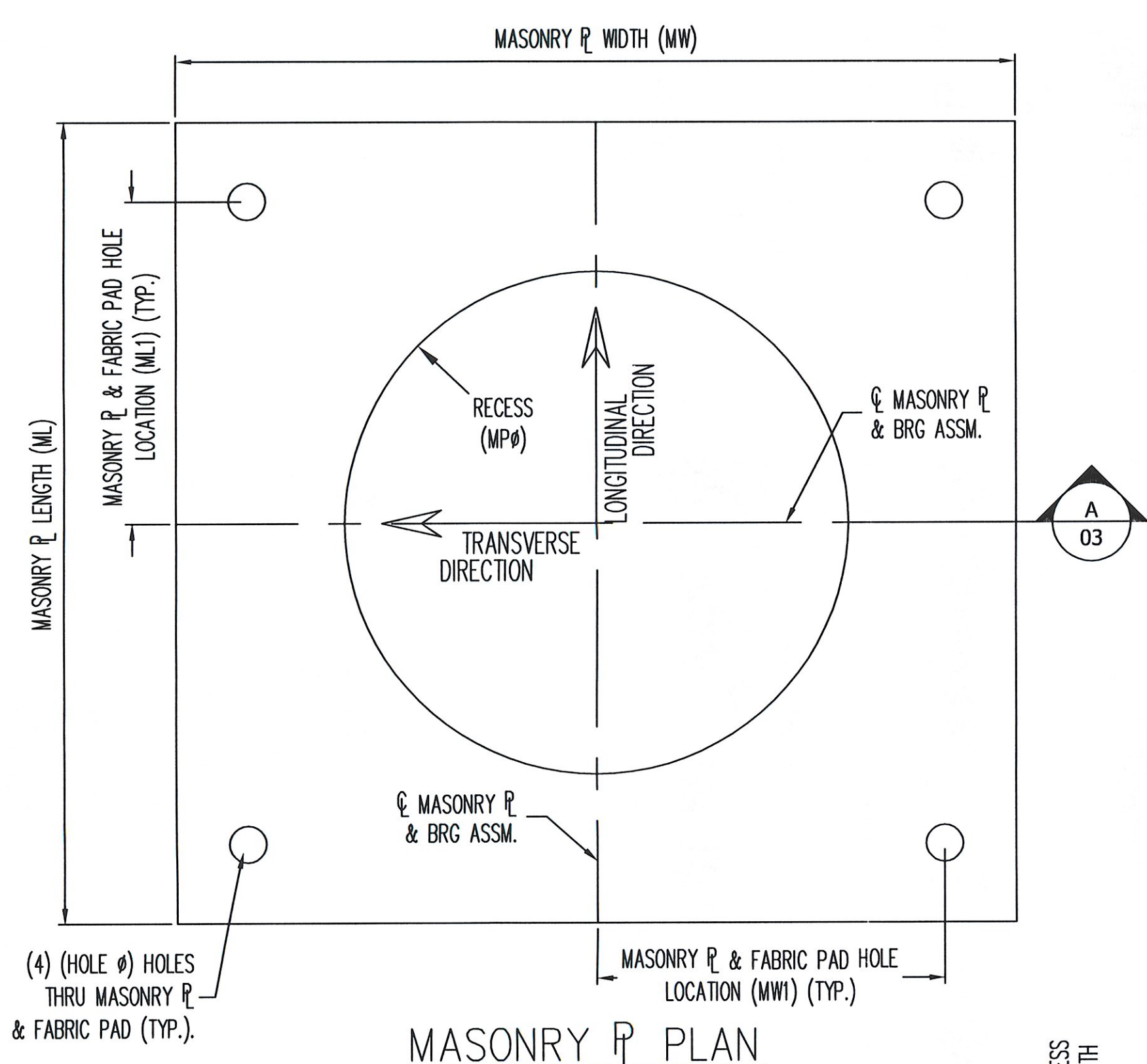
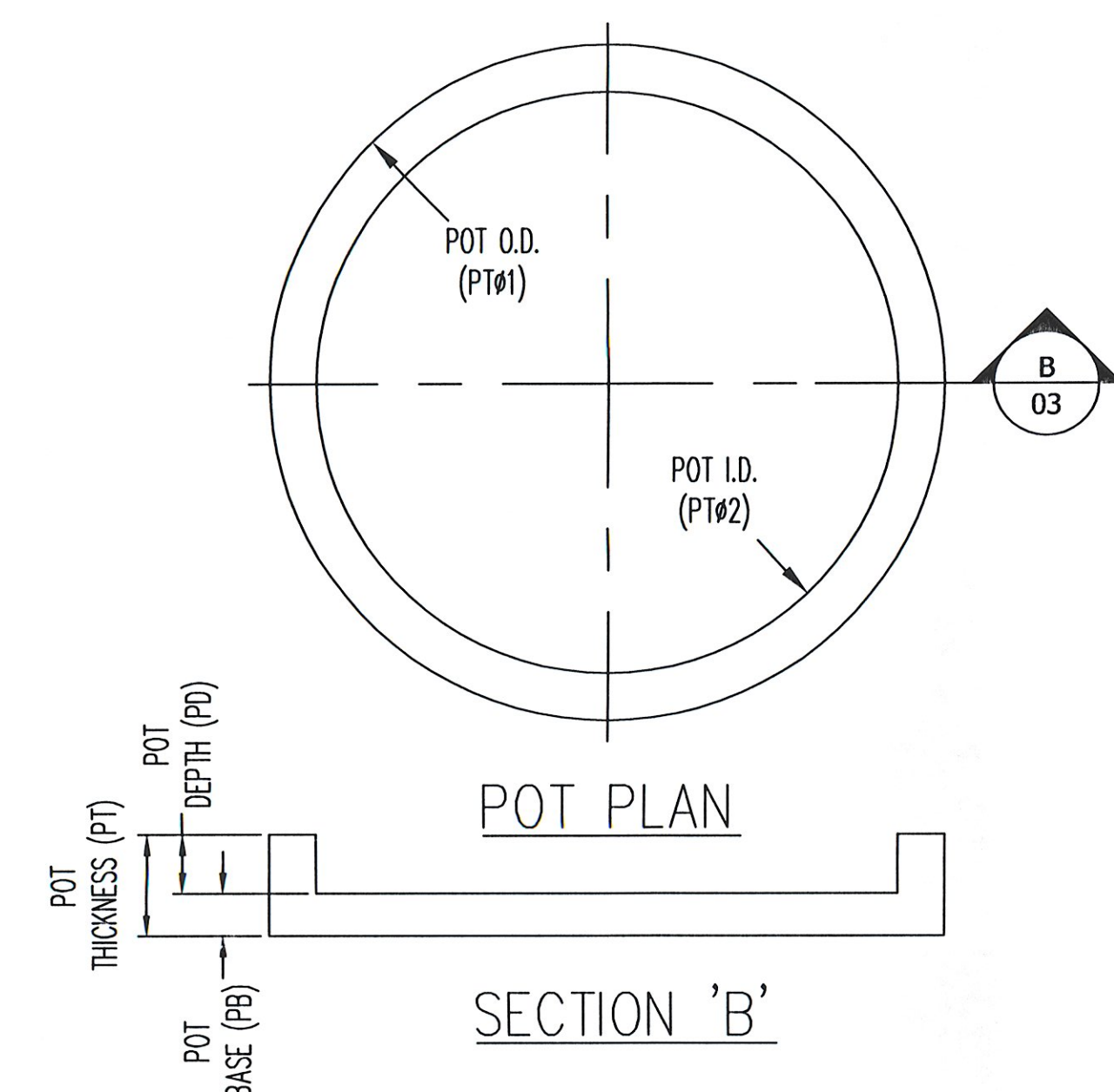


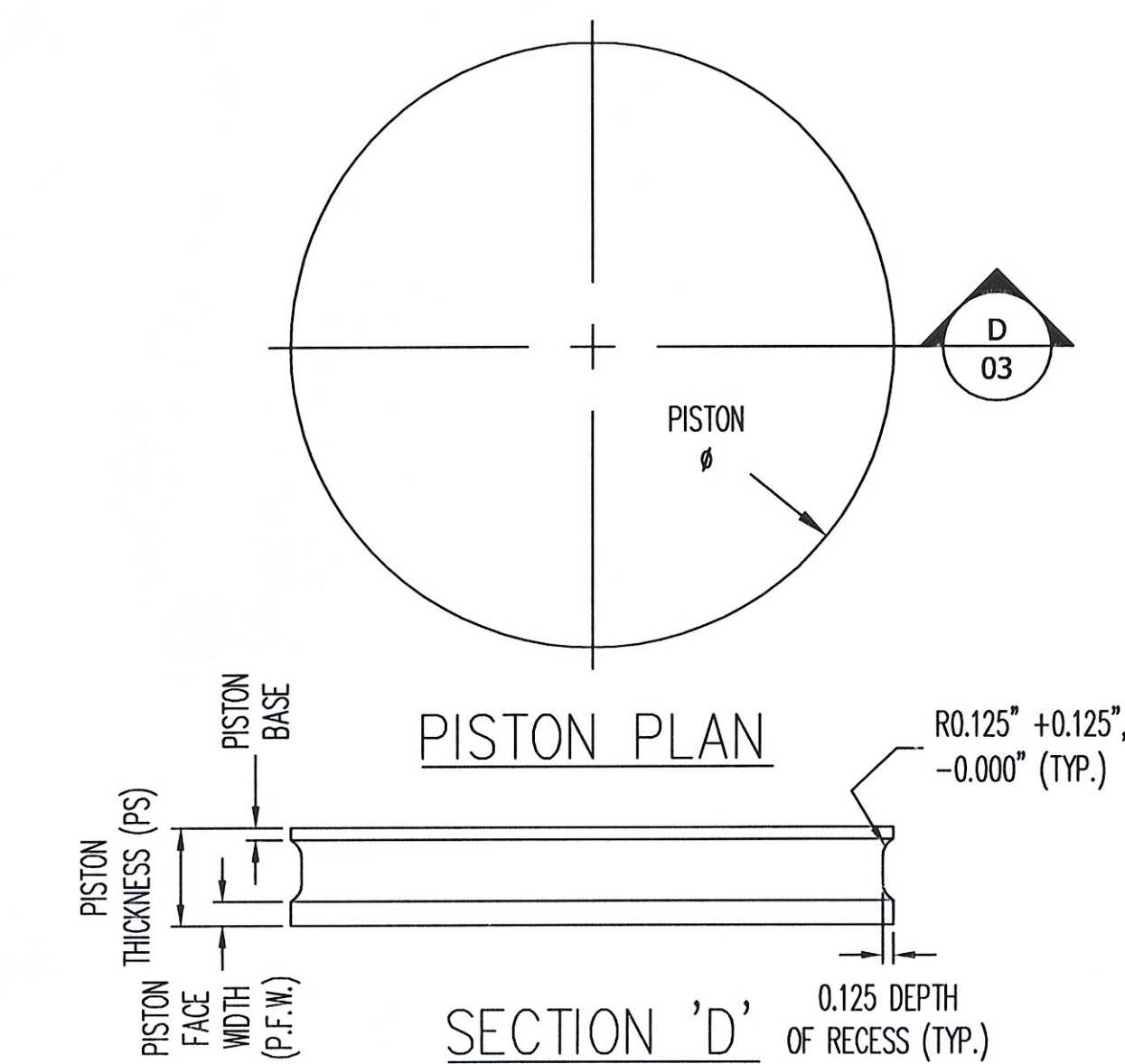
ASSEMBLY 01



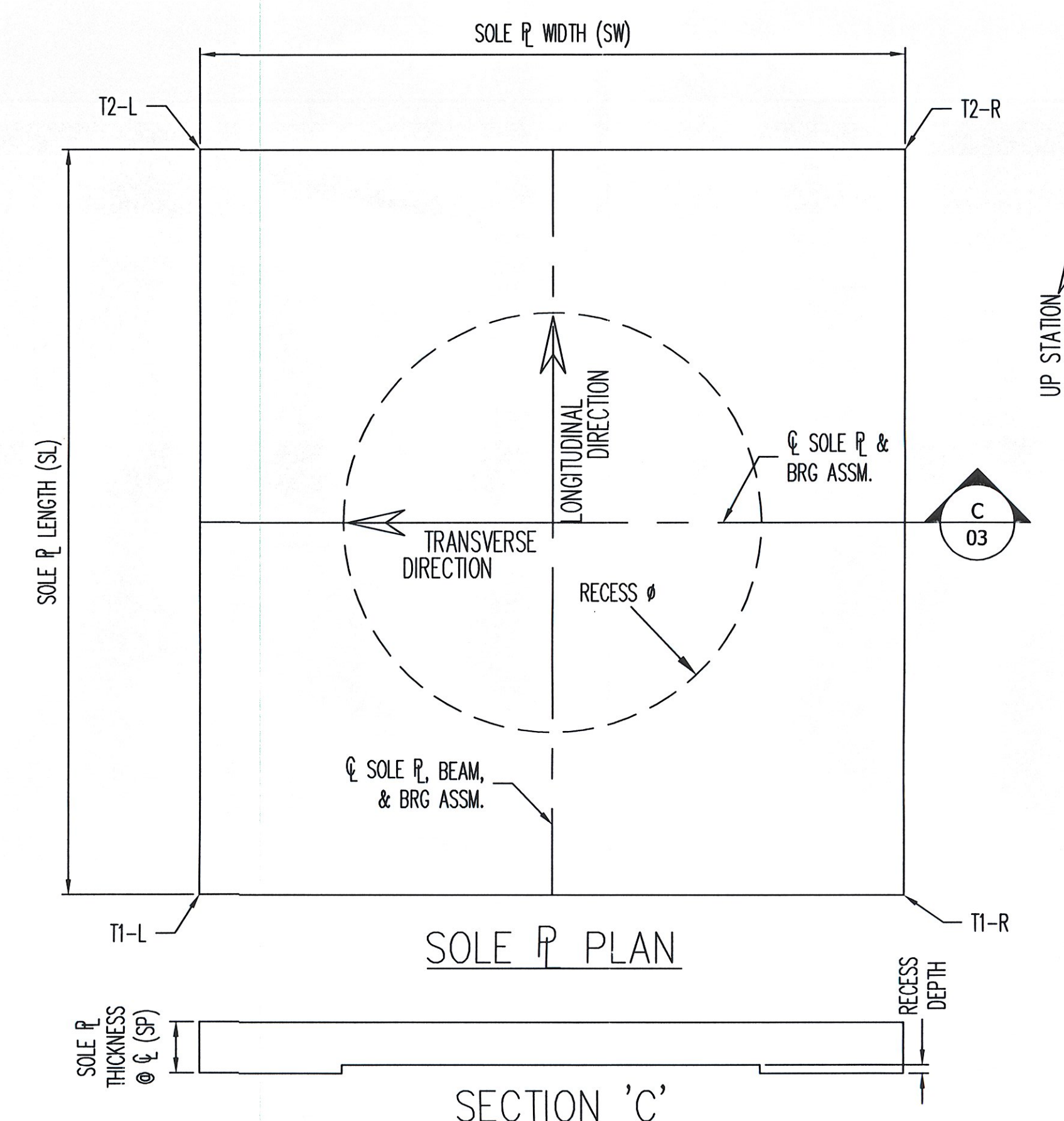
ASSEM MK	PIECE MK	QTY	MP	MW	ML	MW1	ML1	RECESS MPØ	RECESS DEPTH	HOLE Ø	UL MK	UL FP	UL MATERIAL	MASONRY PL MATERIAL
1A	1mp1	2	1.750	30.000	21.000	12.750	5.250	15.063	0.250	1.875	1fp1	0.125	VT 731.01	A709 GR 50W



ASSEM MK	PIECE MK	QTY	PT	PT Ø1	PT Ø2	PB	PD	POT PL MATERIAL
1A	1pt1	2	3.350	15.000	12.125	1.467	1.883	A709 GR 50W



ASSEM MK	PIECE MK	QTY	PISTON PS	PISTON Ø	PISTON PFW	PISTON BASE	PISTON MATERIAL
1A	1ps1	2	1.390	12.085	0.326	0.250	A709 GR 50W



ASSEM MK	PIECE MK	QTY	BEVEL T1-L	BEVEL T1-R	BEVEL T2-L	BEVEL T2-R	SP	SW	SL	RECESS SPØ	SP RECESS DEPTH	SOLE PLATE MATERIAL
1A	1sp1	2	1.875	1.875	1.500	1.500	1.688	21.000	21.000	12.148	0.250	A709 GR 50W

SEE SHT. 01 FOR ASSEMBLY DETAILS & LOCATIONS.
SEE SHT. 01 FOR GENERAL NOTES & COATING LIMITS.
ALL DIMENSIONS ARE IN INCHES UNLESS OTHERWISE NOTED.

RECEIVED
CHECKED BY JEL
DATE JUN 05 2008
APPROVED BY JEL
DATE 6/24/08

REV.	DESCRIPTION	DATE	DET.	CKD.
1	LOCATION — VT RTE. 100 (MINOR ARTERIAL) OVER WHITE RIVER			
2	PROJECT — (STP) BR# 013-4(21)			
3	P.O. NO. — C2120			
4	DESIGNER — VT DOT			
5	CUSTOMER — WINTERSET, INC.			

ITEM	QUANTITY
—	—
—	—
—	—
—	—
—	—
—	—
—	—
—	—
—	—
—	—

SCALE	GRAPH BY	DESIGNED BY	DATE
N.T.S.	DA	RSS	5/29/08
PROJECT NUMBER	PRODUCT CODE	RELEASE	SHEET
23160	1112	1	03