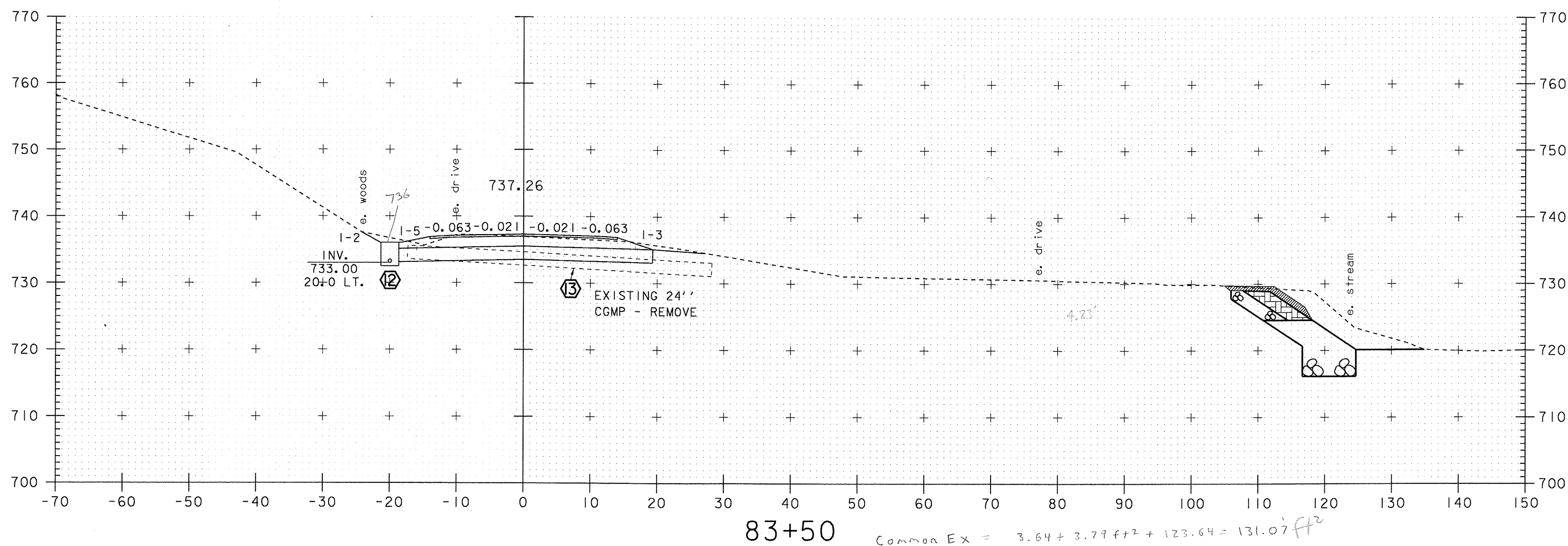
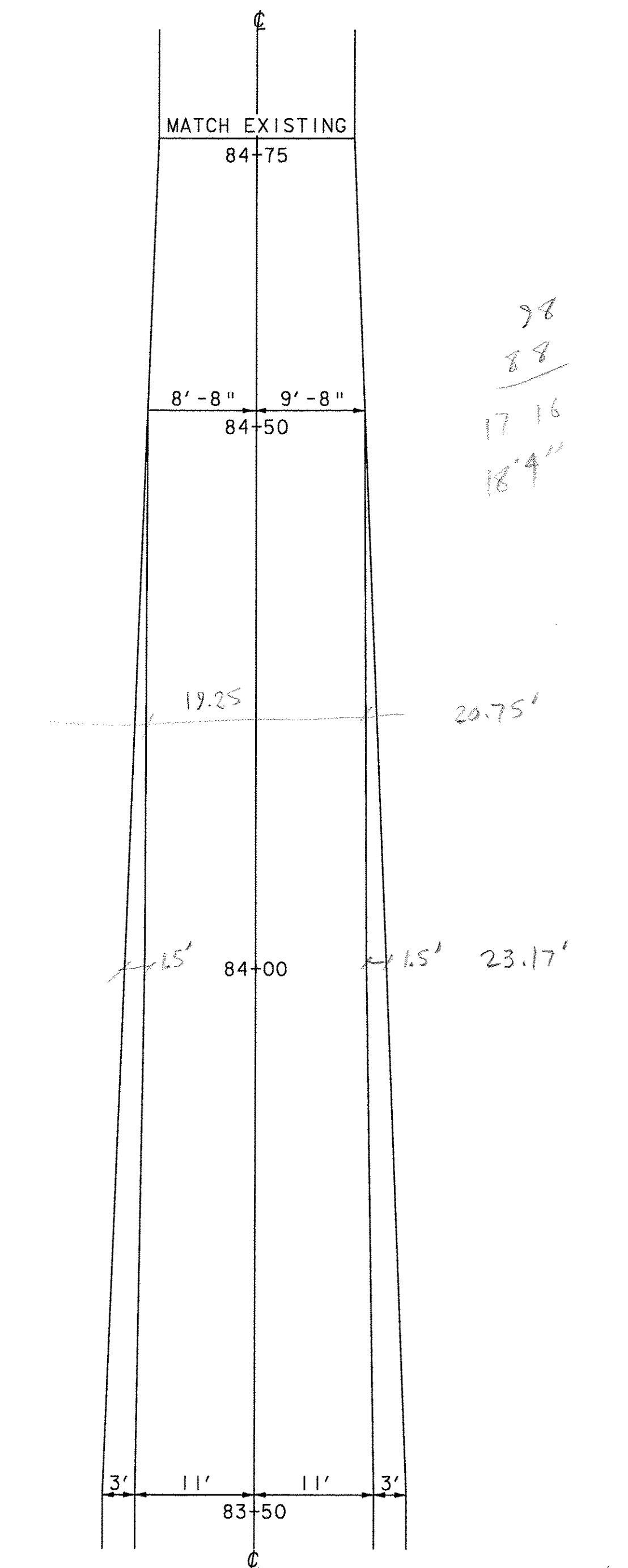


Common EX =  $2.66 + 136.18 \text{ ft}^2 = 138.84 \text{ ft}^2$   
 EB =  $0.40 + 7.85 \text{ ft}^2 = 8.25 \text{ ft}^2$   
 DGCS =  $43.34 \text{ ft}^2$  38.81 @ 84+25  
 Sand =  $58.70 \text{ ft}^2$   
 Agg Surface =  $7.0 \text{ ft}^2$

Trench Earth =  $33.25 \text{ ft}^2$  for 24" Pipe



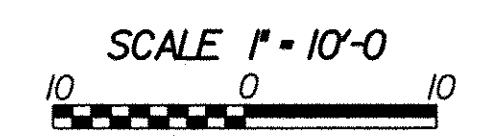
Common EX =  $3.64 + 3.79 \text{ ft}^2 + 123.64 = 131.07 \text{ ft}^2$   
 EB =  $3.12 \text{ ft}^2$   
 DGCS =  $51.93 \text{ ft}^2$   
 Sand =  $75.98 \text{ ft}^2$   
 Agg Surface =  $8.17 \text{ ft}^2$



WIDTH TRANSITION

**TIMBER RIVER ROAD**  
**CROSS SECTIONS**  
**STA. 83+50 - STA. 84+00**

|                 |                            |
|-----------------|----------------------------|
| PROJECT NAME-   | STOCKBRIDGE                |
| PROJECT NUMBER- | BRF 013-4 (21)             |
| FILE NAME-      | /78 f238/str5/df268xs1.dgn |
| PROJECT LEADER- | K. HIGGINS                 |
| DESIGNED BY-    | T. SUMNER                  |
| FILE NAME-      | df23rx3.i                  |
| PLOT DATE-      | 06-FEB-2008                |
| DRAWN BY-       | G. SHANGRAW                |
| CHECKED BY-     | T. FILLBACH                |
| SHEET           | 131 OF 144                 |



NRC 12/16/09  
DGB/1/11