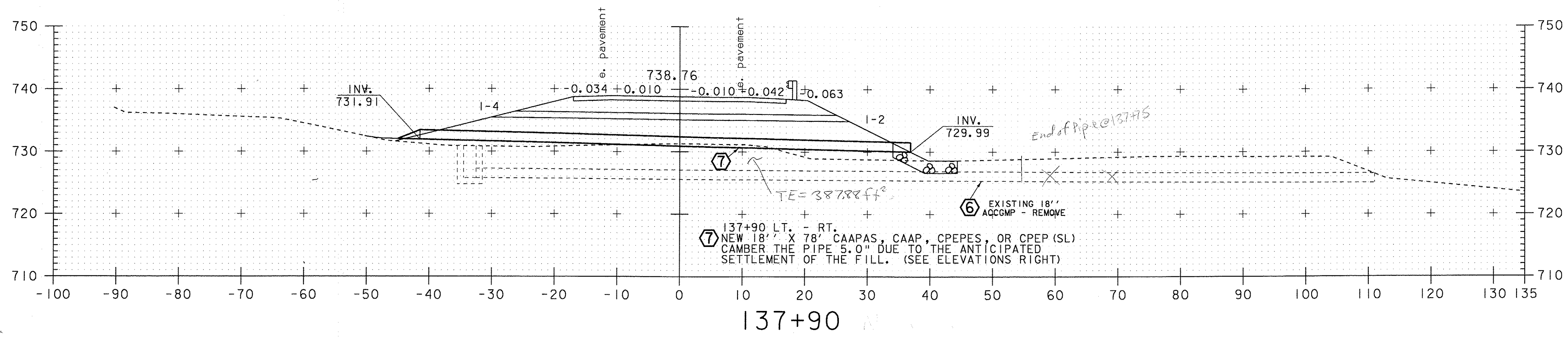


Common ex  
 EB  $A_1 = 244.69 \text{ ft}^2$   $A_1 + A_2 = 348.91 \text{ ft}^2$   
 DGCS  $80.38 \text{ ft}^2$   
 Sand  $43.19 \text{ ft}^2$



CAMBER CHART FOR  
 137+90 CL  
 NEW 18" OPTION PIPE

OFFSET	ELEVATION
-42	731.91
-32	731.86
-22	731.74
-12	731.57
-02	731.35
08	731.07
18	730.74
28	730.35
36	723.99

NRC 12/16/09  
 OGB 1/13/11

**MAINLINE CROSS SECTIONS  
 STA. 137+90 - STA. 138+00**

PROJECT NAME-	STOCKBRIDGE
PROJECT NUMBER-	BRF 013-4 (21)
FILE NAME- /78f238/str5/df268xsl.dgn	PLOT DATE- 06-FEB-2008
PROJECT LEADER- K. HIGGINS	DRAWN BY- G. SHANGRAW
DESIGNED BY- T. SUMNER	CHECKED BY- T. FILLBACH
df238x07.i	SHEET 115 OF 144

