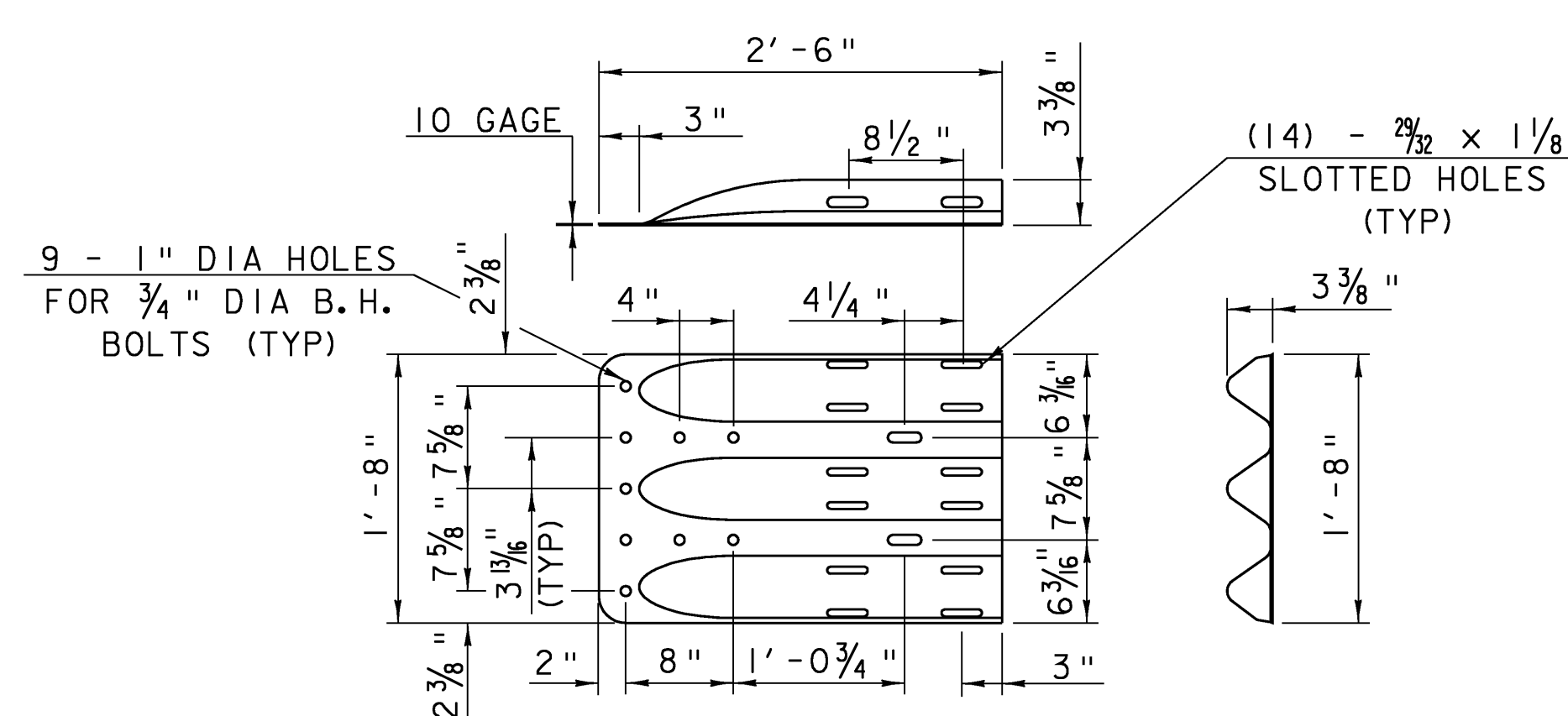
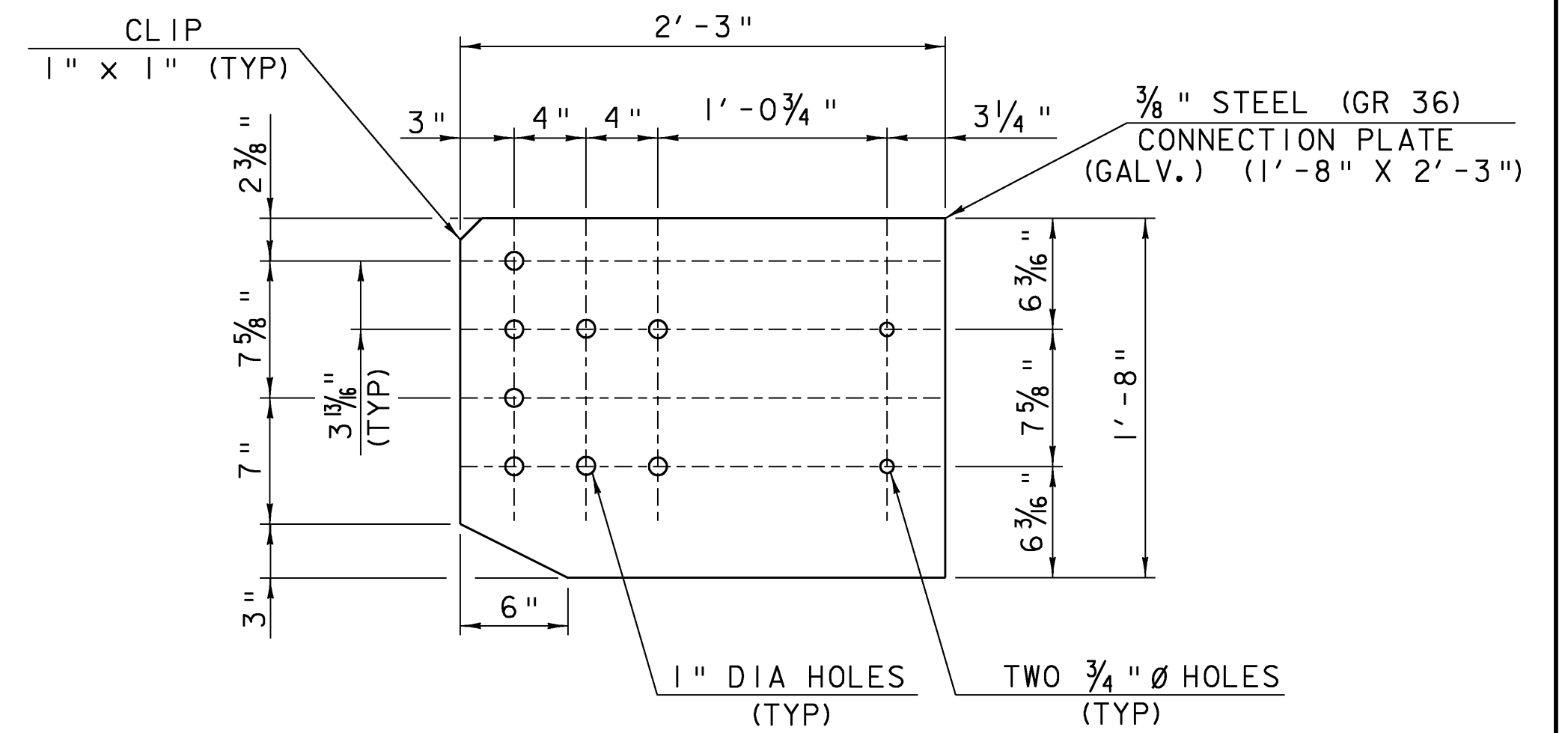


WOOD POST-RAIL ASSEMBLY

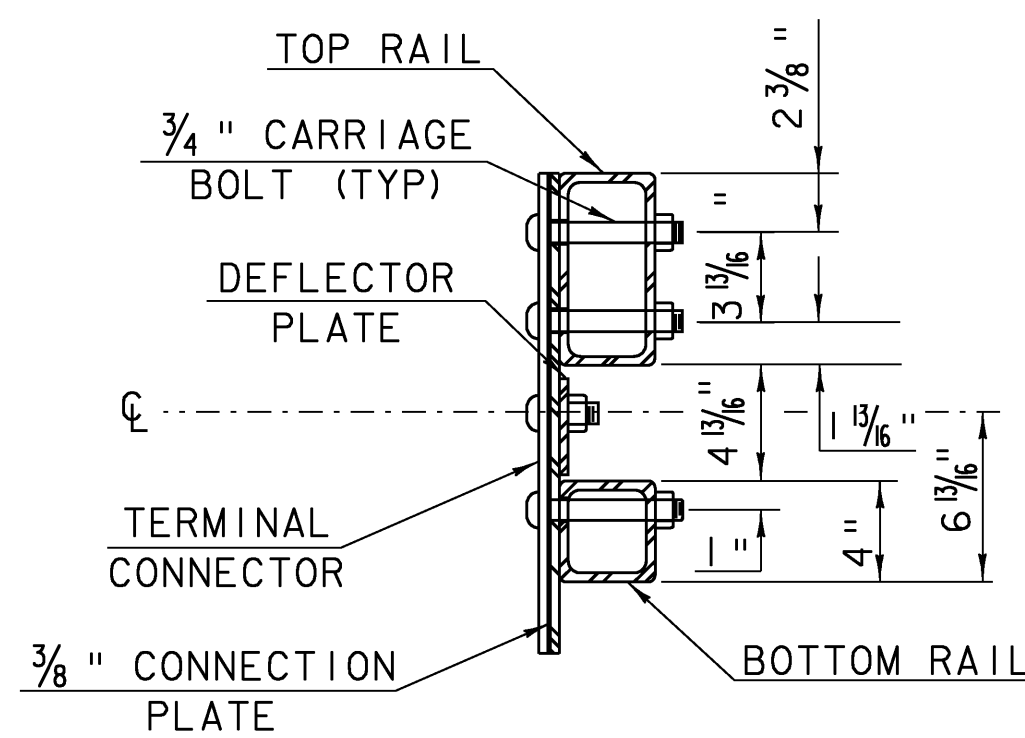
*** CHANGE SLOPE FROM 1" IN 12" AT BRIDGE TO 1" IN 6" PER STANDARD C-1 OVER A DISTANCE OF 10'-0"



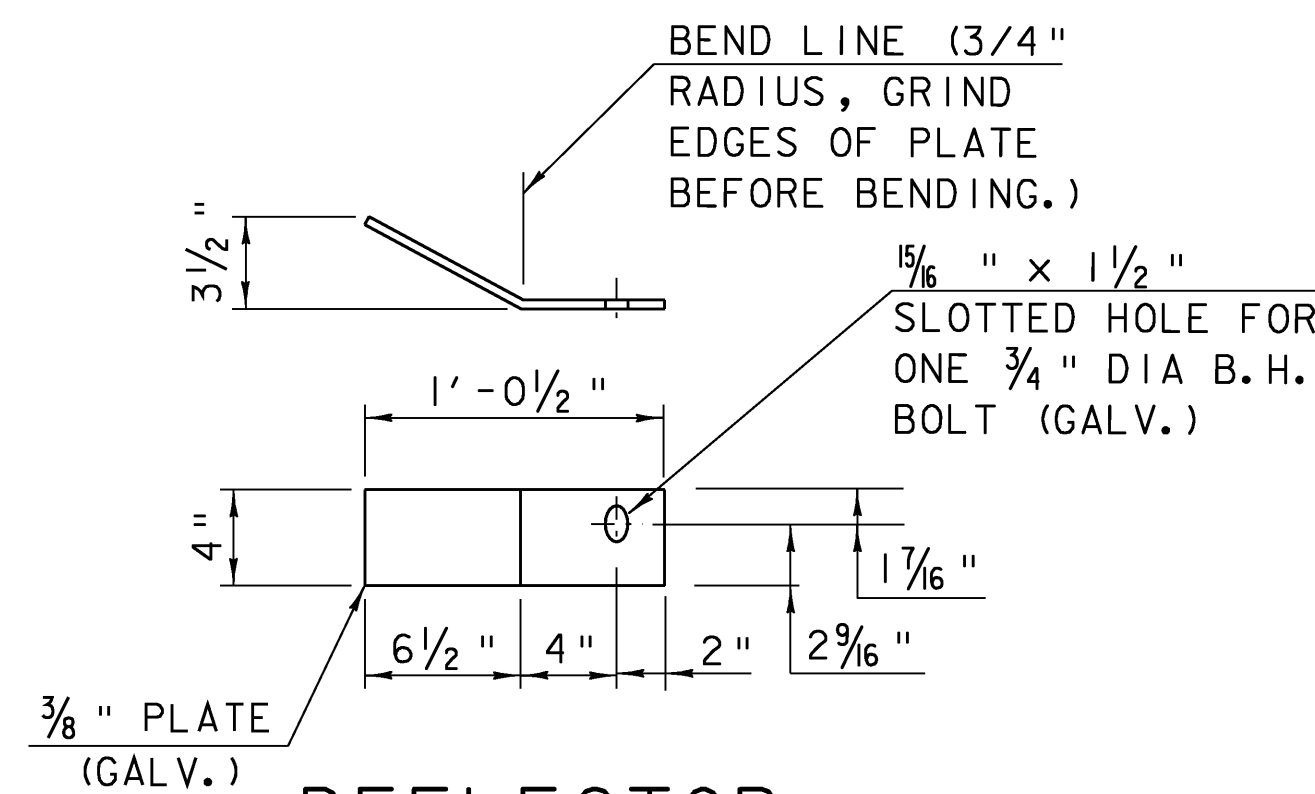
THREE-BEAM TERMINAL CONNECTOR (HM-TF-13/RE-67)



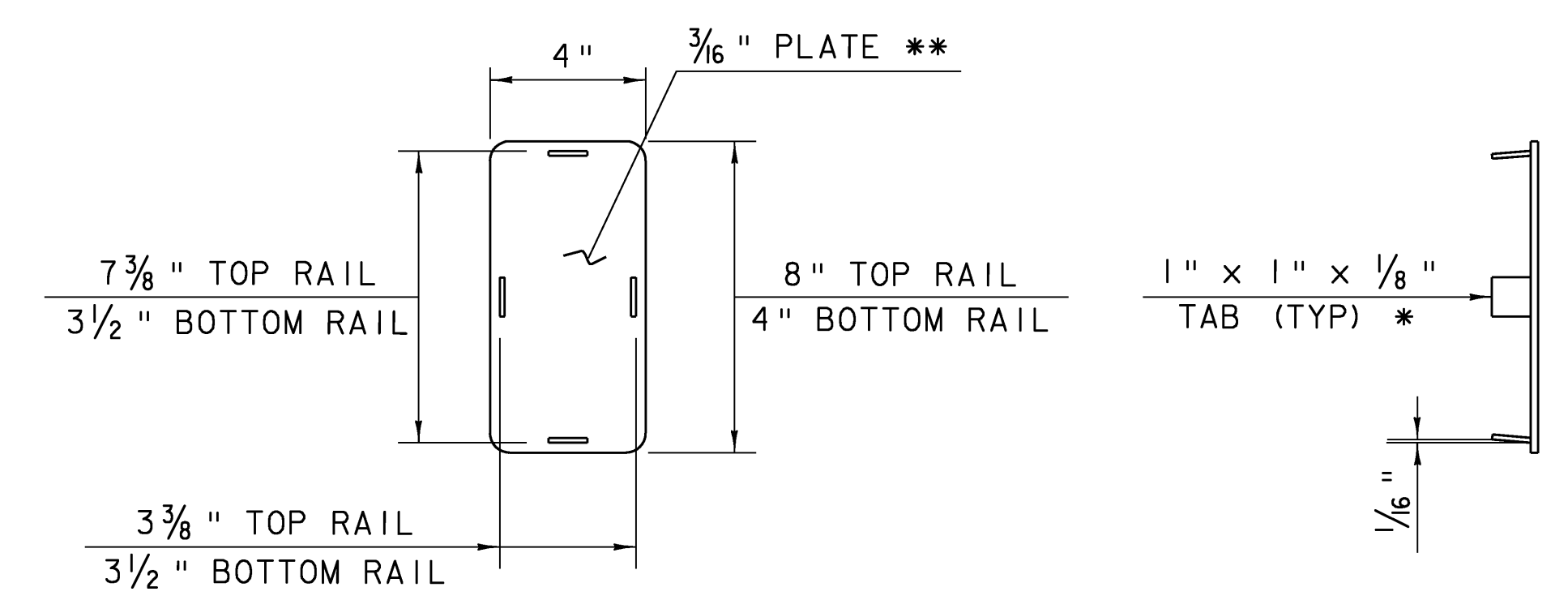
CONNECTION PLATE



SECTION C-C (CONNECTION PLATE)

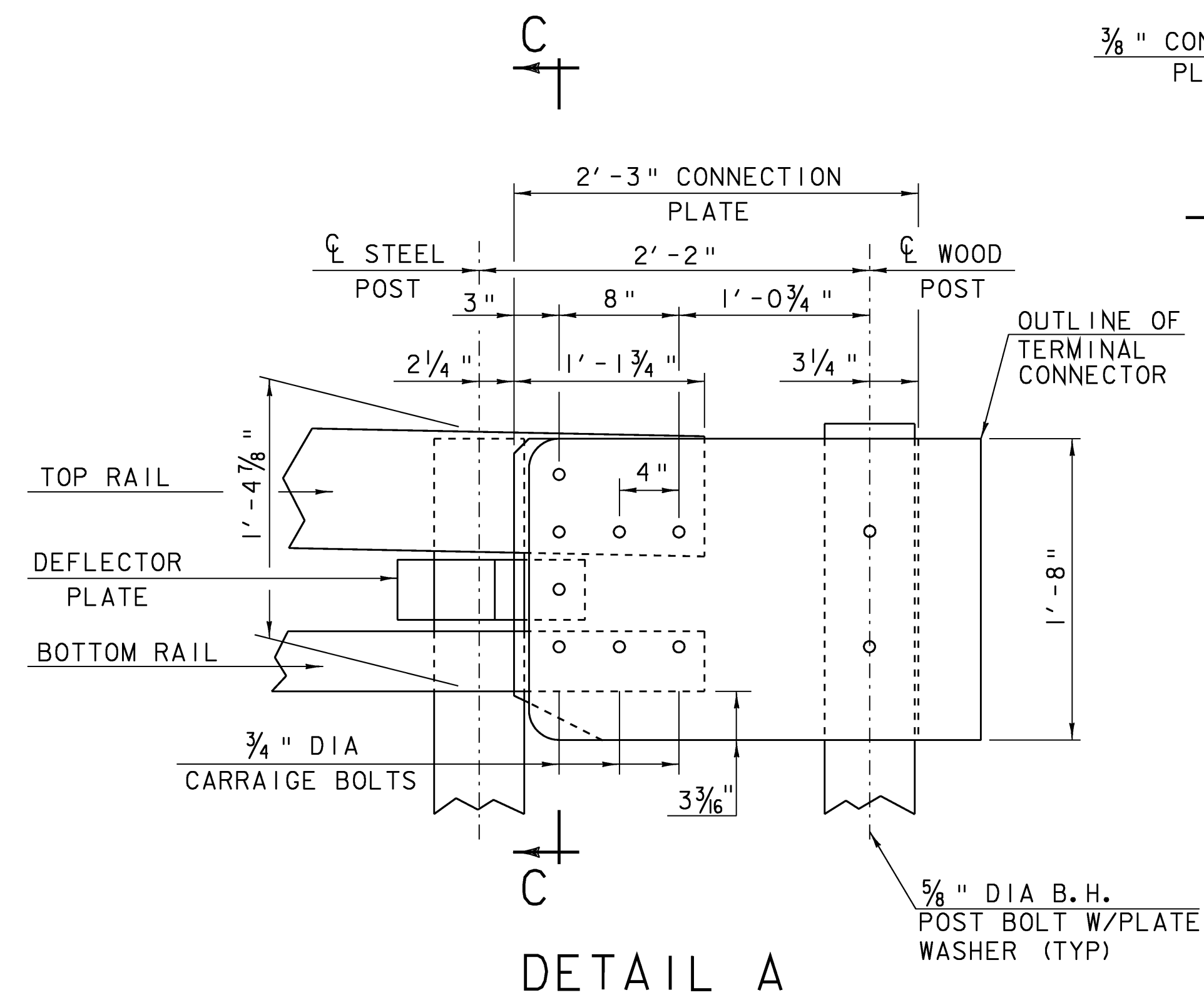


DEFLECTOR PLATE DETAIL

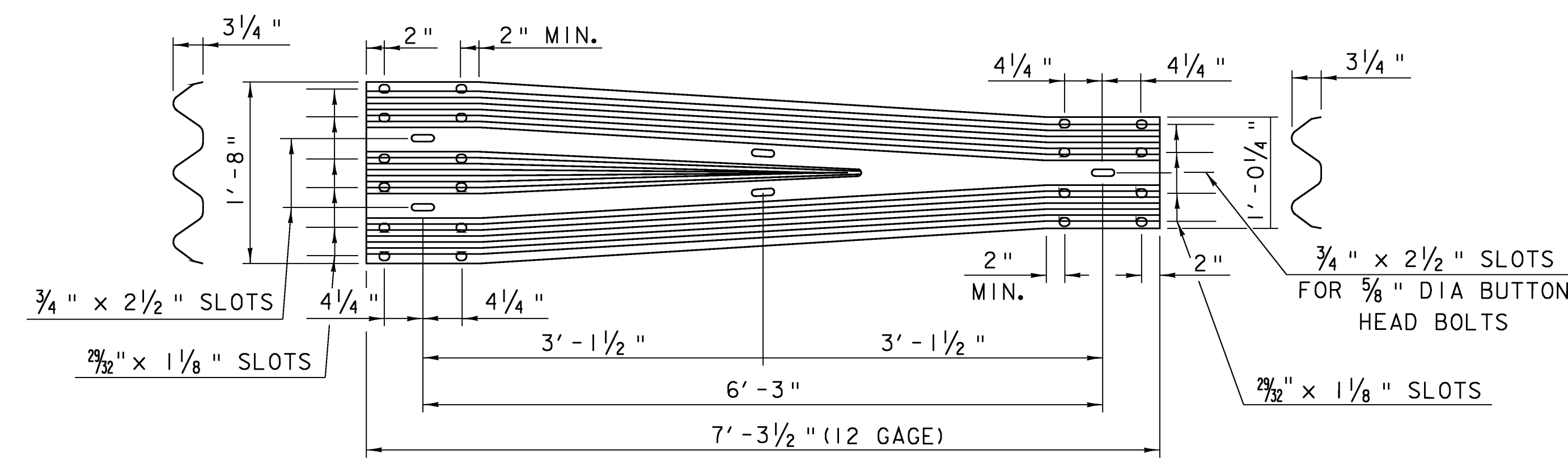


END CAP DETAIL

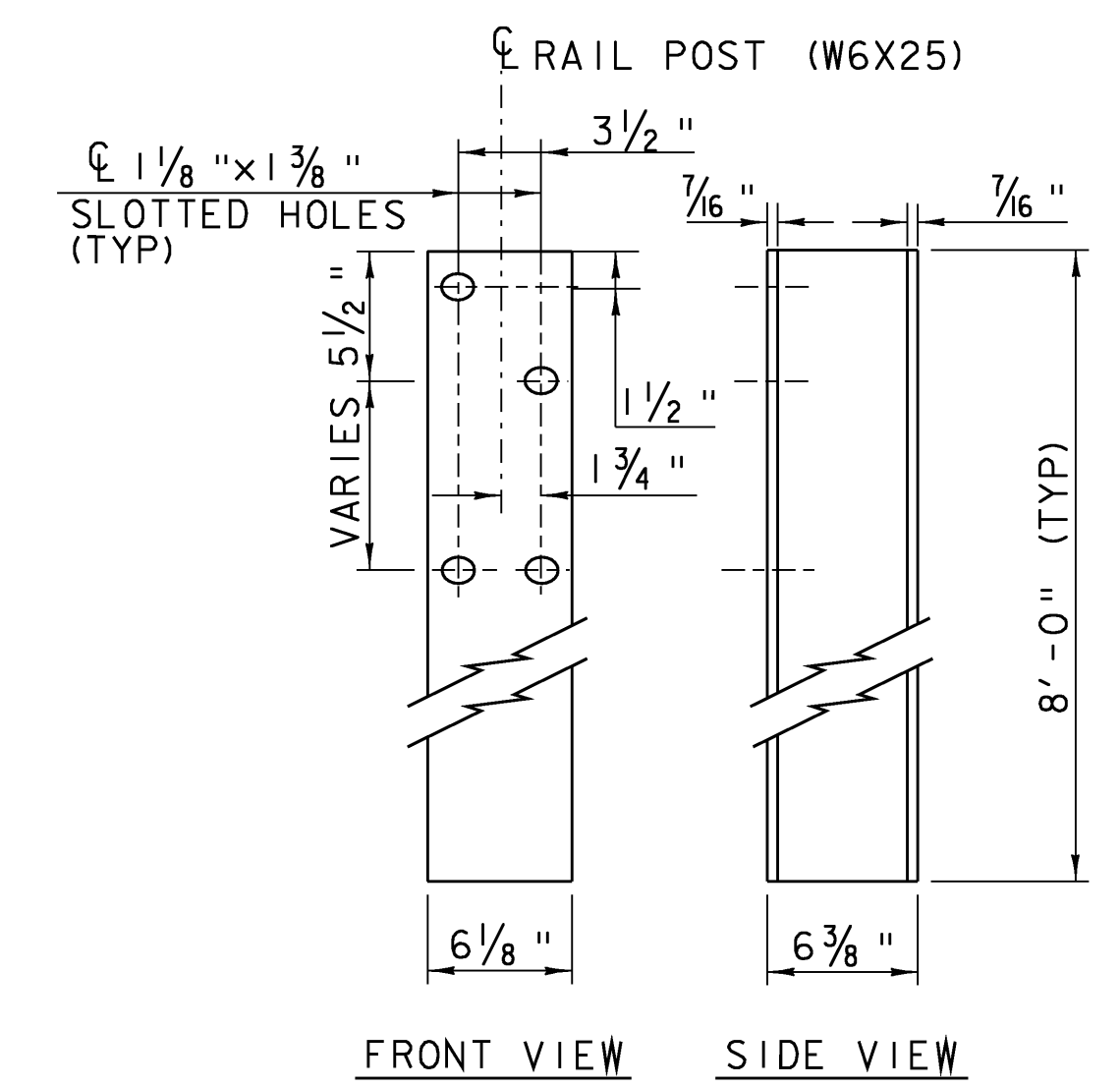
* WELD TABS TO END CAP PLATE IN TAPERED POSITION SO CAP CAN BE JAMMED INTO END OF RAIL TUBE.
 ** ROUND CORNERS 1/2" RADIUS (TYP)



DETAIL A



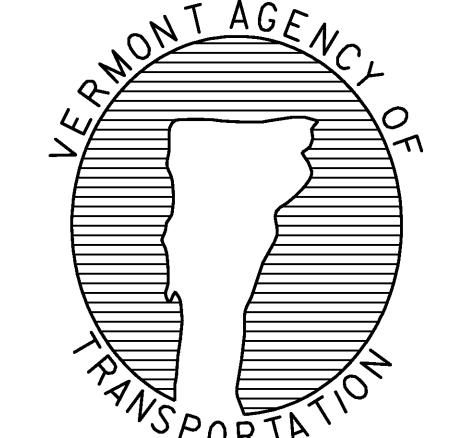
THREE-BEAM TO STD SB TRANSITION SECTION (HM-TF-13/RE-69)



RAIL POST

PROJECT NAME: STOCKBRIDGE
 PROJECT NUMBER: BRF 013-4 (21)

**BRIDGE RAILING - NETC 2 RAIL
 - THREE BEAM APPROACH RAIL**



**DETAIL
 BR3**