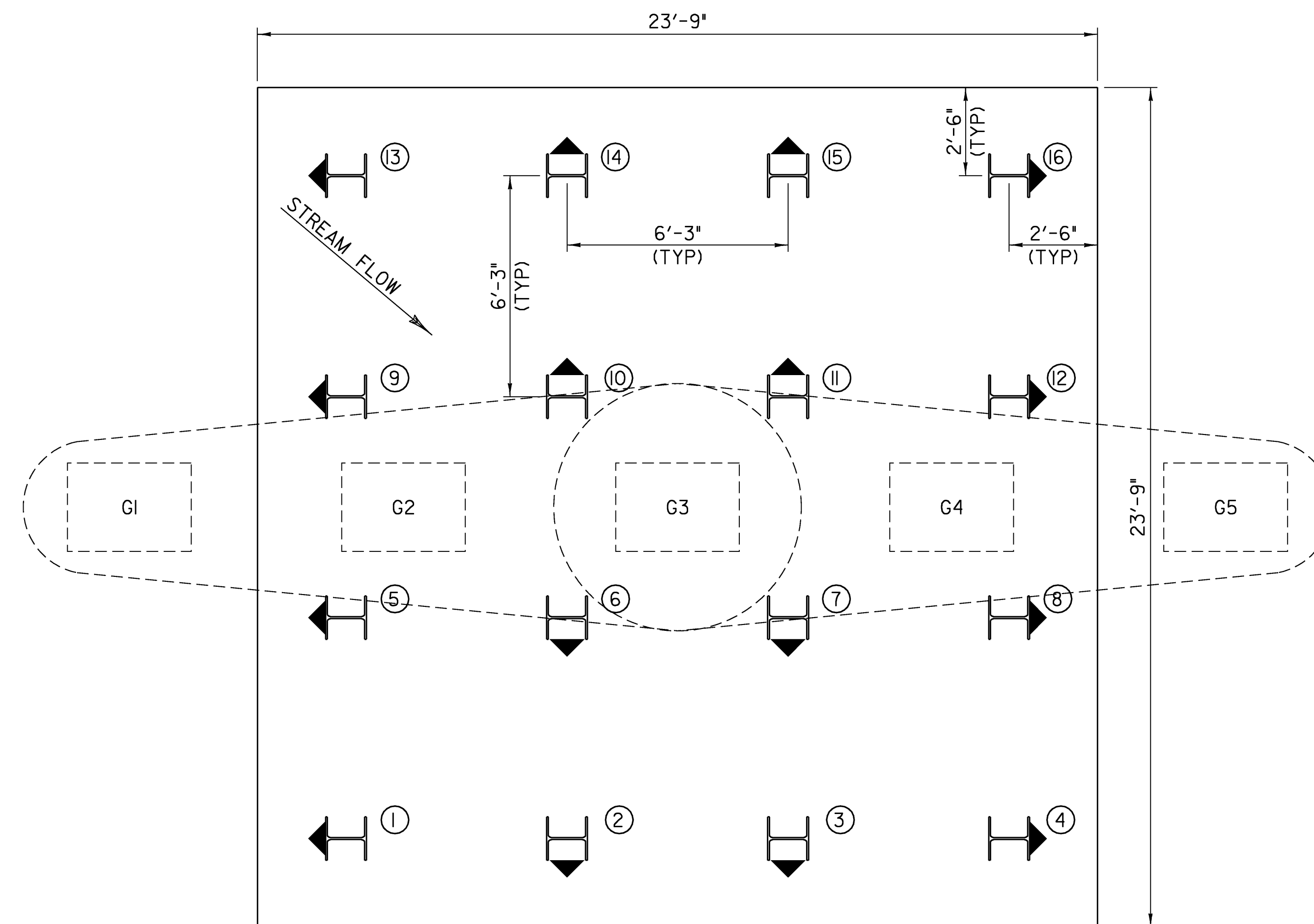
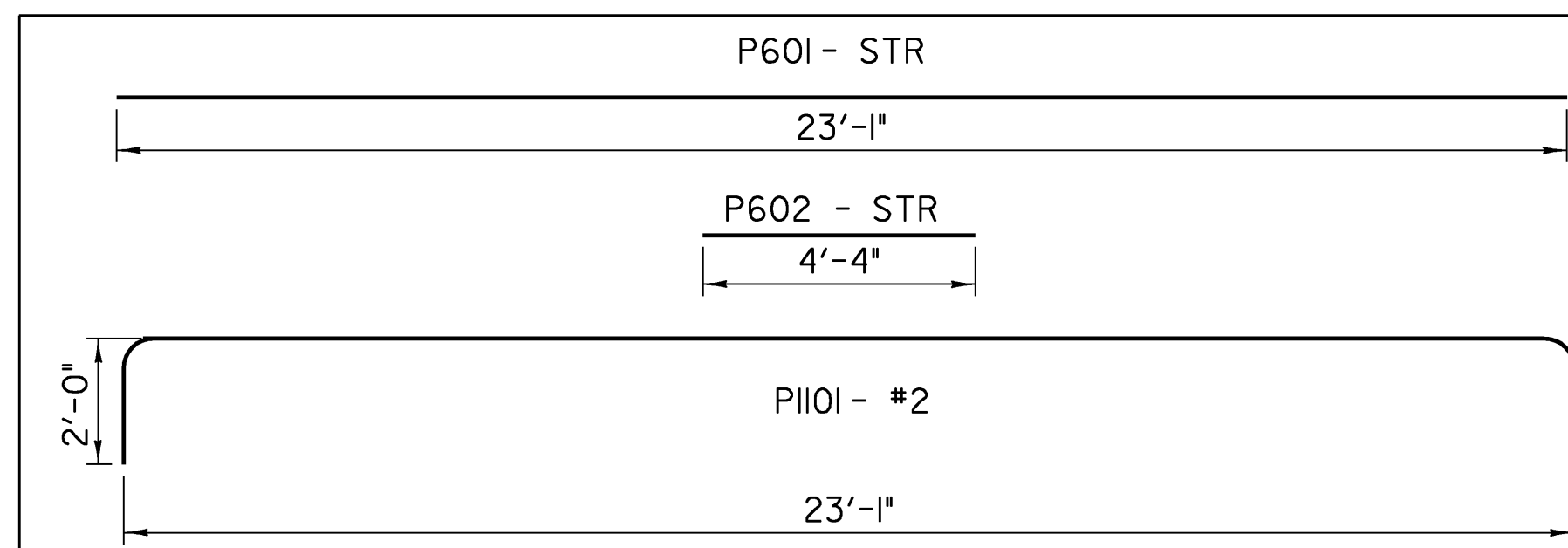


PIER REINFORCING STEEL

**NOTE:**

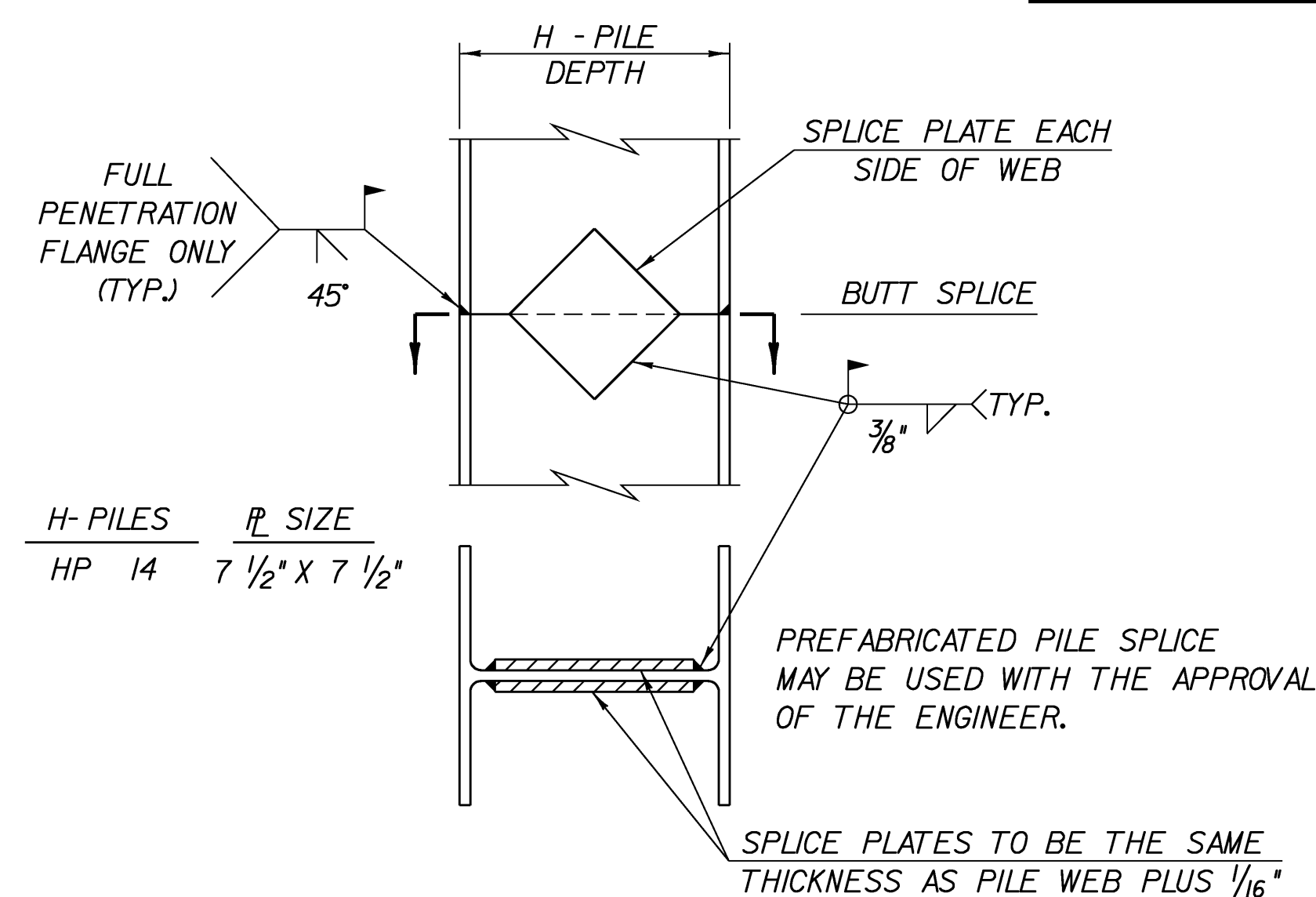
NF = NEAR FACE  
FF = FAR FACE  
EF = EACH FACE  
▲ = CUT TO FIT IN FIELD  
4" CLR. UNLESS OTHERWISE SPECIFIED ON THE PLANS.



PIER H-PILE LAYOUT

**PILE NOTES:**

1. H - INDICATES LOCATION OF A VERTICAL H-PILE
2. H - INDICATES LOCATION OF A BATTERED H-PILE BATTER 1" PER FOOT



DETAIL OF PILE SPLICE  
NTS

**PIER FOOTING REINFORCING & PILE LAYOUT**

PROJECT NAME: STOCKBRIDGE  
PROJECT NUMBER: BRP 013-4(21)

FILE NAME: /78f238/str5/sf238sub.dgn  
PROJECT LEADER: K. HIGGINS  
DESIGNED BY: T. FILLBACH  
sf238ppl1

PLOT DATE: 06-FEB-2008  
DRAWN BY: R. PELLETT  
CHECKED BY: J. LACROIX  
SHEET 93 OF 144

