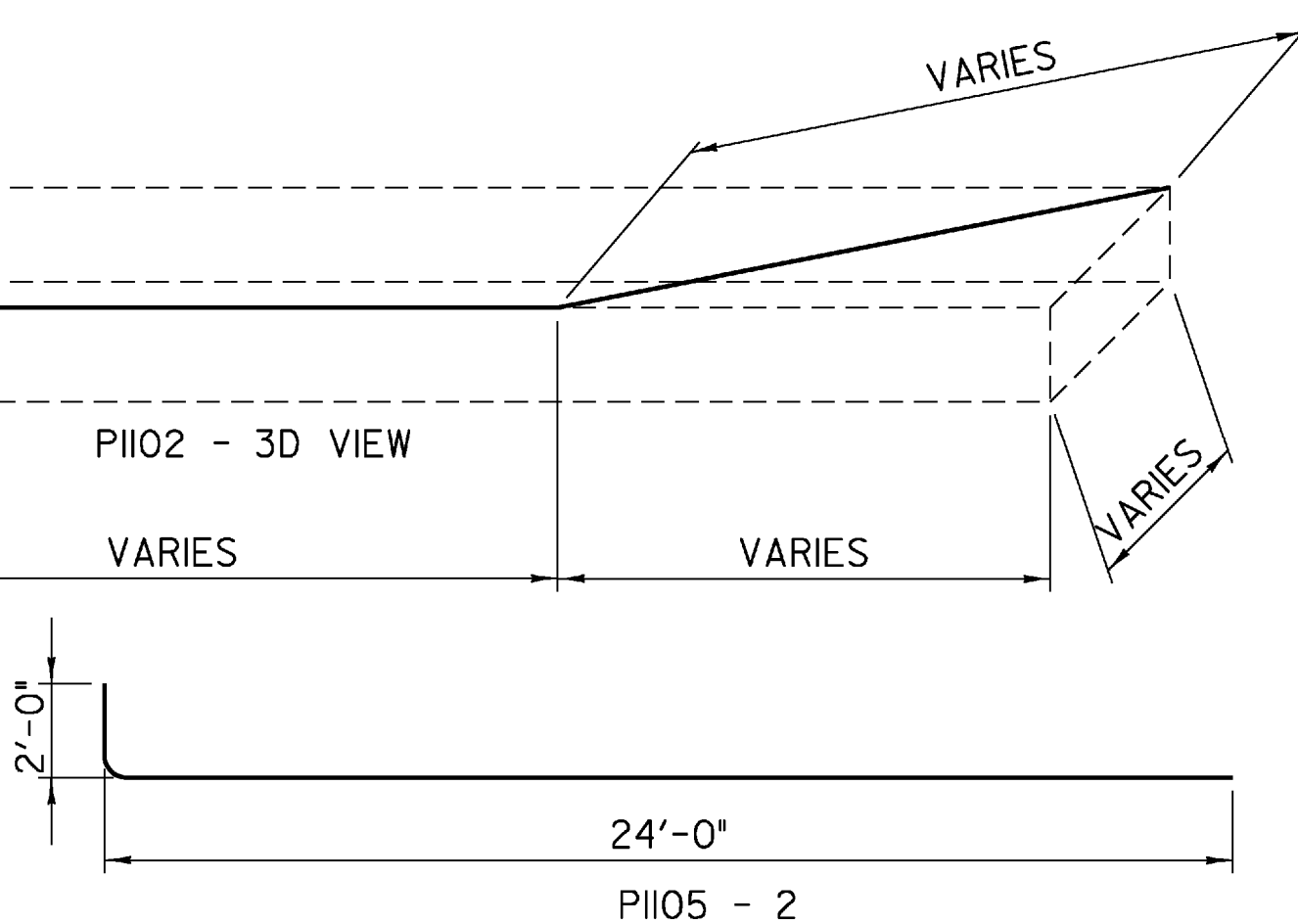


STIRRUP TABLE

SECTION	# STIRRUPS	SPACING	BAR #
A-A	1 STIRRUP	6 SPACES @ 8" = 4'-0"	P603 STIRRUP
B-B	2 STIRRUPS	5 SPACES @ 8" = 3'-4"	P604 STIRRUP
C-C	3 STIRRUPS	8 SPACES @ 8" = 5'-4"	P605 STIRRUP
D-D	3 STIRRUPS	9 SPACES @ 8" = 6'-0"	P606 STIRRUP
E-E	3 STIRRUPS	8 SPACES @ 8" = 5'-4"	P607 STIRRUP
F-F	2 STIRRUPS	5 SPACES @ 8" = 3'-4"	P608 STIRRUP
G-G	1 STIRRUP	6 SPACES @ 8" = 4'-0"	P609 STIRRUP

NOTE:
NF = NEAR FACE
FF = FAR FACE
EF = EACH FACE
CTC = CENTER TO CENTER
▲ = CUT TO FIT IN FIELD
4" CLR. UNLESS OTHERWISE SPECIFIED ON THE PLANS.



PIER REINFORCING

PROJECT NAME: STOCKBRIDGE
PROJECT NUMBER: BRP 013-4(21)
FILE NAME: /78f238/s+r5/sf238sub.dgn
PROJECT LEADER: K. HIGGINS
DESIGNED BY: T. FILLBACH
sf238pre.1

PLOT DATE: 06-FEB-2008
DRAWN BY: R. PELLET
CHECKED BY: T. SUMNER
SHEET 92 OF 144