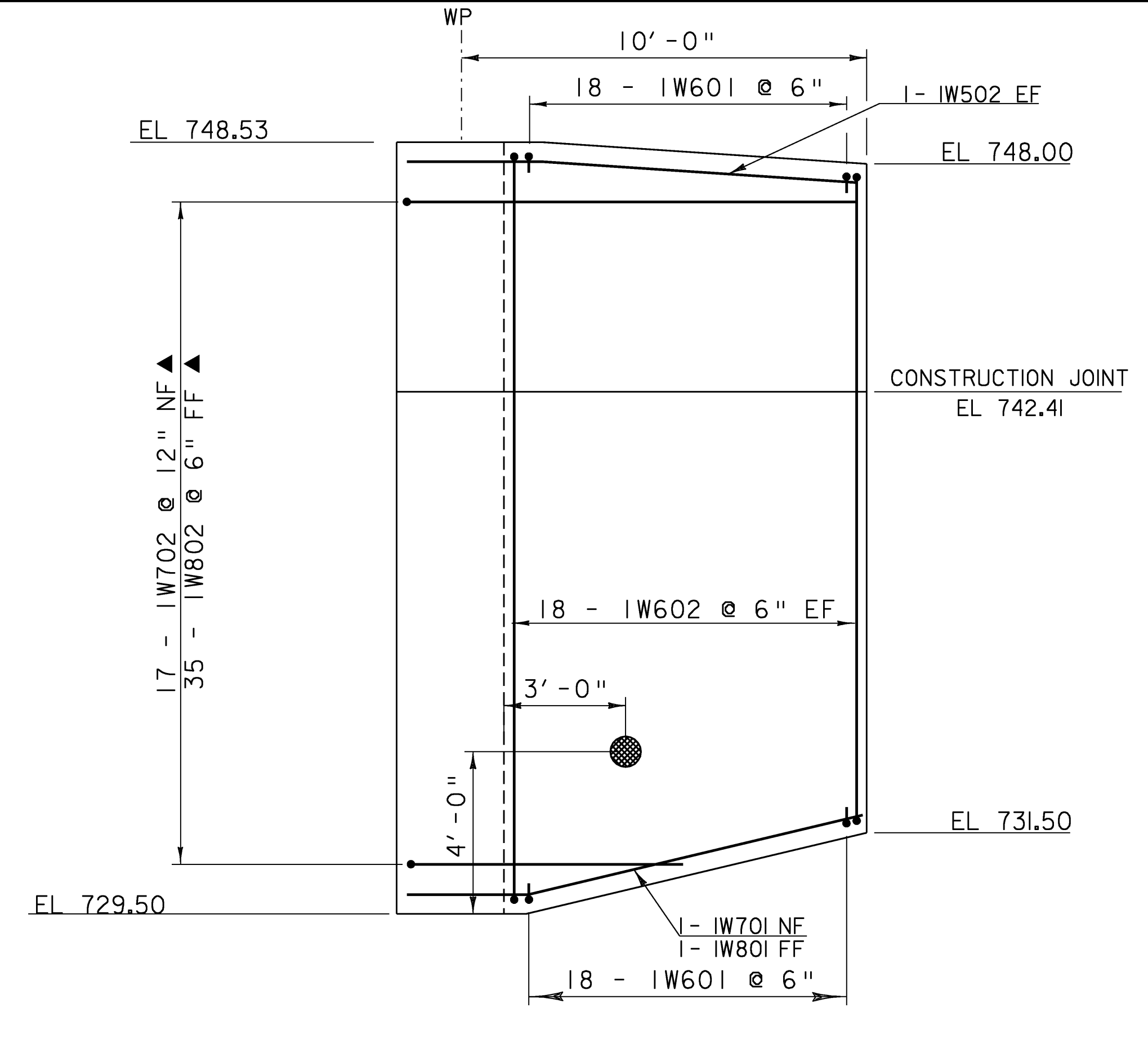
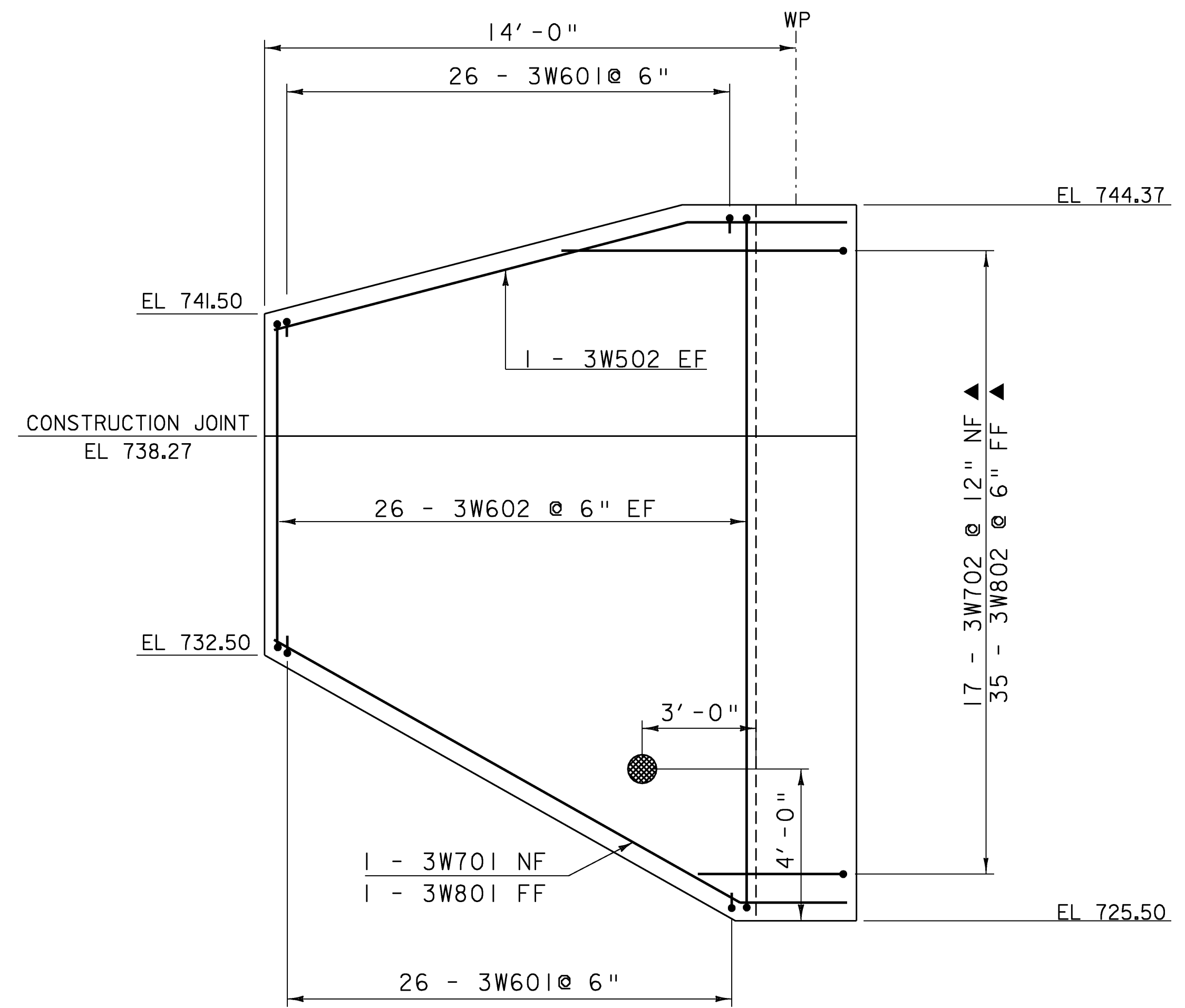


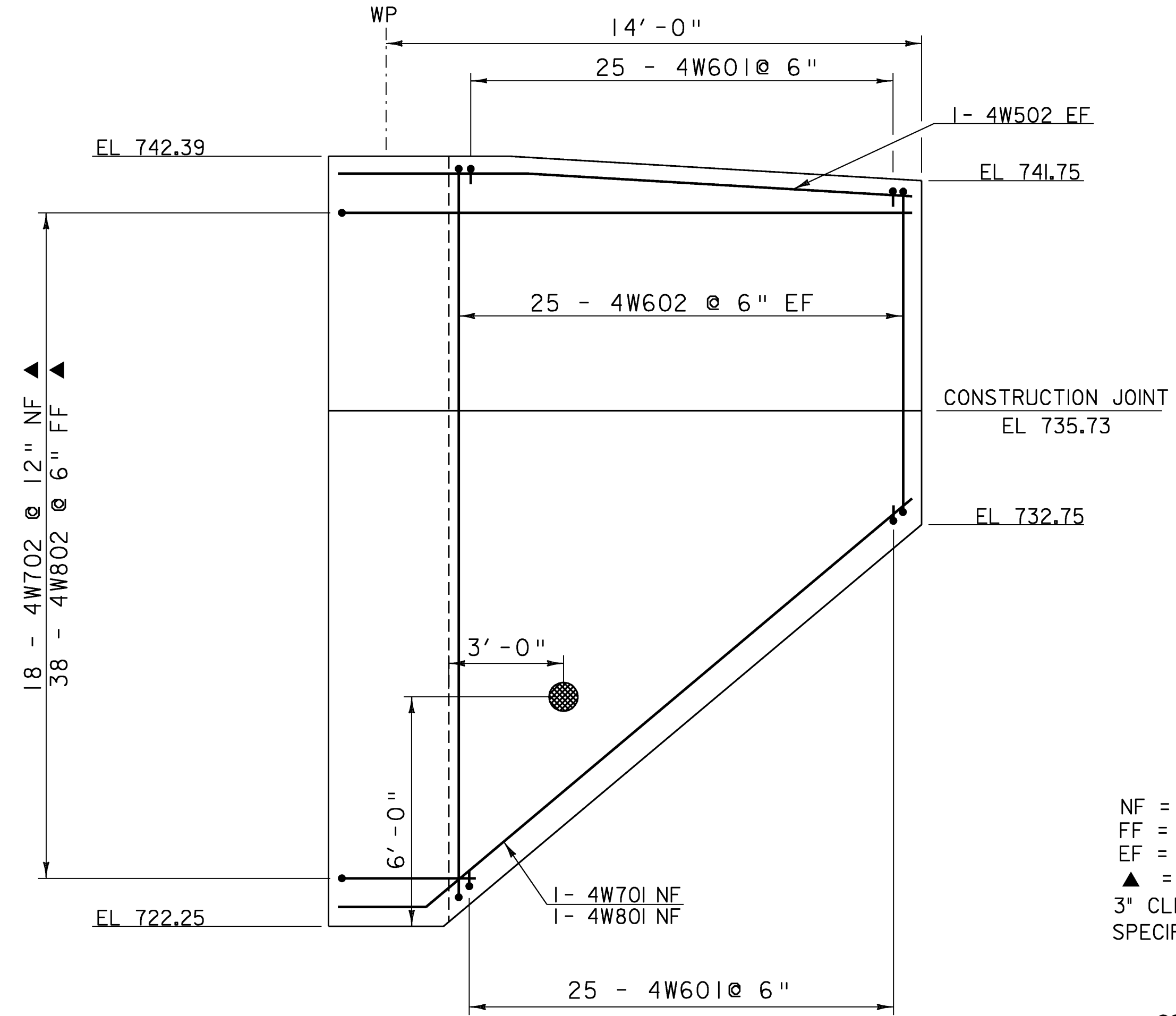
WW #2 ELEVATION



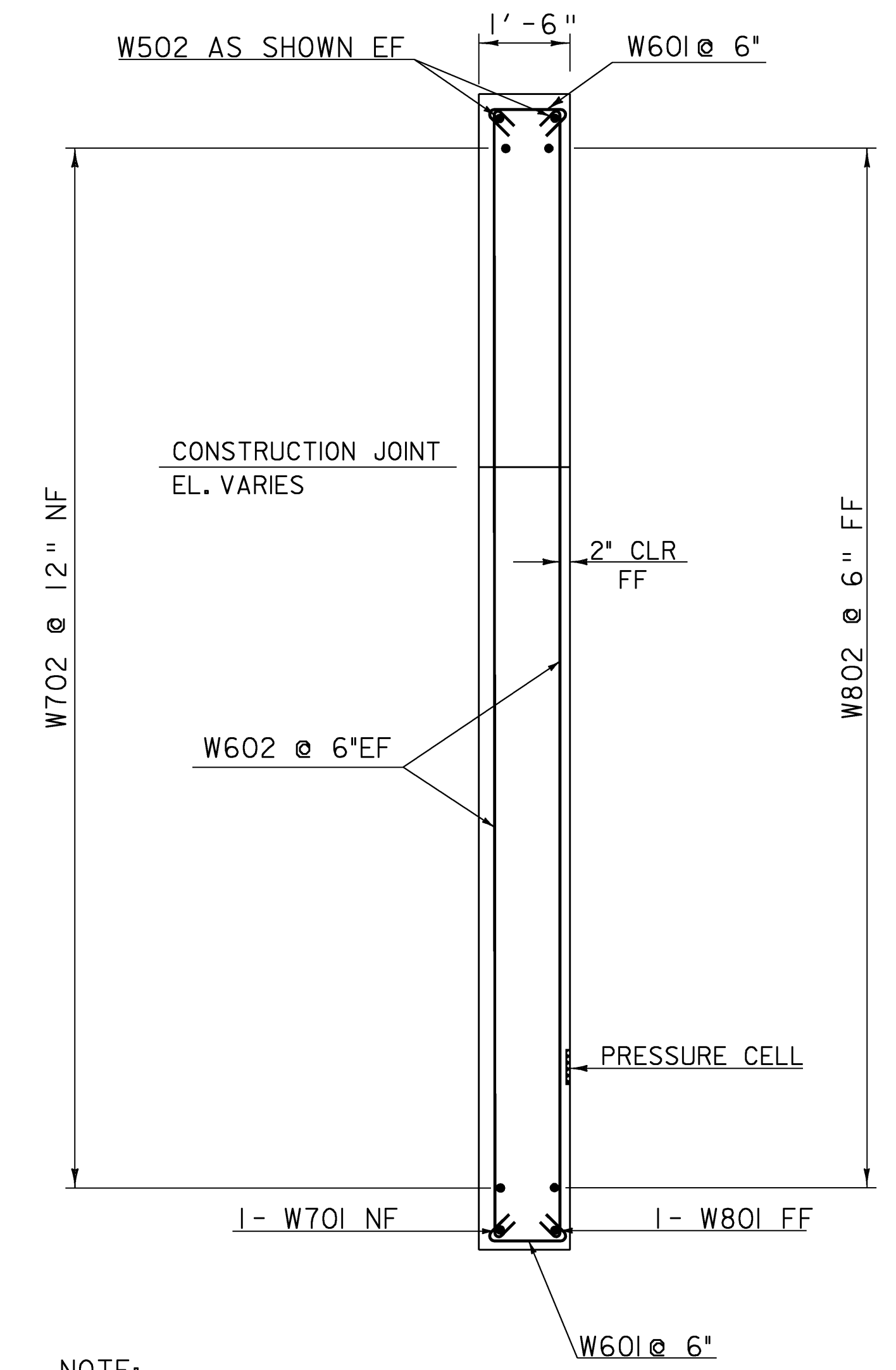
WW #1 ELEVATION



WW #3 ELEVATION

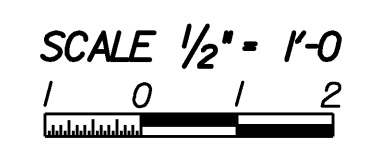


WW #4 ELEVATION



NOTE:  
 ALL VERTICAL BARS MUST HOOK TO A HORIZONTAL BAR

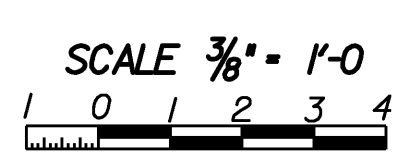
WINGWALL TYPICAL SECTION



GEOKON 4815 EARTH PRESSURE CELL - PROVIDED BY UMASS  
 ATTACH PRESSURE CELL TO FORMWORK ON BACKFILLED FACE  
 OF WALL. CABLING SHALL EITHER BE ROUTED OUTSIDE OF  
 FORMWORK OR PLACED IN A BOX OUT PRIOR TO CONCRETE  
 PLACEMENT.

HIGH PERFORMANCE  
 CONCRETE CLASS A

NOTE:  
 NF = NEAR FACE  
 FF = FAR FACE  
 EF = EACH FACE  
 ▲ = CUT TO FIT IN FIELD  
 3" CLR. UNLESS OTHERWISE  
 SPECIFIED ON THE PLANS.



WINGWALL DETAILS

PROJECT NAME:	STOCKBRIDGE	PLOT DATE:	06-FEB-2008
PROJECT NUMBER:	BRF 013-4(21)	DRAWN BY:	R. PELLETT
FILE NAME:	/78f238/str5/sf238sub.dgn	DESIGNED BY:	T. FILLBACH
		CHECKED BY:	T. SUMNER
			SHEET 90 OF 144