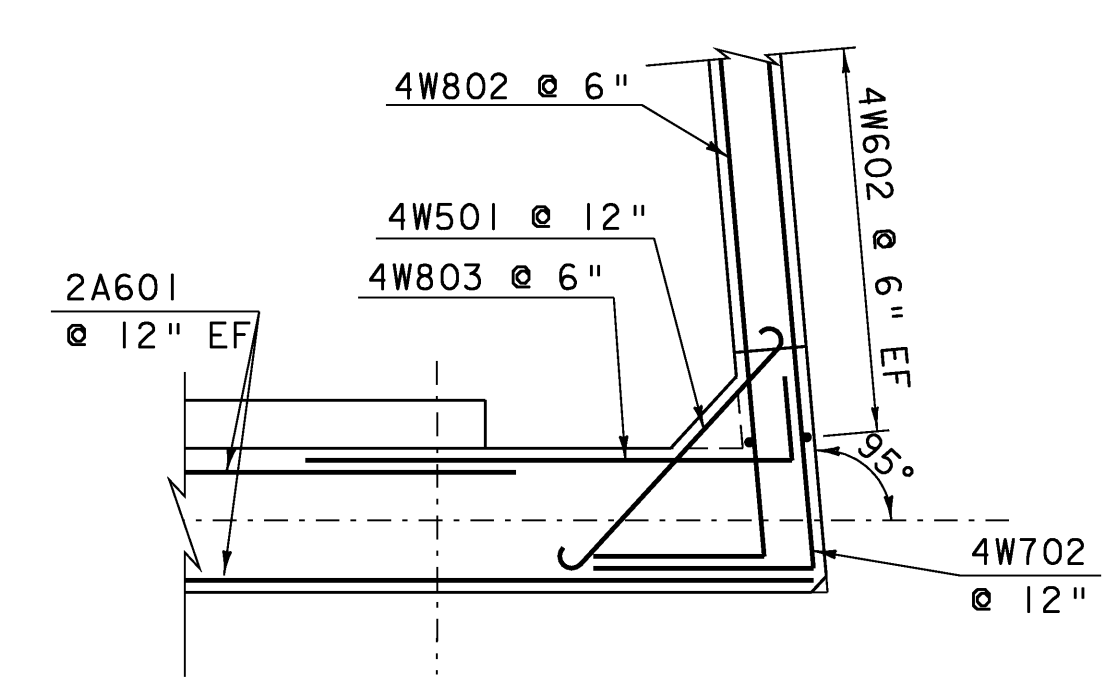
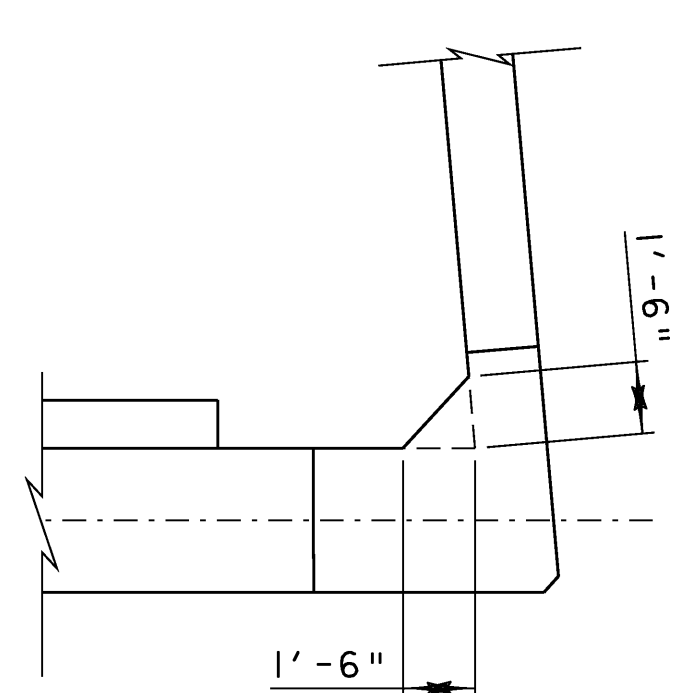


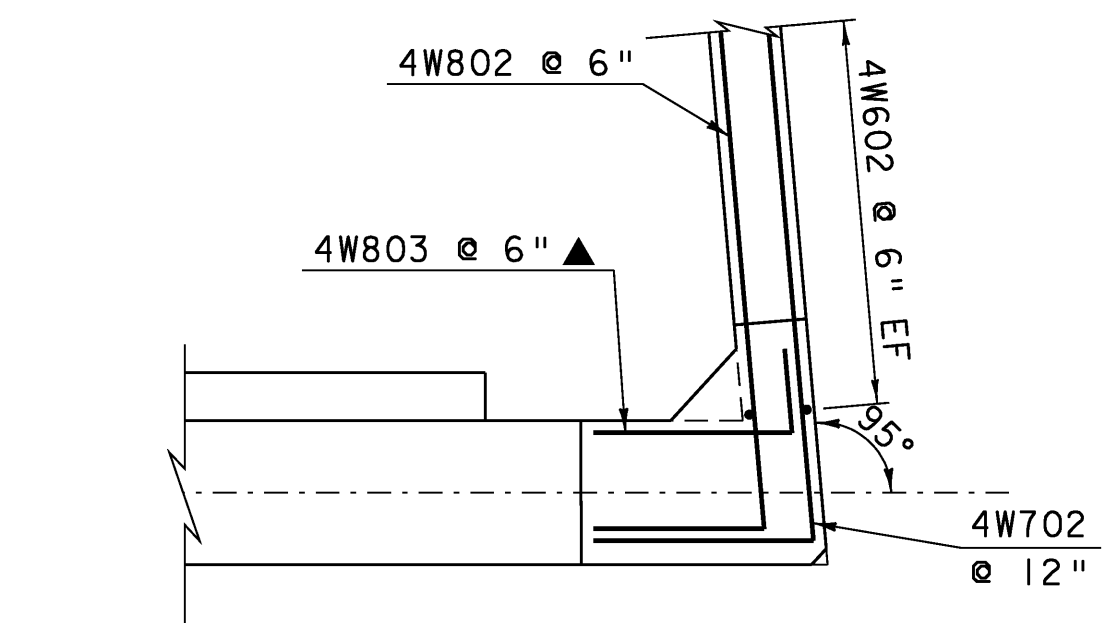
ABUTMENT #2 PLAN



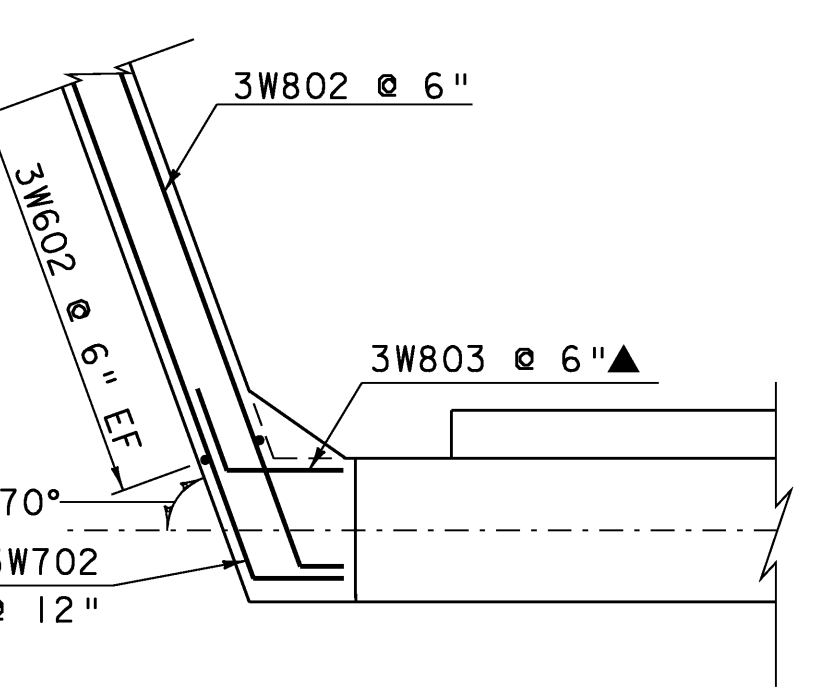
**WINGWALL #4 CORNER DETAILS
BELOW BRIDGE DECK**



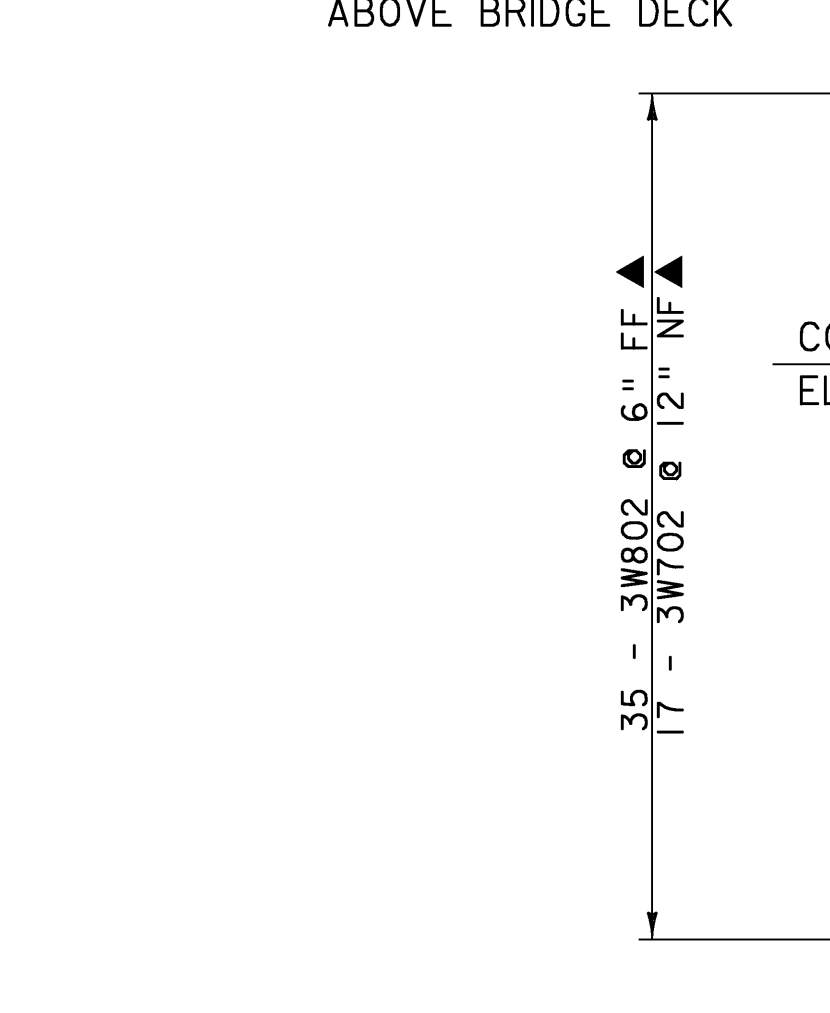
TYPICAL FILLET DETAIL



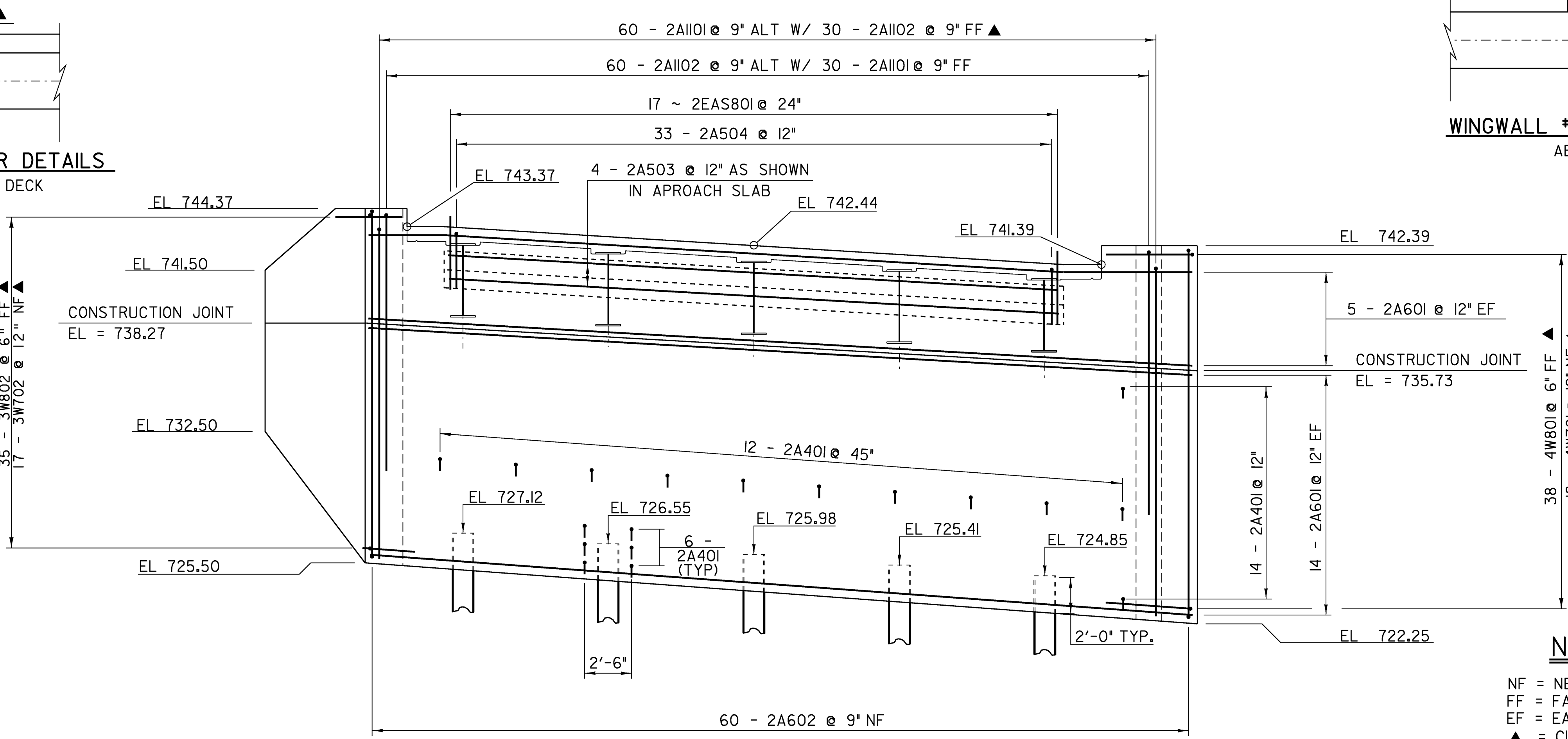
**WINGWALL #4 CORNER DETAILS
ABOVE BRIDGE DECK**



**WINGWALL #3 CORNER DETAILS
ABOVE BRIDGE DECK**



**WINGWALL #3 CORNER DETAILS
BELOW BRIDGE DECK**



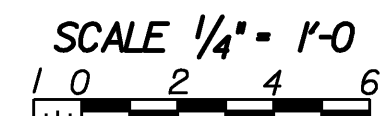
ABUTMENT #2 ELEVATION

SEE SHEET 88 FOR
ABUTMENT TYPICAL

HIGH PERFORMANCE
CONCRETE CLASS A

NOTE:

NF = NEAR FACE
FF = FAR FACE
EF = EACH FACE
▲ = CUT TO FIT IN FIELD
3" CLR. UNLESS OTHERWISE
SPECIFIED ON THE PLANS.



ABUTMENT #2 DETAILS

PROJECT NAME: STOCKBRIDGE	PLOT DATE: 06-FEB-2008
PROJECT NUMBER: BRF 013-4(21)	DRAWN BY: R. PELLETT
FILE NAME: /78f238/str5/sf238sub.dgn	CHECKED BY: T. SUMNER
PROJECT LEADER: K. HIGGINS	SHEET 89 OF 144
DESIGNED BY: T. FILLBACH	
sf238ab2.1	