

INTEGRAL ABUTMENT ELEVATION

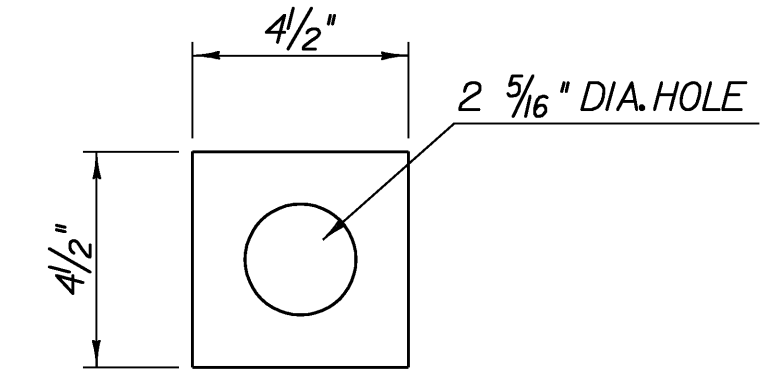
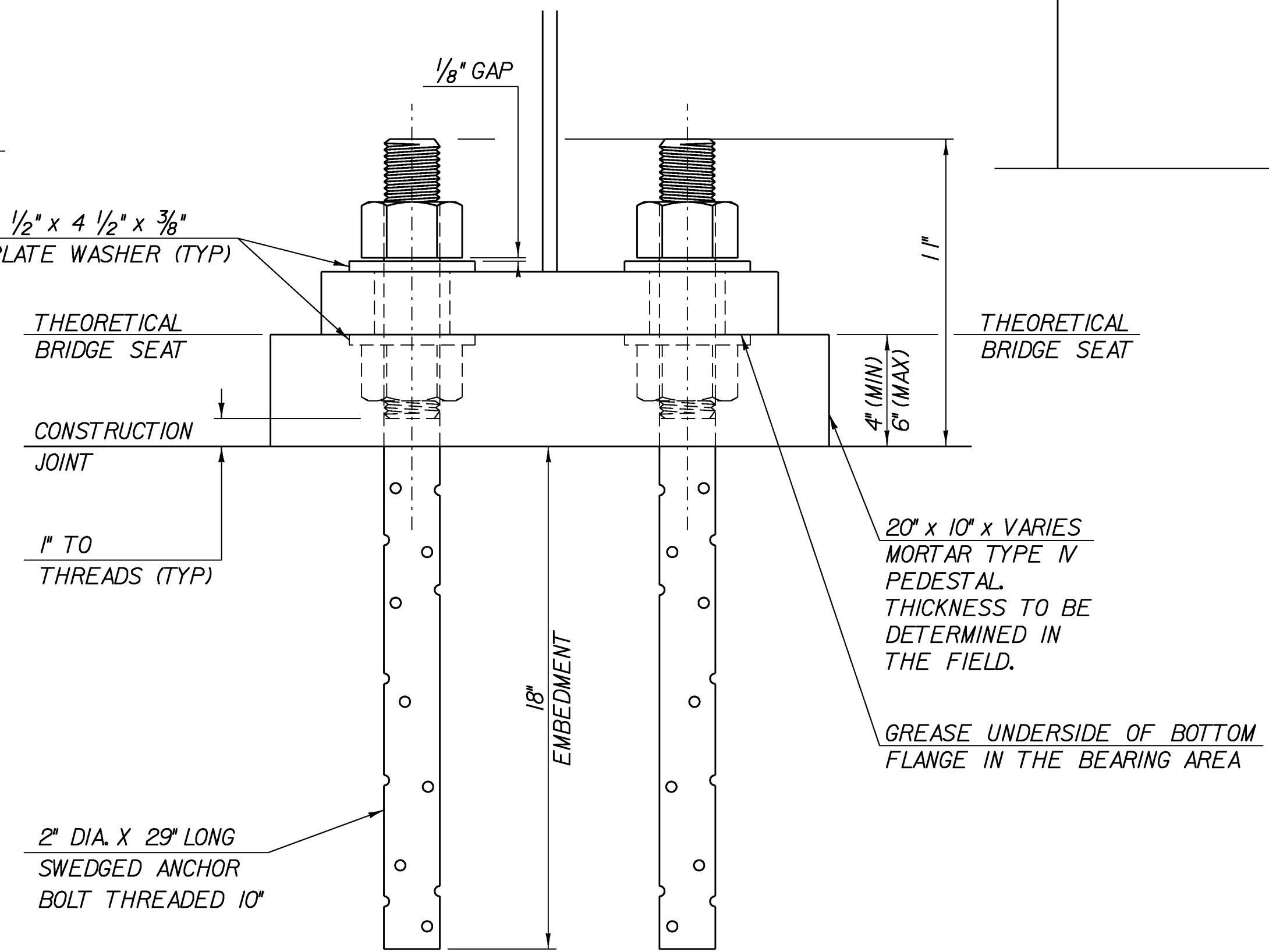
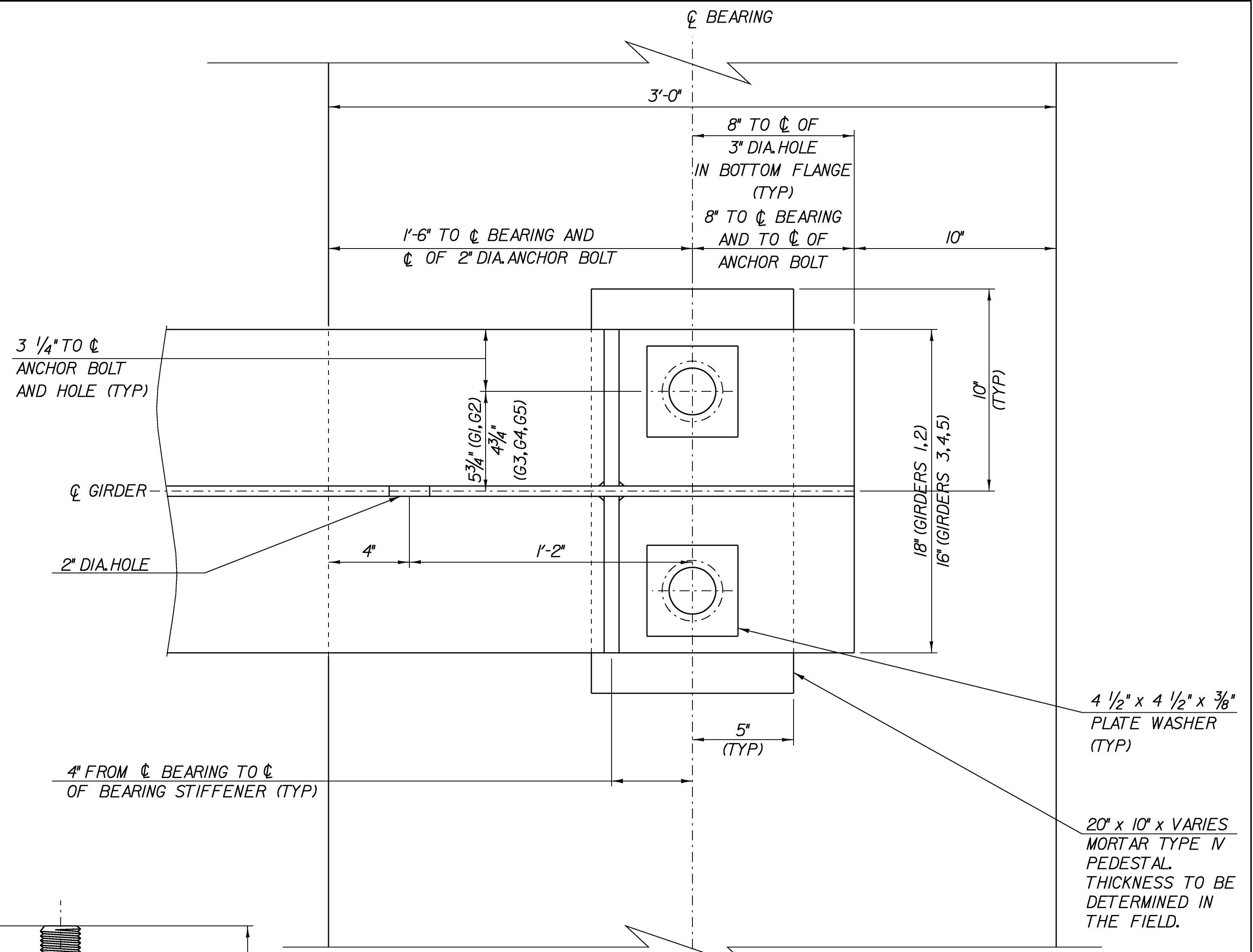


PLATE WASHER DETAIL

- NOTES:**
- 1) THE ANCHOR BOLTS, WASHERS, NUTS AND MORTAR PEDESTAL SHALL BE PAID FOR UNDER ITEM 531.14 "BEARING DEVICE ASSEMBLY, INTEGRAL ABUTMENT" AND SHALL CONFORM TO SECTIONS 531 AND 731 OF VAOT STANDARD SPECIFICATIONS.
 - 2) THE ANCHOR BOLTS, WASHERS AND NUTS SHALL BE GALVANIZED OR METALIZED PER VAOT STANDARD SPECIFICATIONS 531.04 AND 506J5 (a) AND (b).
 - 3) ALL STEEL IN BEARING DEVICE ASSEMBLY SHALL BE AASHTO M 270M/M 270, EXCEPT ANCHOR BOLTS, WHICH SHALL BE ASTM A449, TYPE 1 (Fy=58 ksi)



INTEGRAL ABUTMENT BEARING SECTION



INTEGRAL ABUTMENT BEARING PLAN

	ABUT #1	ABUT #2
GIRDER 1	EL 742.41	EL 738.31
GIRDER 2	EL 741.94	EL 737.84
GIRDER 3	EL 741.56	EL 737.46
GIRDER 4	EL 740.10	EL 737.00
GIRDER 5	EL 740.63	EL 736.53

THEORETICAL BRIDGE SEAT ELEVATIONS

INTEGRAL ABUTMENT BEARING DETAILS

PROJECT NAME: STOCKBRIDGE	PLOT DATE: 06-FEB-2008
PROJECT NUMBER: BRF 013-4(21)	DRAWN BY: R. PELLETT
FILE NAME: /78f238/str5/sf238sup.dgn	CHECKED BY: T. FILLBACH
DESIGNED BY: T. SUMNER	SHEET 86 OF 144

