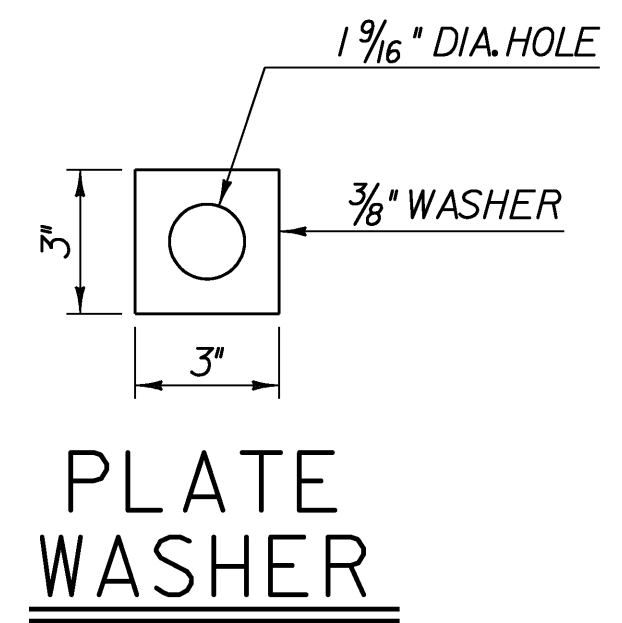
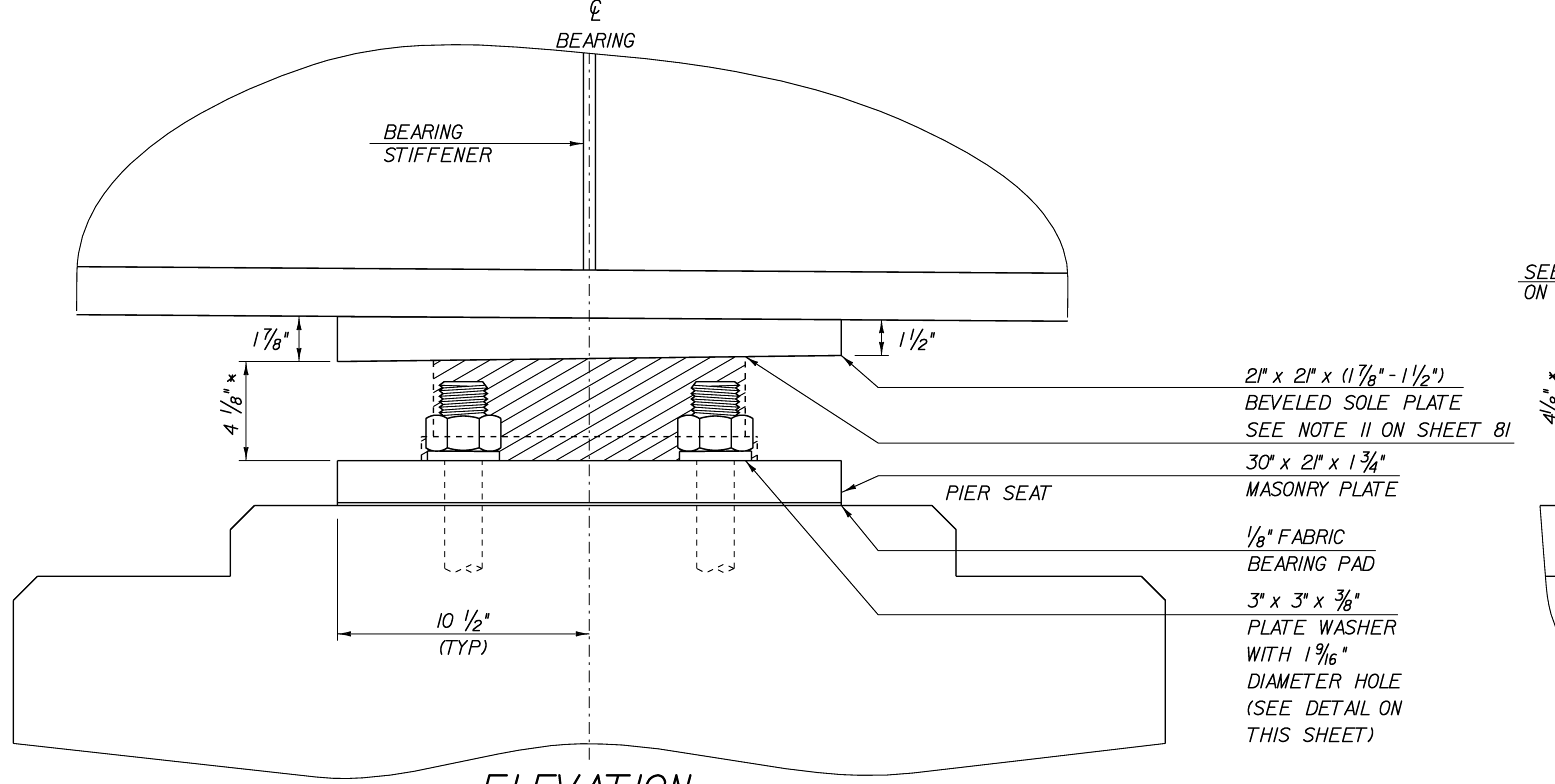
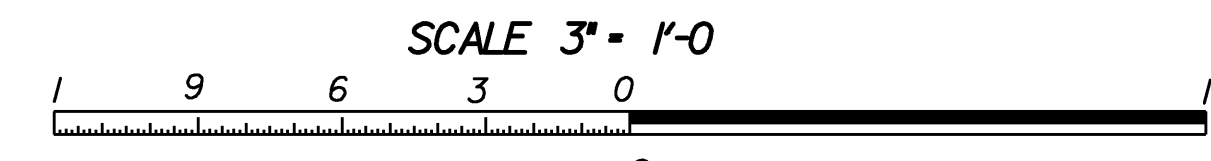


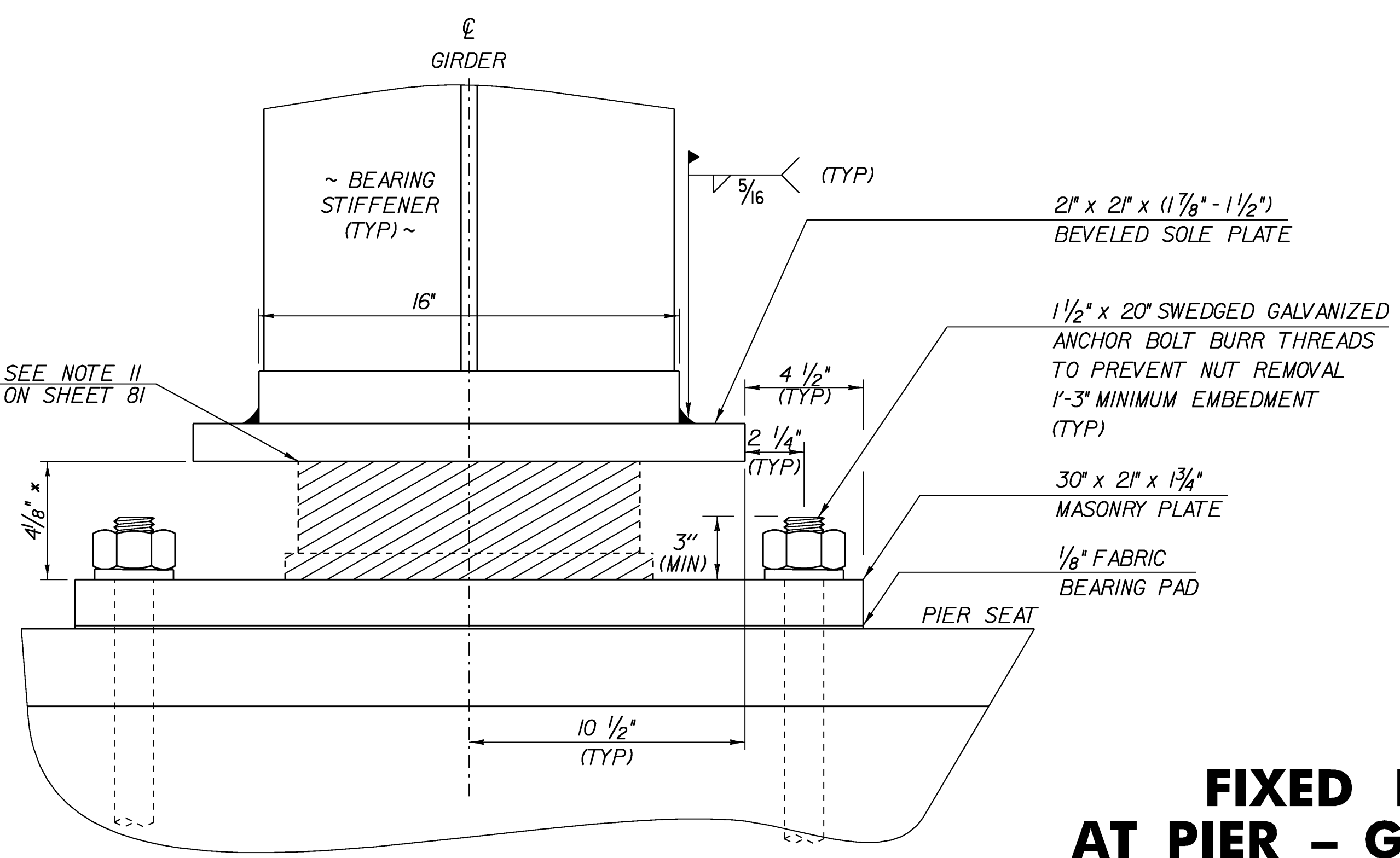
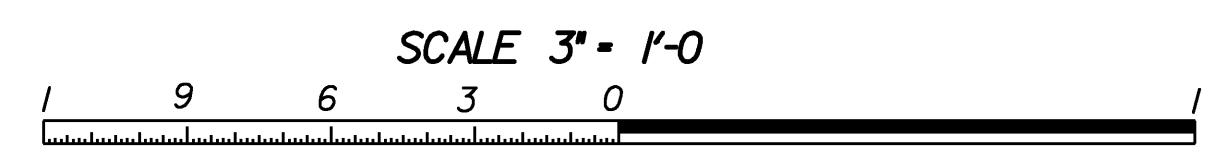
\* SEE FINAL SHOP DRAWINGS FOR EXACT DIMENSIONS.  
 BRIDGE SEATS MAY NEED ADJUSTMENT.  
 THE CROSS HATCHED COMPONENTS OF THE BEARING  
 ARE SHOWN FOR REPRESENTATIVE PURPOSES ONLY.  
 THE ACTUAL CONFIGURATION OF THE COMPONENTS  
 WILL BE DEPENDENT UPON THE BEARING FABRICATOR.



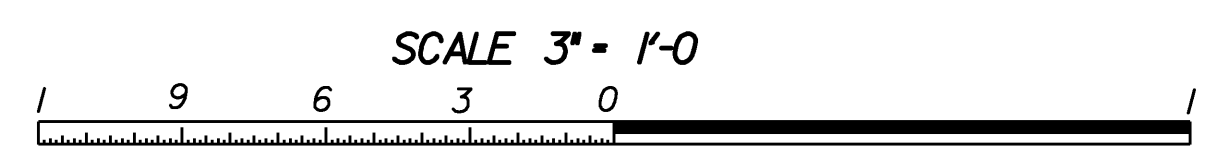
**PLAN**



**ELEVATION**



**SECTION**



**FIXED POT BEARINGS  
 AT PIER - GIRDERS 4 & 5**

PROJECT NAME: STOCKBRIDGE	PLOT DATE: 06-FEB-2008
PROJECT NUMBER: BRF 013-4(21)	DRAWN BY: R. PELLETT
FILE NAME: /78f238/str5/sf238sup.dgn	DESIGNED BY: T. SUMNER
PROJECT LEADER: K. HIGGINS	CHECKED BY: T. FILLBACH
DESIGNED BY: T. SUMNER	SHEET 82 OF 144