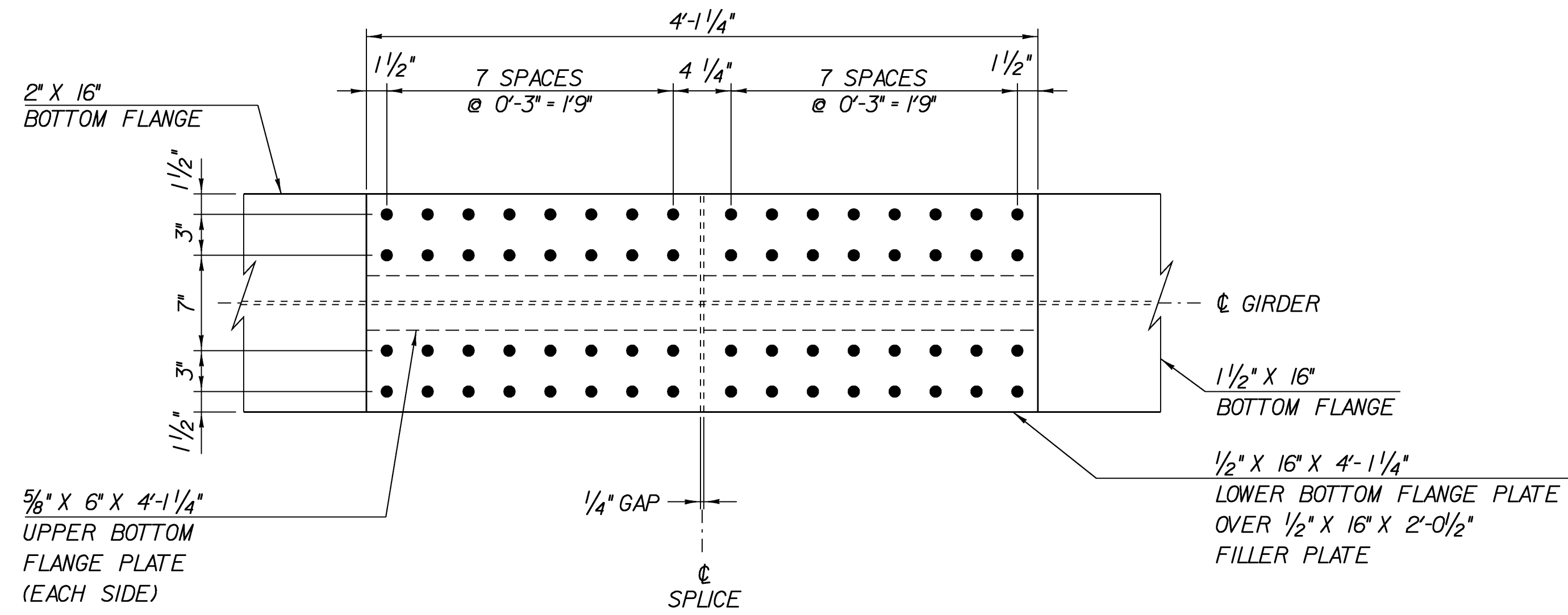


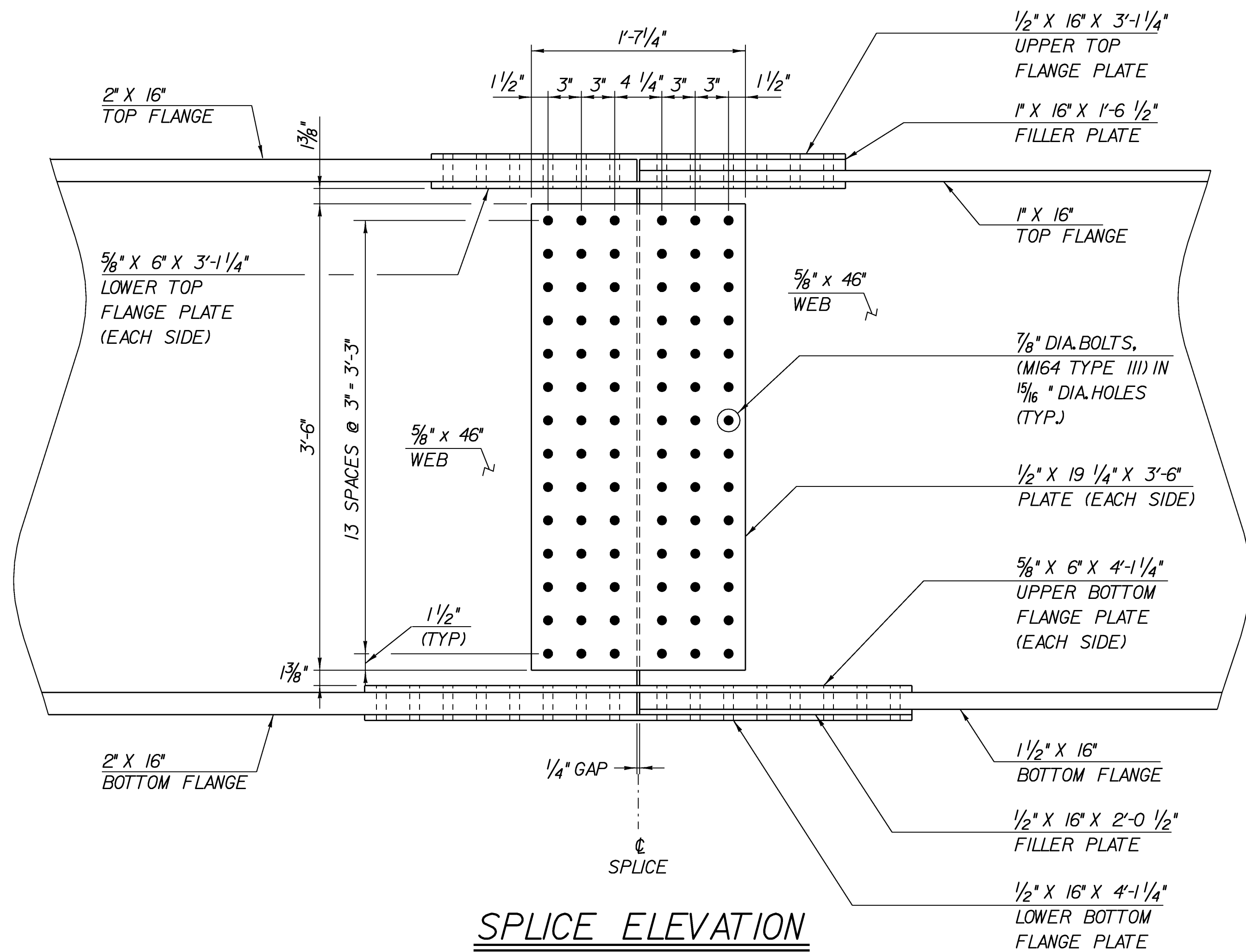
TOP FLANGE PLAN

SCALE 1 1/2" = 1'-0"
 1 9 6 3 0 1



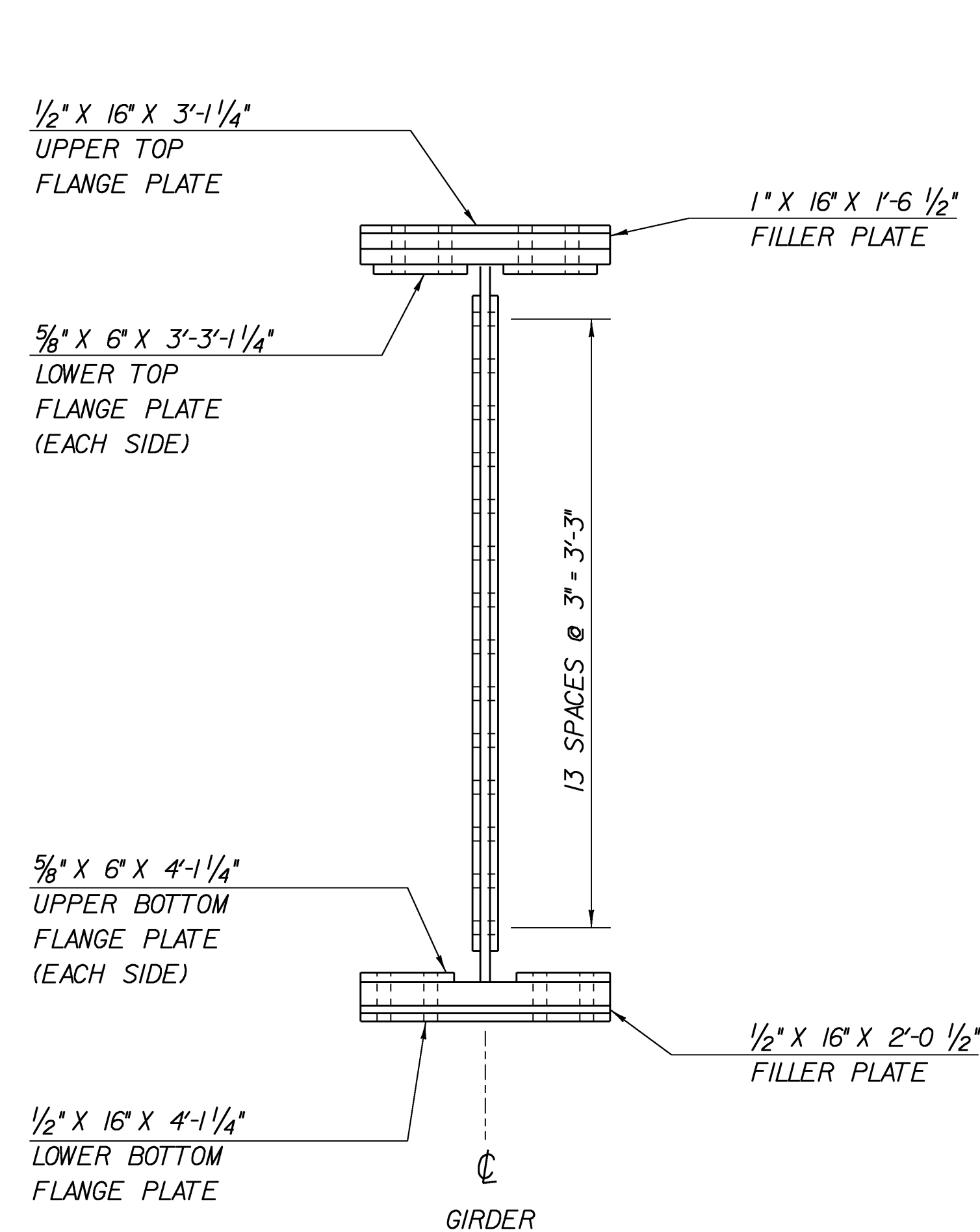
BOTTOM FLANGE PLAN

SCALE 1 1/2" = 1'-0"
 1 9 6 3 0 1



SPlice Elevation

SCALE 1 1/2" = 1'-0"
 1 9 6 3 0 1



SPlice Section

SCALE 1 1/2" = 1'-0"
 1 9 6 3 0 1

ALL SECTIONS OF THE SPlice SHALL BE CVN (CHARPY V-NOTCH) TESTED, INCLUDING THE FILLER PLATES

**SPlice DETAIL SHEET
 GIRDERS #3, #4 & #5**

PROJECT NAME: STOCKBRIDGE	PLOT DATE: 06-FEB-2008
PROJECT NUMBER: BRf 013-4(21)	DRAWN BY: R. PELLETT
FILE NAME: /78f238/str5/sf238sup.dgn	DESIGNED BY: T. SUMNER
DESIGNED BY: T. SUMNER	CHECKED BY: T. FILLBACH
sf238sd2.1	SHEET 80 OF 144