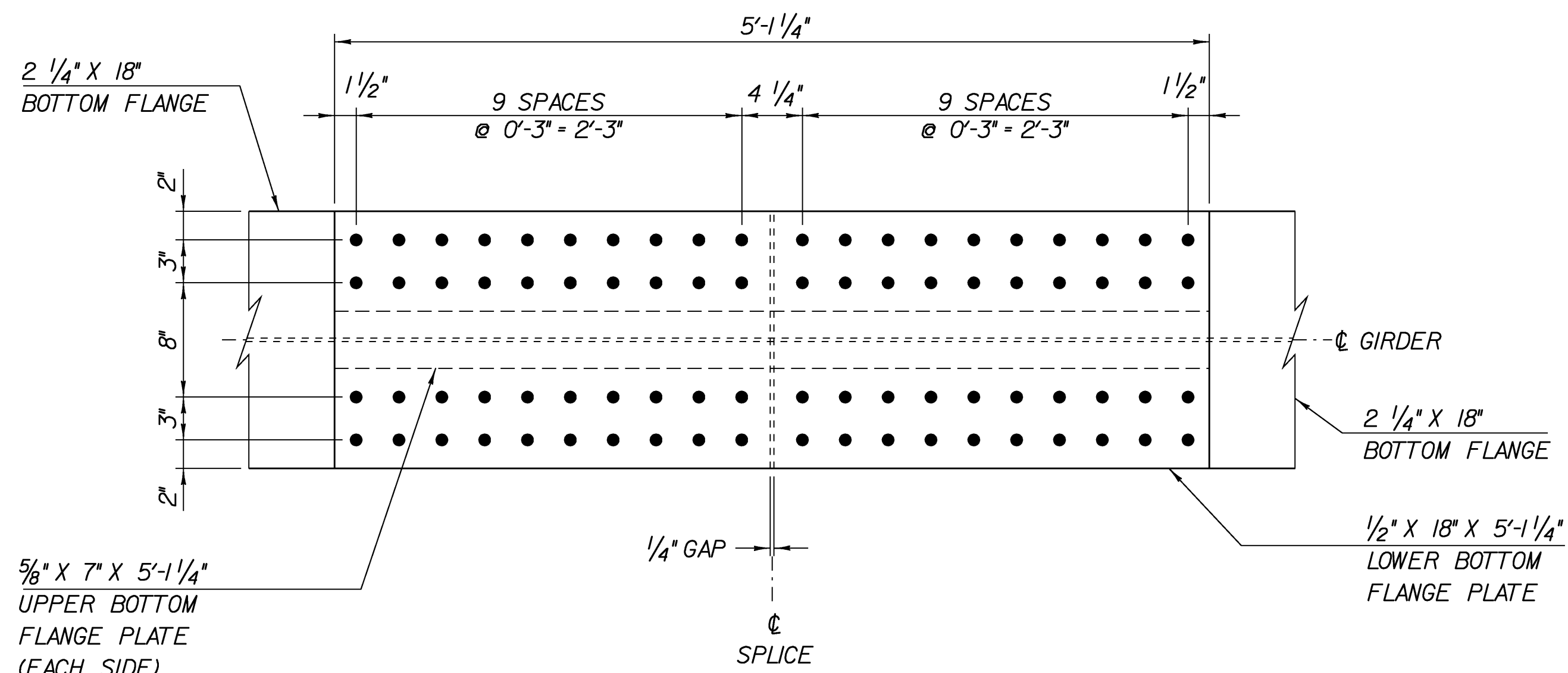


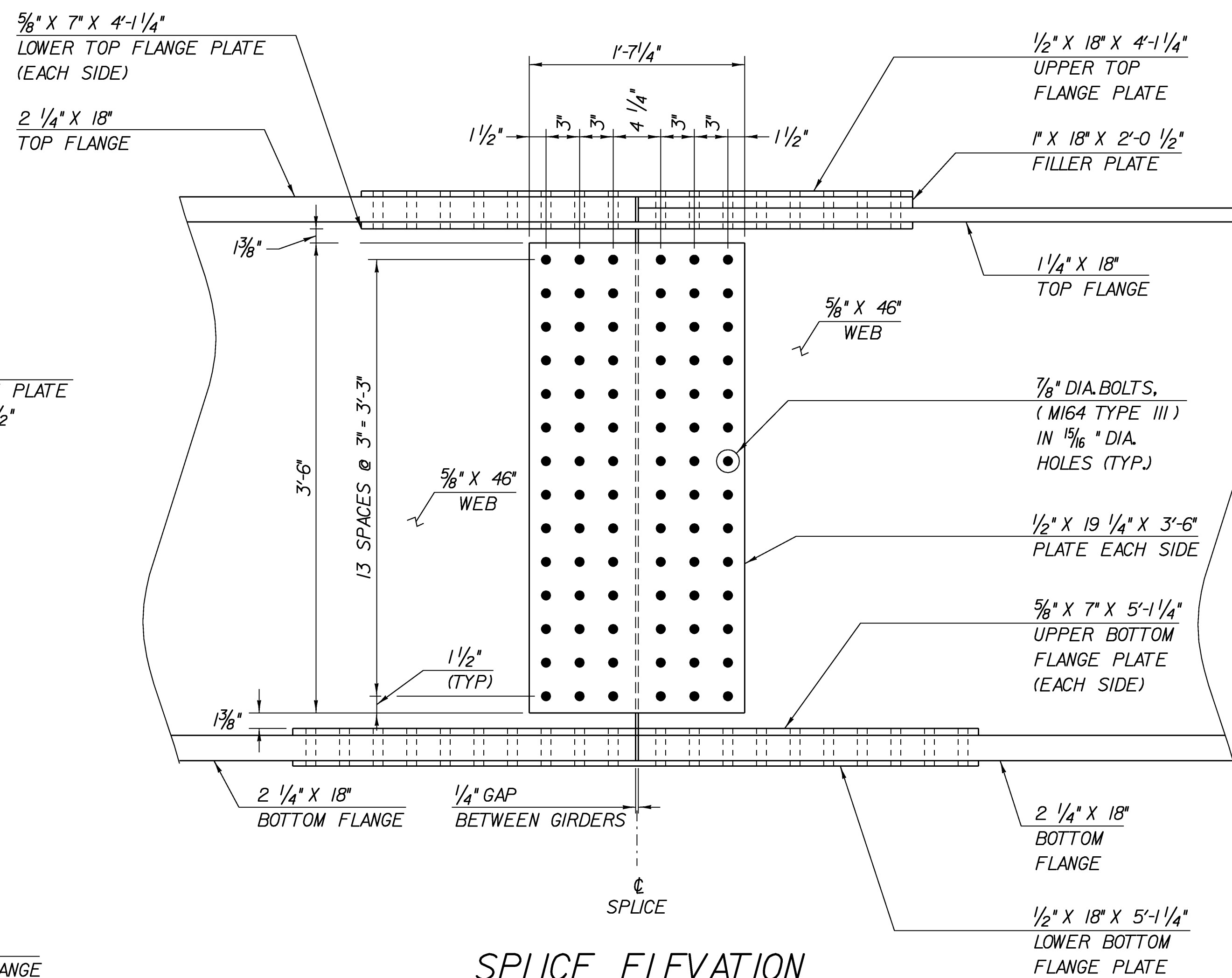
TOP FLANGE PLAN

SCALE 1 1/2" = 1'-0"
 1 9 6 3 0 1



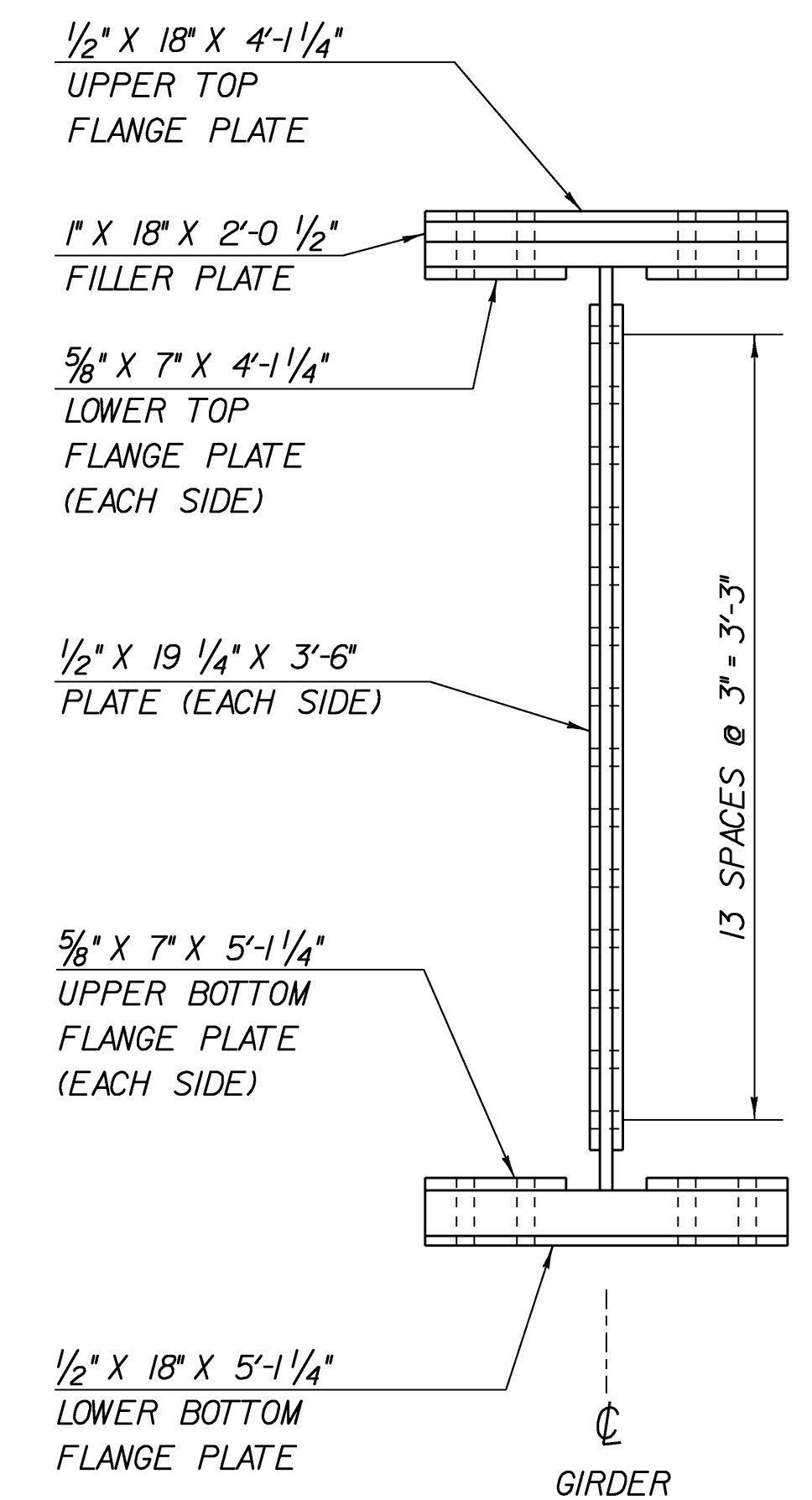
BOTTOM FLANGE PLAN

SCALE 1 1/2" = 1'-0"
 1 9 6 3 0 1



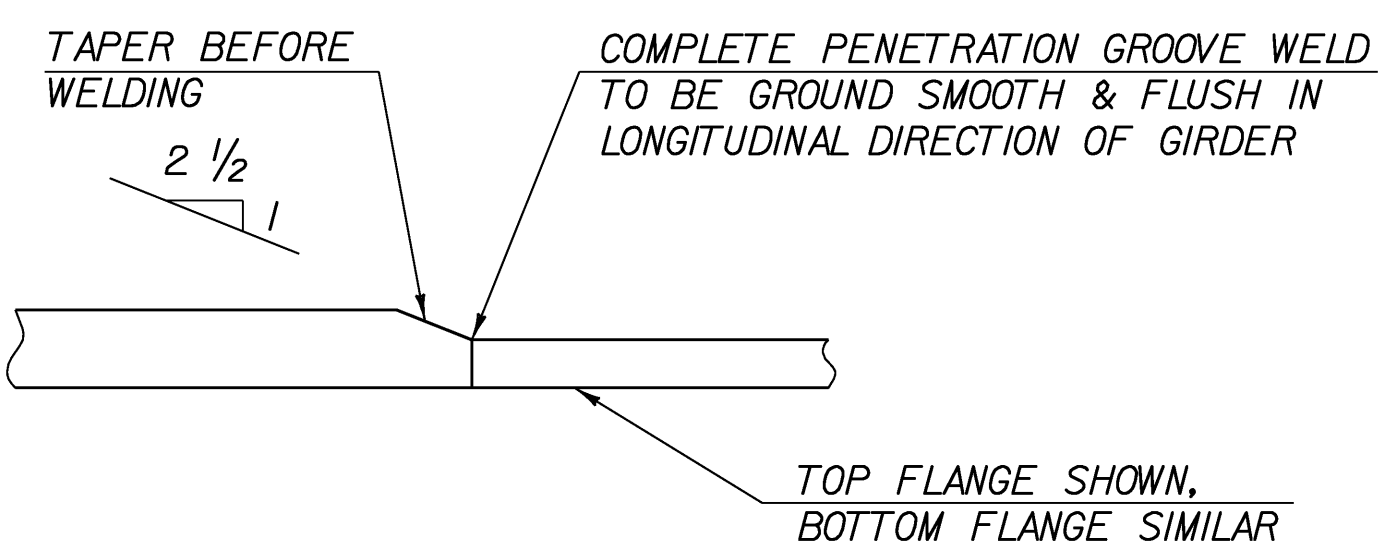
SPlice ELEVATION

SCALE 1 1/2" = 1'-0"
 1 9 6 3 0 1



SPlice SECTION

SCALE 1 1/2" = 1'-0"
 1 9 6 3 0 1



FLANGE THICKNESS TRANSITION DETAIL

SCALE: 3" = 1'-0"

ALL SECTIONS OF THE SPlice SHALL BE CVN (CHARPY V-NOTCH) TESTED, INCLUDING THE FILLER PLATES

**SPlice DETAIL SHEET
 GIRDERS #1 & #2**

PROJECT NAME: STOCKBRIDGE	PLOT DATE: 06-FEB-2008
PROJECT NUMBER: BRF 013-4(2I)	DRAWN BY: R. PELLETT
FILE NAME: /78f238/str5/sf238sup.dgn	CHECKED BY: T. FILLBACH
PROJECT LEADER: K. HIGGINS	SHEET 79 OF 144
DESIGNED BY: T. SUMNER	
sf238sdl	