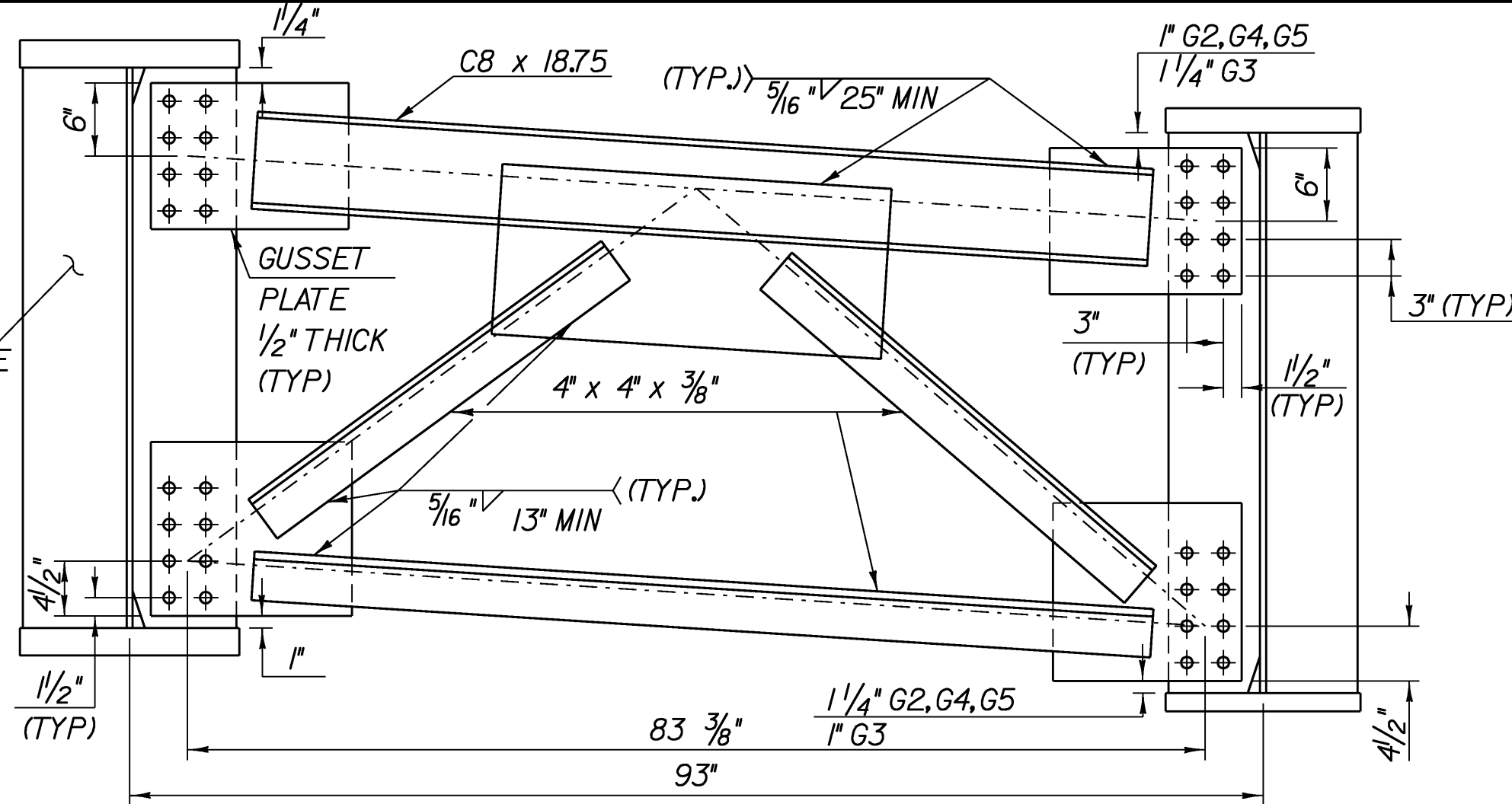


ELEVATION VIEW OF INTERMEDIATE AND ABUTMENT CROSSFRAME

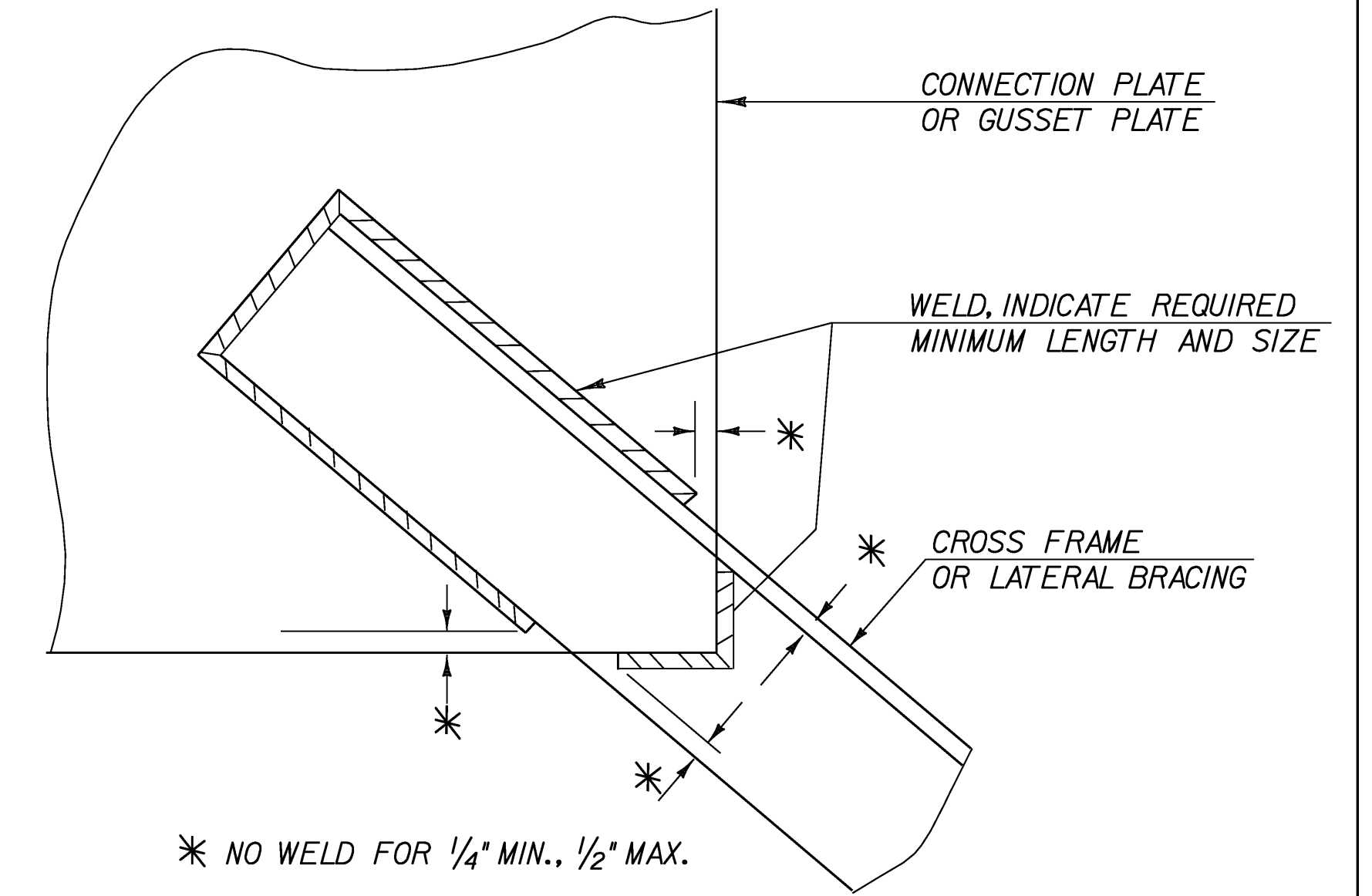
SCALE 1" = 1'-0"
1 9 6 3 0 1 2



ELEVATION VIEW OF PIER CROSSFRAME

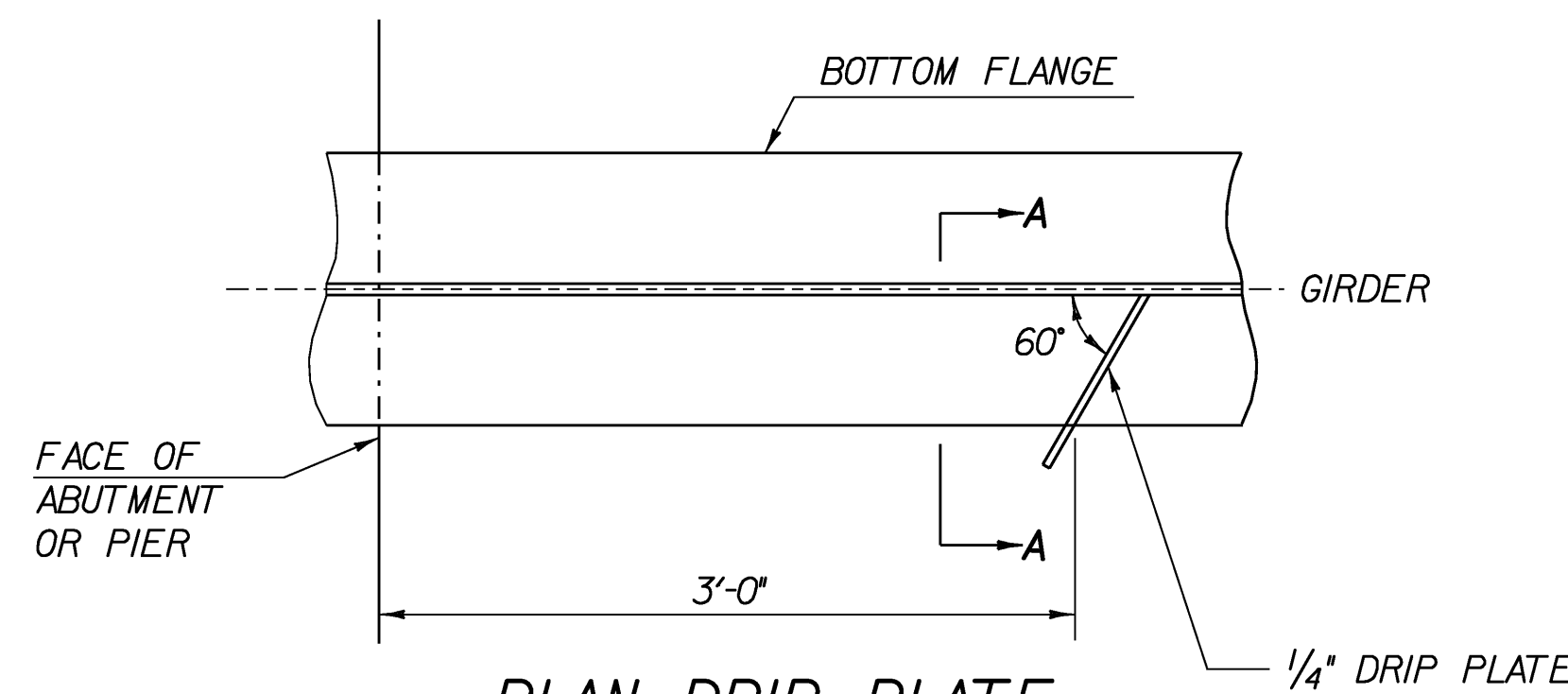
SCALE 1" = 1'-0"
1 9 6 3 0 1 2

NOTE: ALL STRUCTURAL STEEL SHALL BE CHARPY V-NOTCH (CVN) TESTED, INCLUDING GUSSET PLATES, CONNECTION PLATES, BEARINGS STIFFENERS AND ANGLES



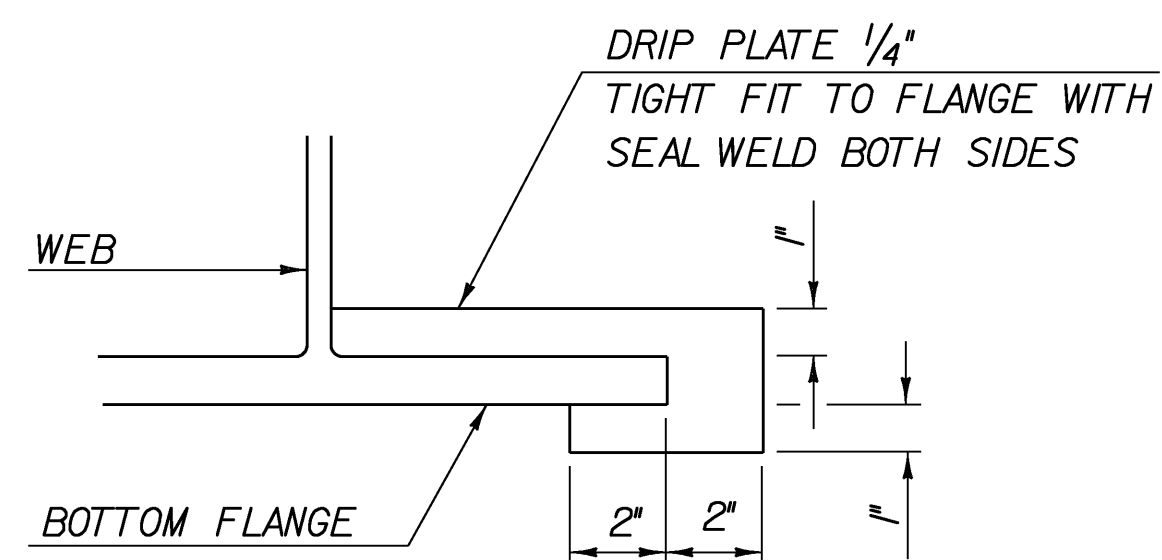
* NO WELD FOR 1/4" MIN., 1/2" MAX.

WELD LOCATION DETAIL AT CROSS FRAMES AND LATERAL BRACING



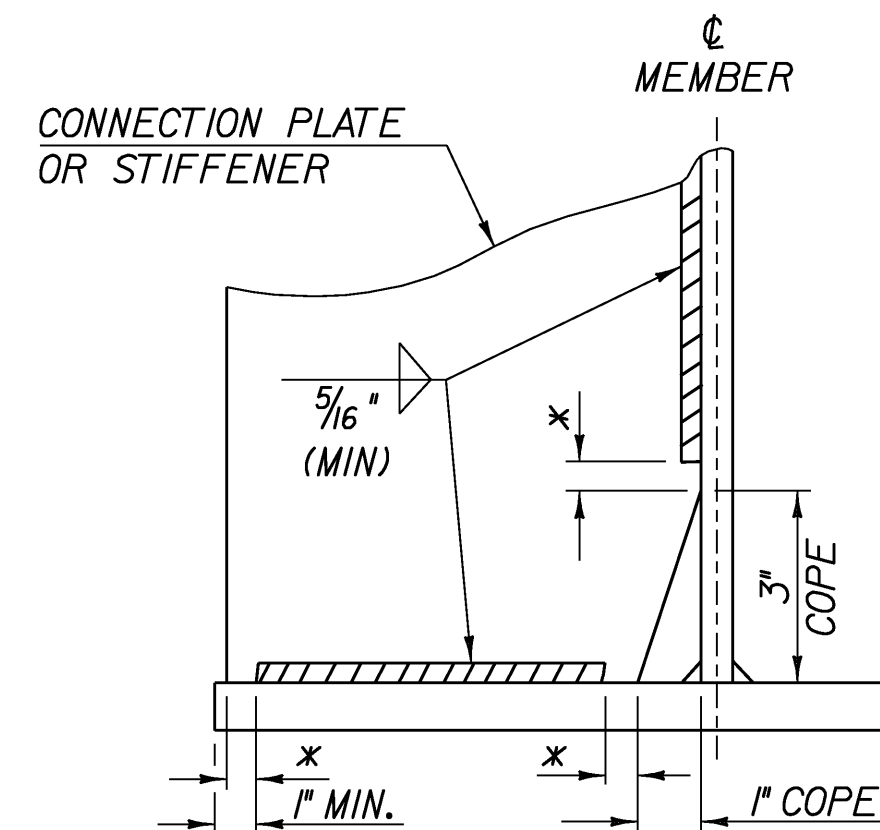
PLAN DRIP PLATE

N.T.S. NOTE: DRIP PLATES SHALL BE PLACED ON OUTSIDE EDGE OF FASCIA GIRDERS AS INDICATED ON THE PROJECT PLANS.



SECTION A - A

N.T.S.



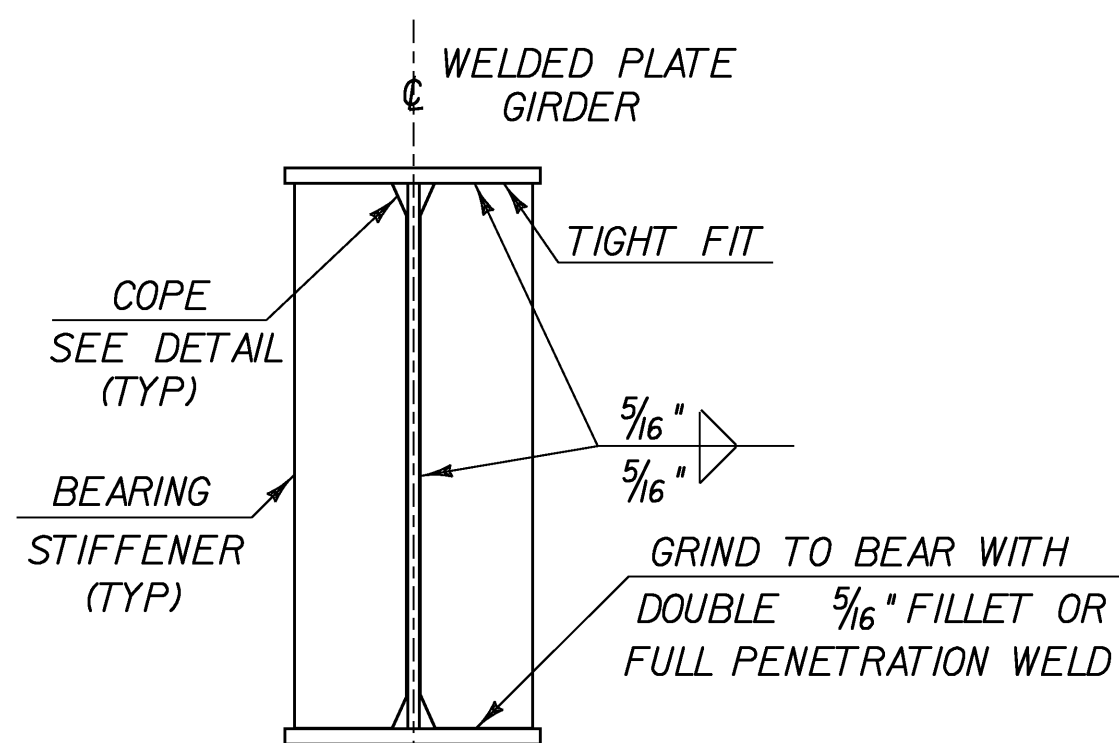
WELD TERMINATION AND COPING DETAILS FOR STEEL MEMBERS

* NO WELD FOR 1/4" MIN., 1/2" MAX. (EXCEPT MUST MAINTAIN 1" MINIMUM FROM EDGE OF FLANGE) N.T.S.

NOTES:

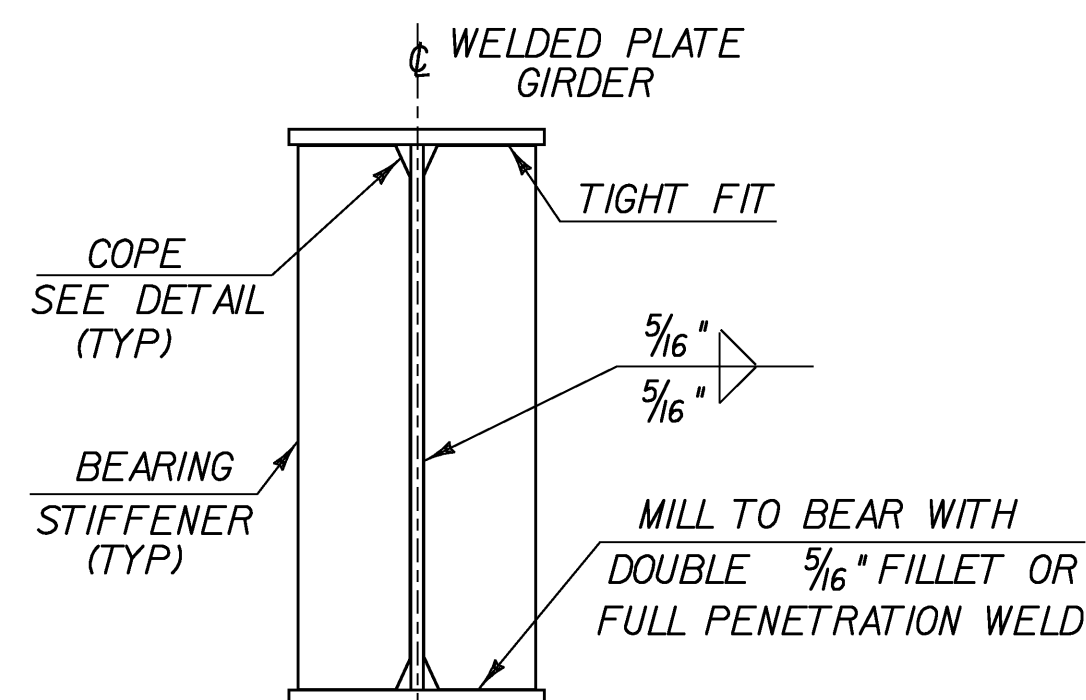
1. MIN. 7" WELD ON OUTSTANDING LEG OF ANGLE (TYP)
2. BEARING STIFFENER AT ABUTMENT AND PIER
8 1/2" x 7/8" @ GIRDER 1,2
7 1/2" x 3/4" @ GIRDER 3,4,5

CONNECTION PLATES (OTHERWISE)
8 1/2" x 1/2" @ GIRDER 1,2
7 1/2" x 1/2" @ GIRDER 3,4,5



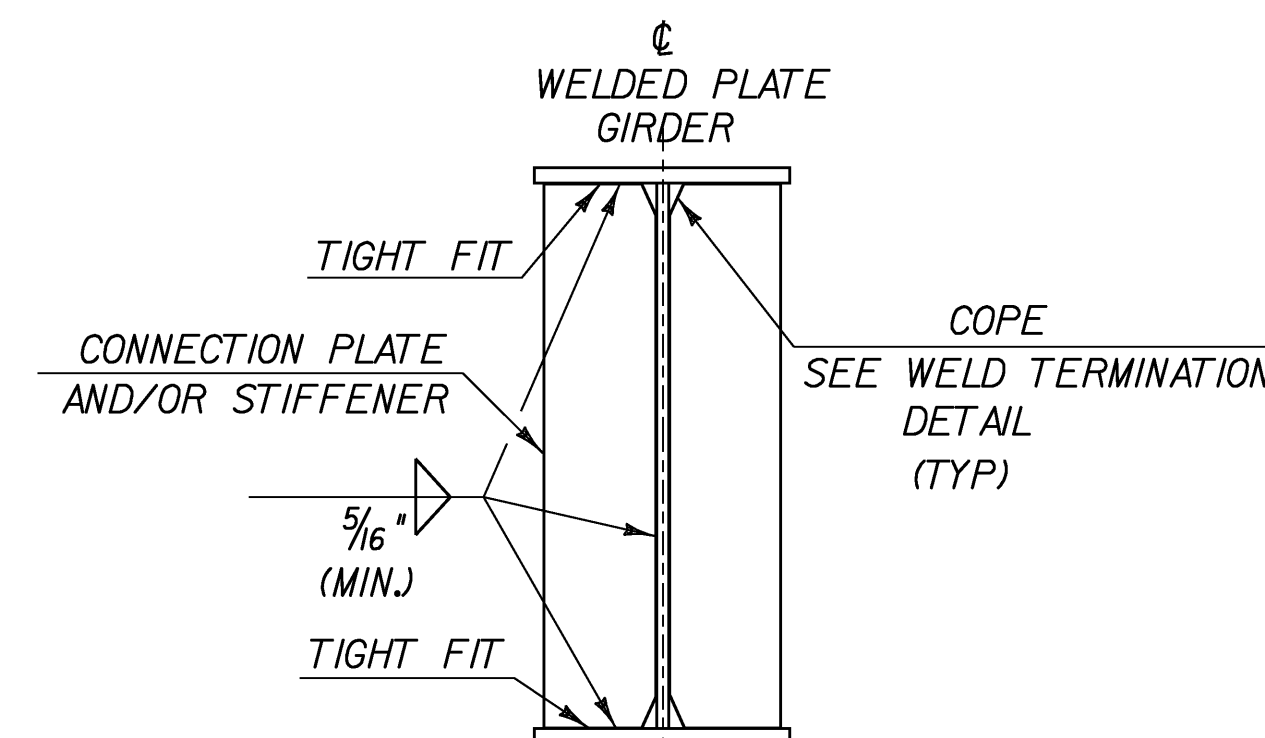
ABUTMENT BEARING STIFFENERS FOR WELDED PLATE GIRDERS

N.T.S.



PIER BEARING STIFFENERS FOR WELDED PLATE GIRDERS

N.T.S.



INTERMEDIATE CONNECTION PLATES AND/OR STIFFENERS FOR WELDED PLATE GIRDERS

N.T.S.

CROSSFRAME & BRACING DETAILS

PROJECT NAME: STOCKBRIDGE
PROJECT NUMBER: BRF 013-4(21)

FILE NAME: /78f238/str5/sf238sup.dgn
PROJECT LEADER: K. HIGGINS
DESIGNED BY: T. SUMNER
sf238xfr.1

PLOT DATE: 06-FEB-2008
DRAWN BY: R. PELLET
CHECKED BY: T. FILLBACH
SHEET 76 OF 144