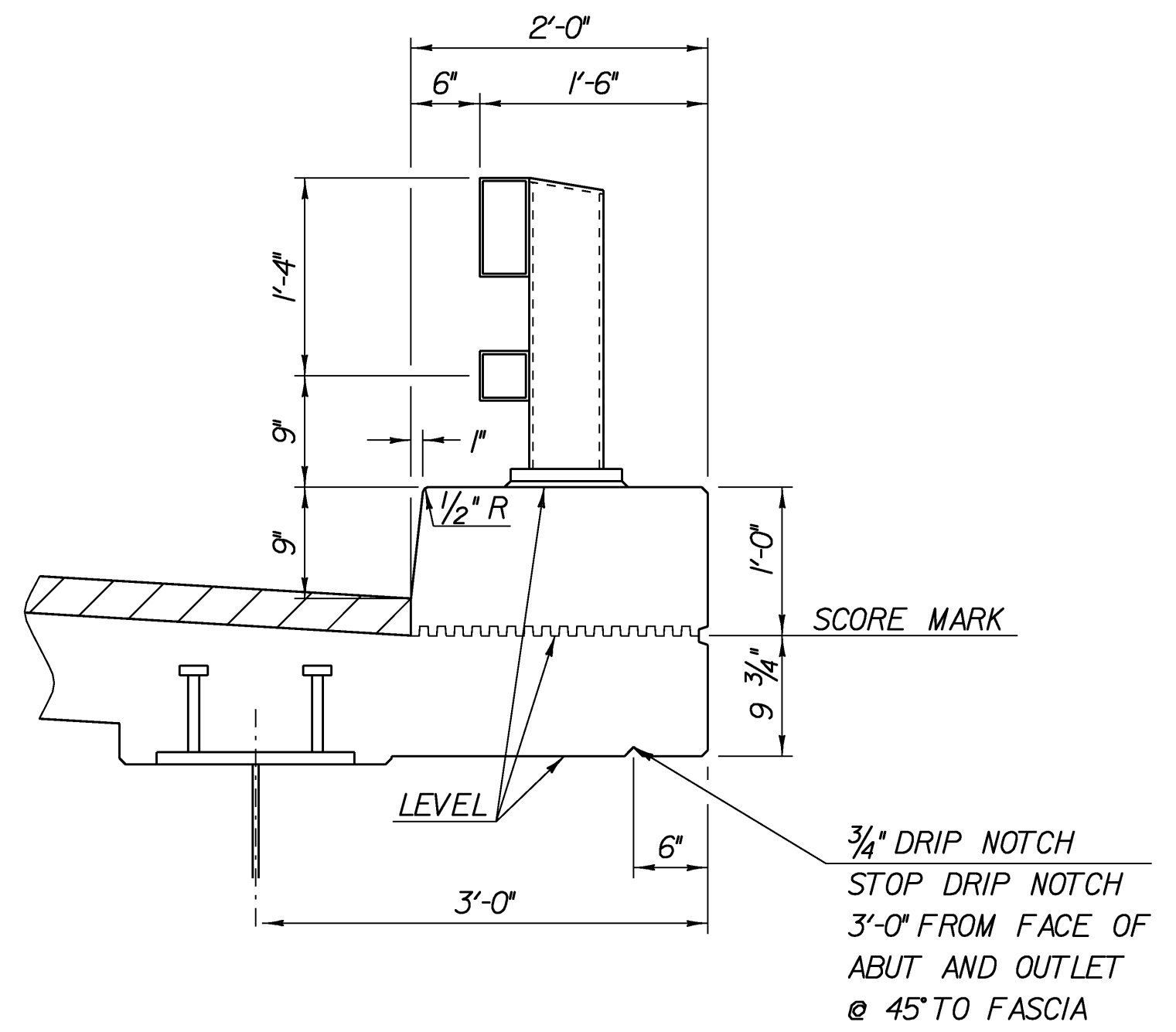


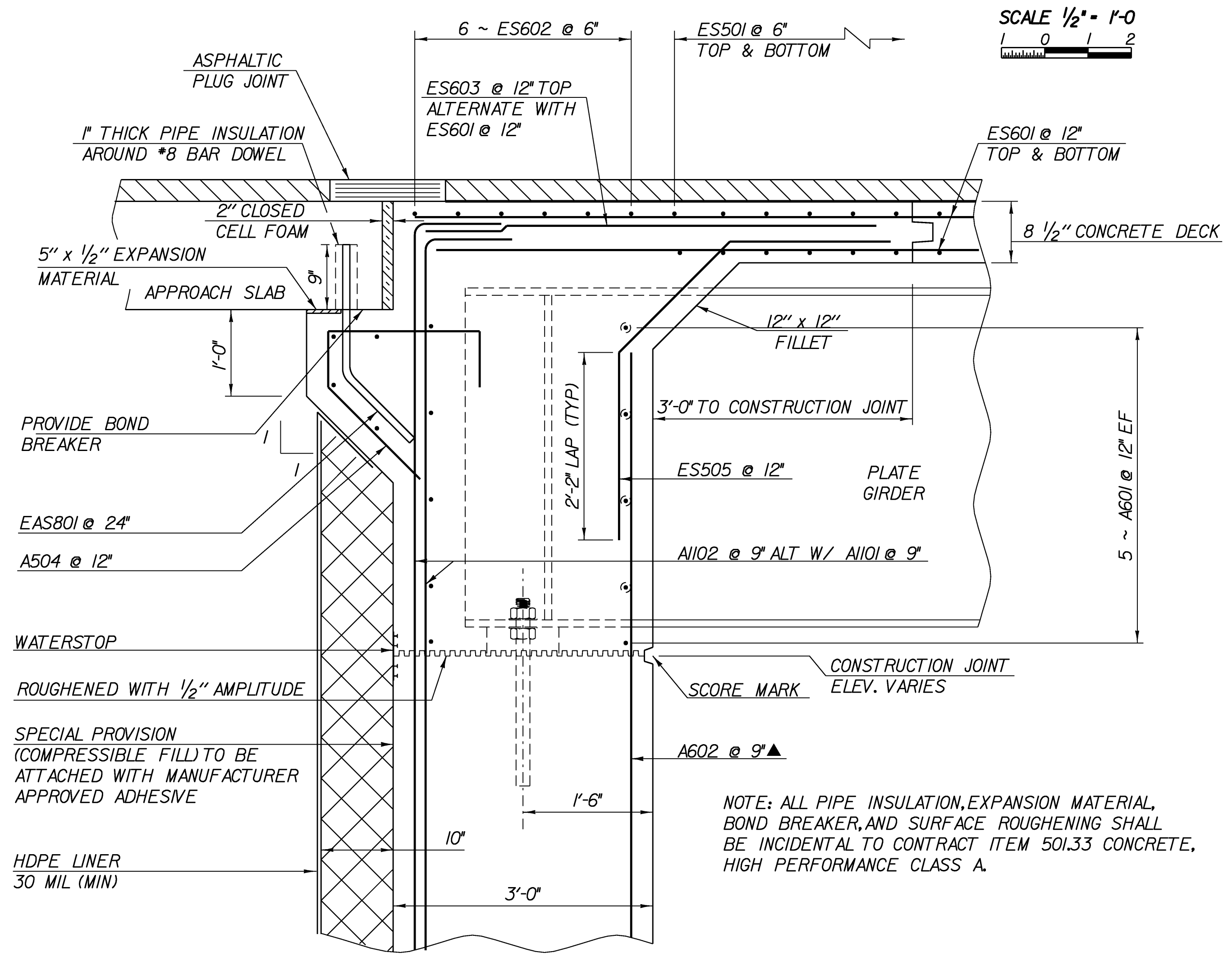
ALL HORIZONTAL DIMENSIONS ARE RADIAL
TYPICAL BRIDGE SECTION

*DECREASE SPACING OF 3 SETS OF ES601 (TOP) TO 6" THROUGH NEGATIVE MOMENT REGION (SEE SHEET 74)



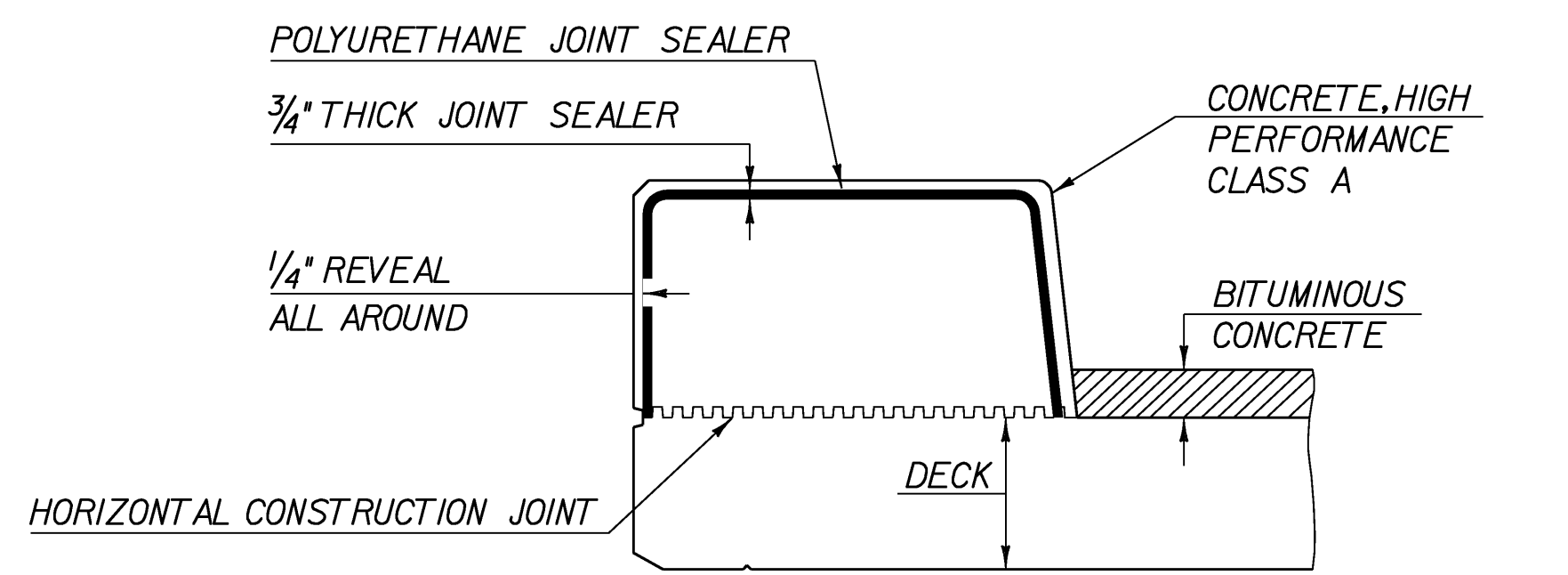
CURB SECTION - RIGHT FASCIA

SCALE 1" = 1'-0"
1 9 6 3 0 2



END OF BRIDGE

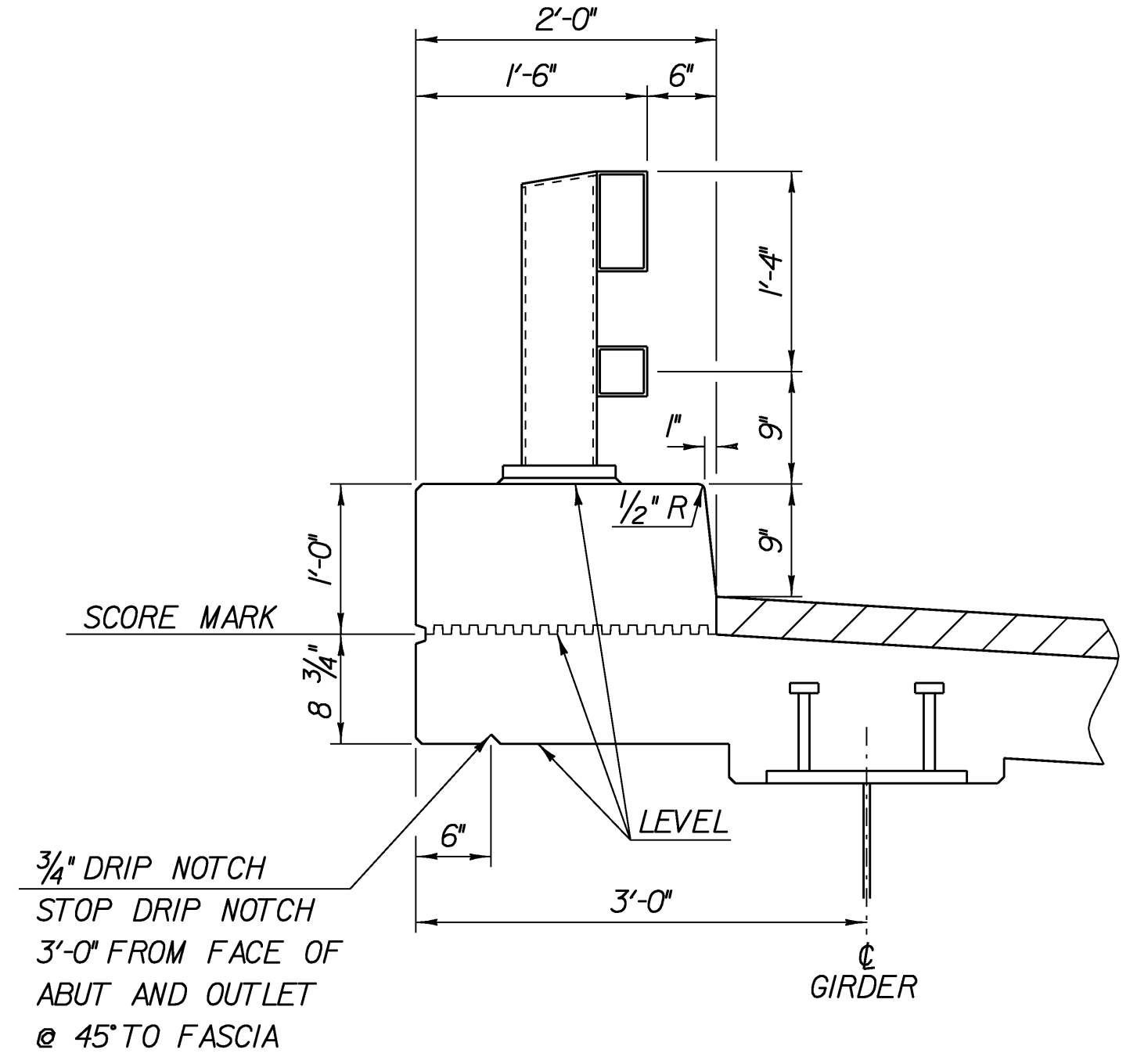
SCALE 1" = 1'-0"
1 9 6 3 0 2



TYPICAL SECTION THROUGH CONCRETE CURB CONSTRUCTION JOINT

NTS

- HORIZONTAL CONSTRUCTION JOINT
1. THE SURFACE OF THE CONCRETE CONSTRUCTION JOINTS SHALL BE CLEANED AND FREE OF LAITANCE AND SHALL BE ROUGHENED TO A FULL AMPLITUDE OF 1/4".
 2. IMMEDIATELY BEFORE NEW CONCRETE IS PLACED, ALL CONSTRUCTION JOINTS SHALL BE WETTED AND STANDING WATER REMOVED.



CURB SECTION - LEFT FASCIA

SCALE 1" = 1'-0"
1 9 6 3 0 2

DECK TYPICAL & DETAILS

PROJECT NAME:	STOCKBRIDGE	PLOT DATE:	06-FEB-2008
PROJECT NUMBER:	BRF 013-4(21)	DRAWN BY:	R. PELLETT
FILE NAME:	/78f238/str5/sf238sup.dgn	CHECKED BY:	T. FILLBACH
PROJECT LEADER:	K. HIGGINS	SHEET	73 OF 144
DESIGNED BY:	T. SUMNER		
sf238dck.1			