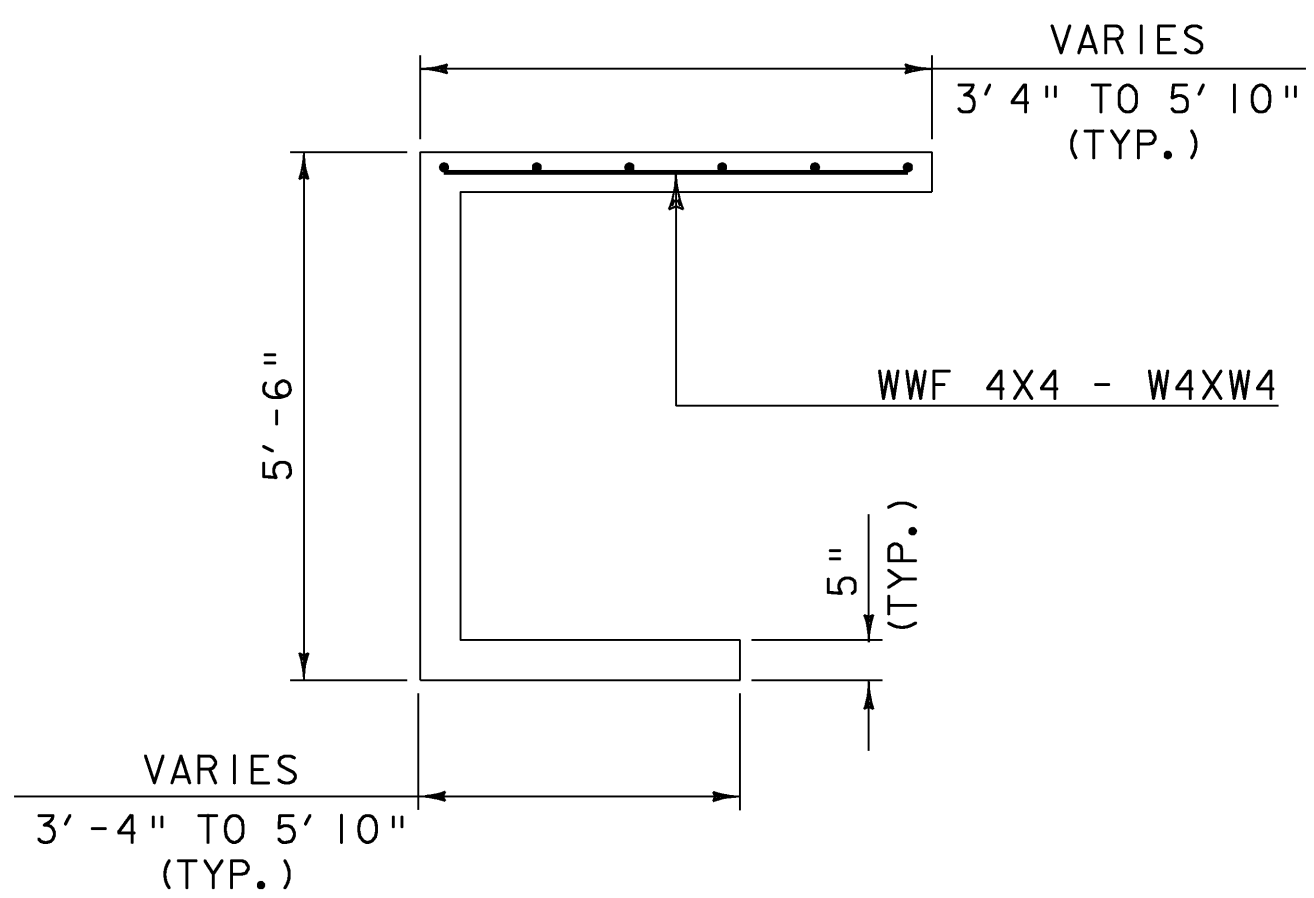
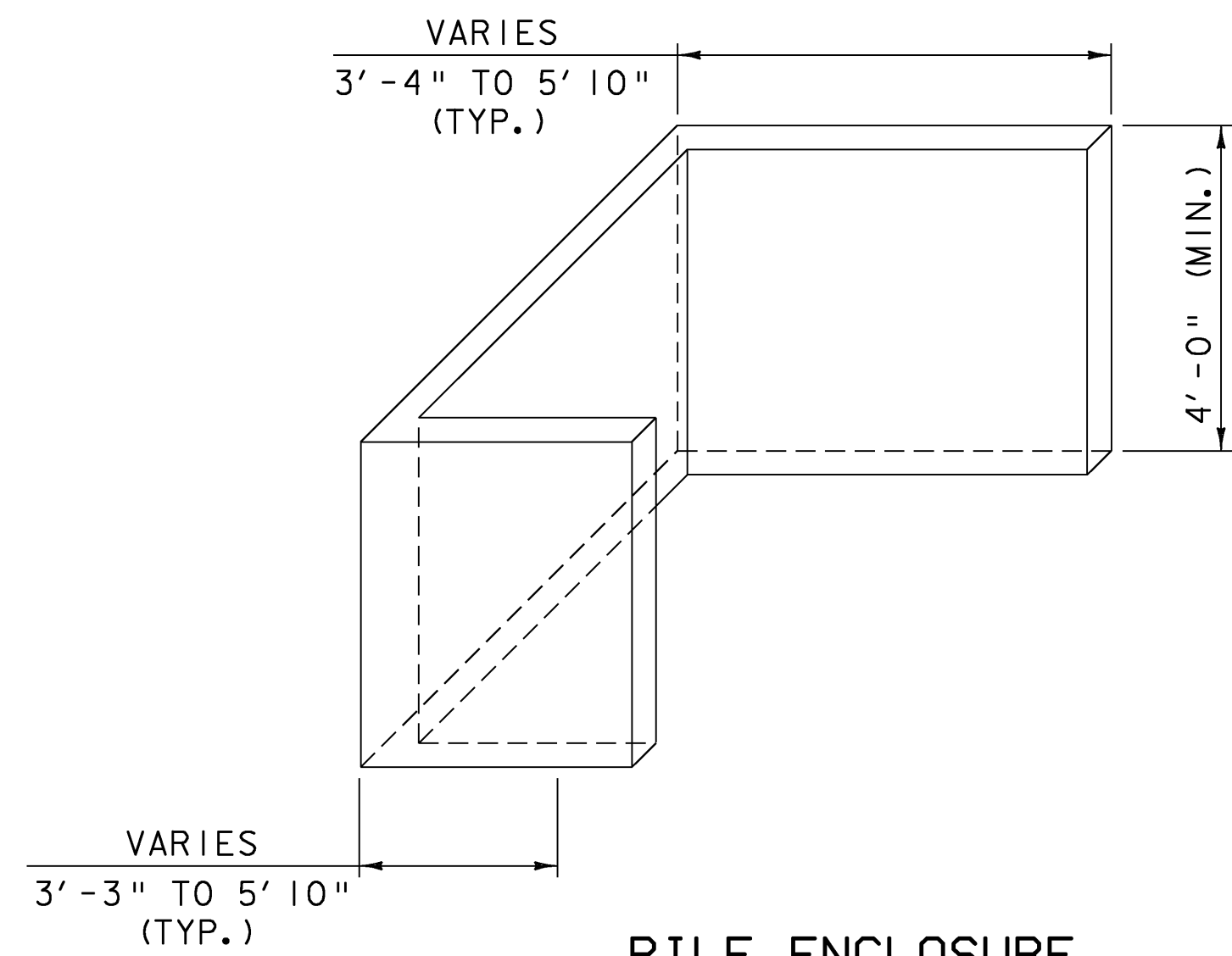


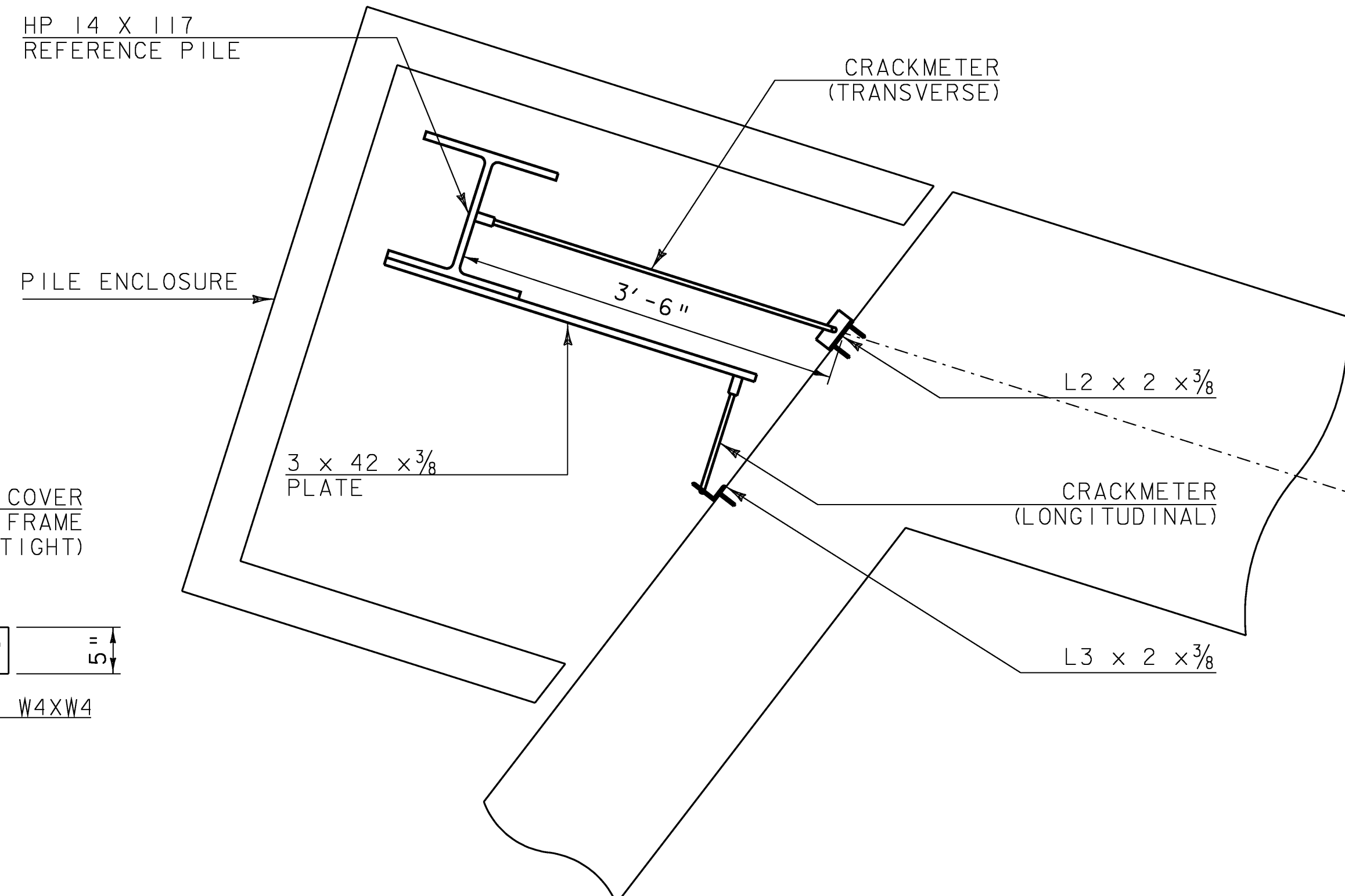
PILE ENCLOSURE LID
NOT TO SCALE



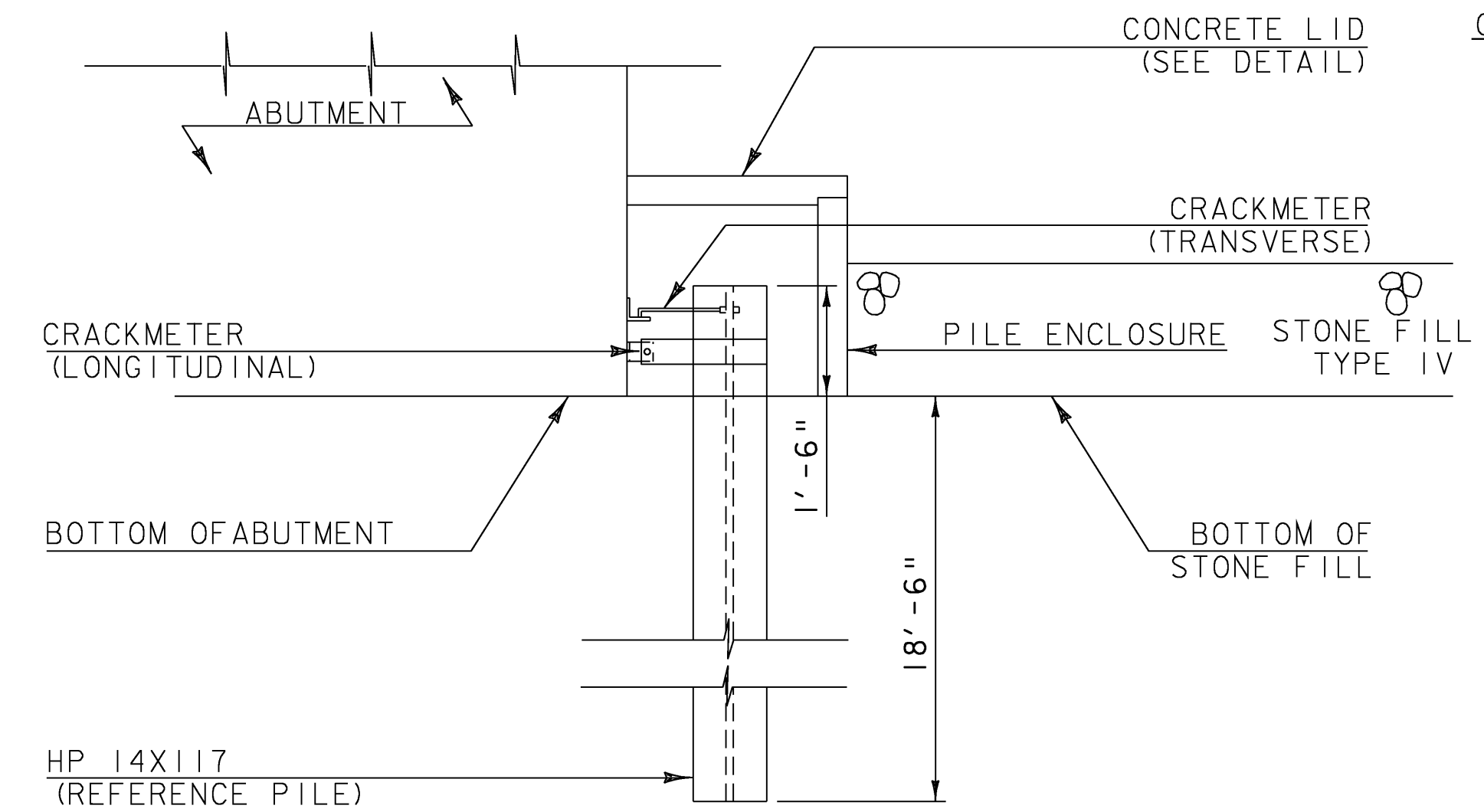
PILE ENCLOSURE
NOT TO SCALE



ALTERNATE ENCLOSURE AND LID CONFIGURATION MAY BE SUBMITTED FOR APPROVAL.

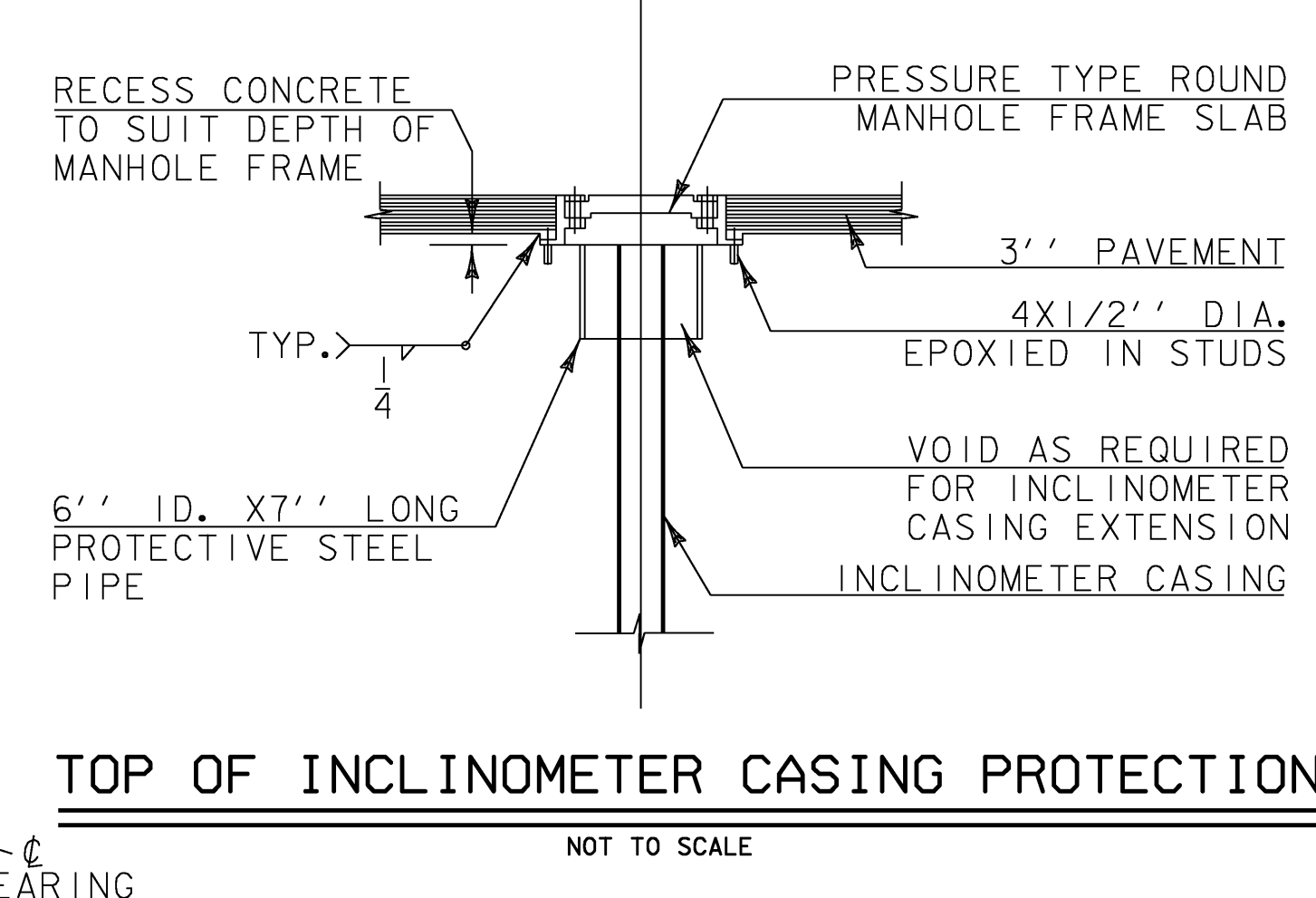


REFERENCE PILE AND GAGE LAYOUT
NOT TO SCALE

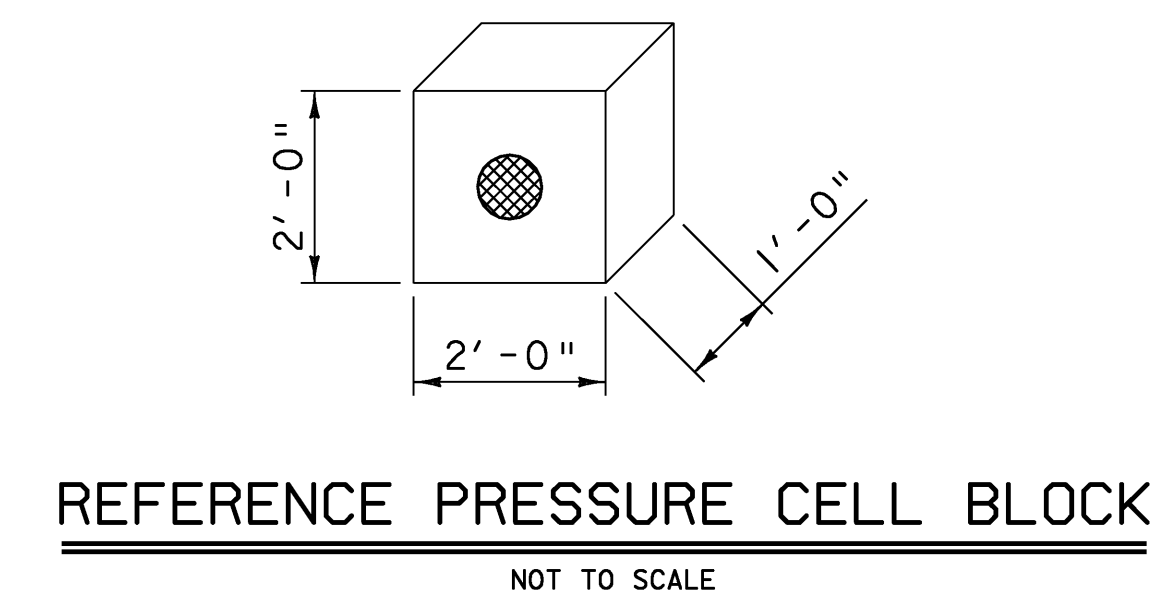


REFERENCE PILE AND GAGE ELEVATION VIEW
NOT TO SCALE

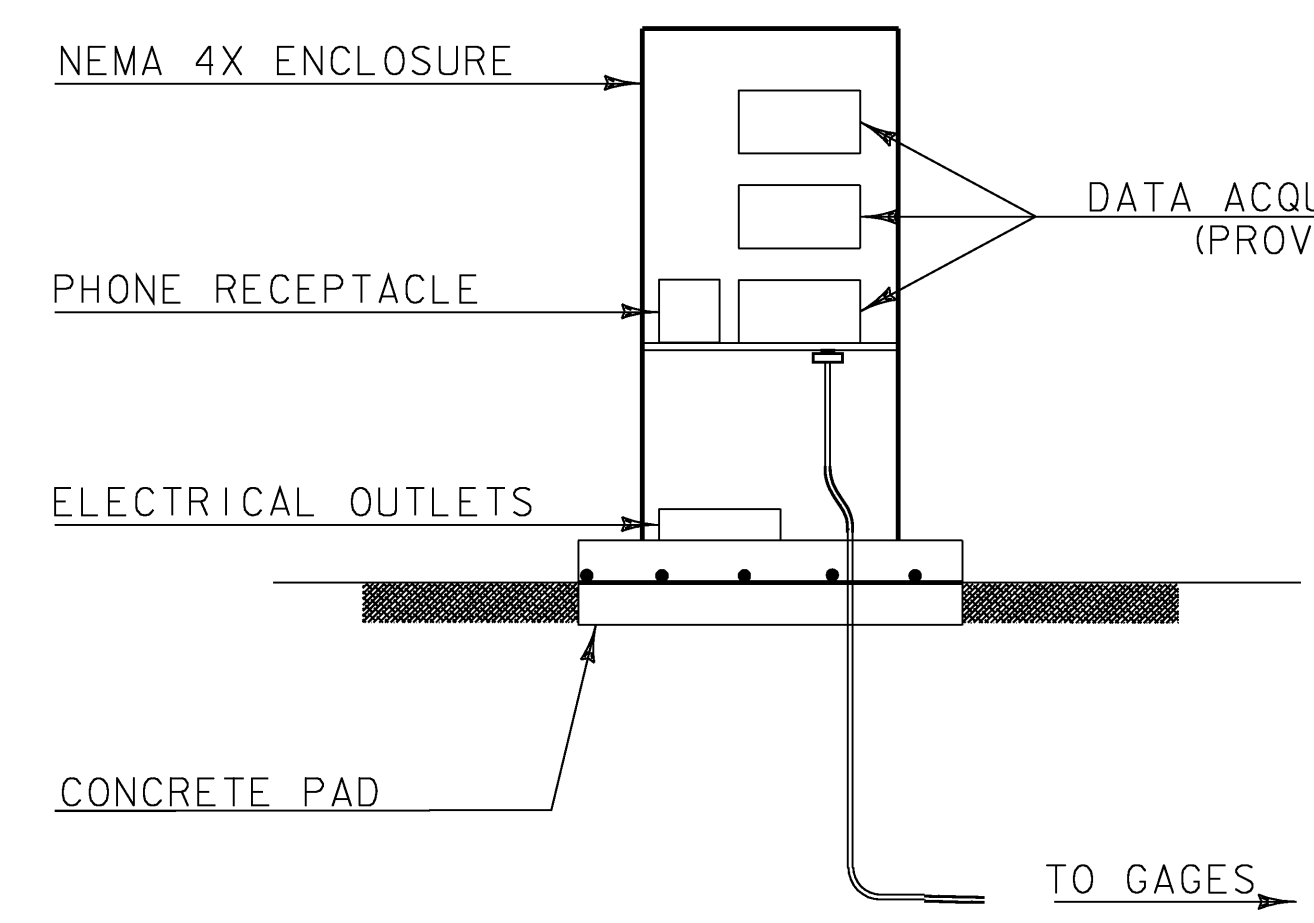
- NOTES:
- GAGES SHOWN AT DIFFERENT ELEVATIONS FOR CLARITY.
 - GAGES SHOULD BE ATTACHED BETWEEN ONE AND TWO FEET ABOVE BOTTOM OF ABUTMENT. FINAL LOCATION DETERMINED IN THE FIELD BY UMASS.
 - ONLY ONE TRANSVERSE CRACKMETER PER ABUTMENT.
 - REFERENCE PILE SIZE SUBSTITUTIONS ARE ACCEPTABLE.



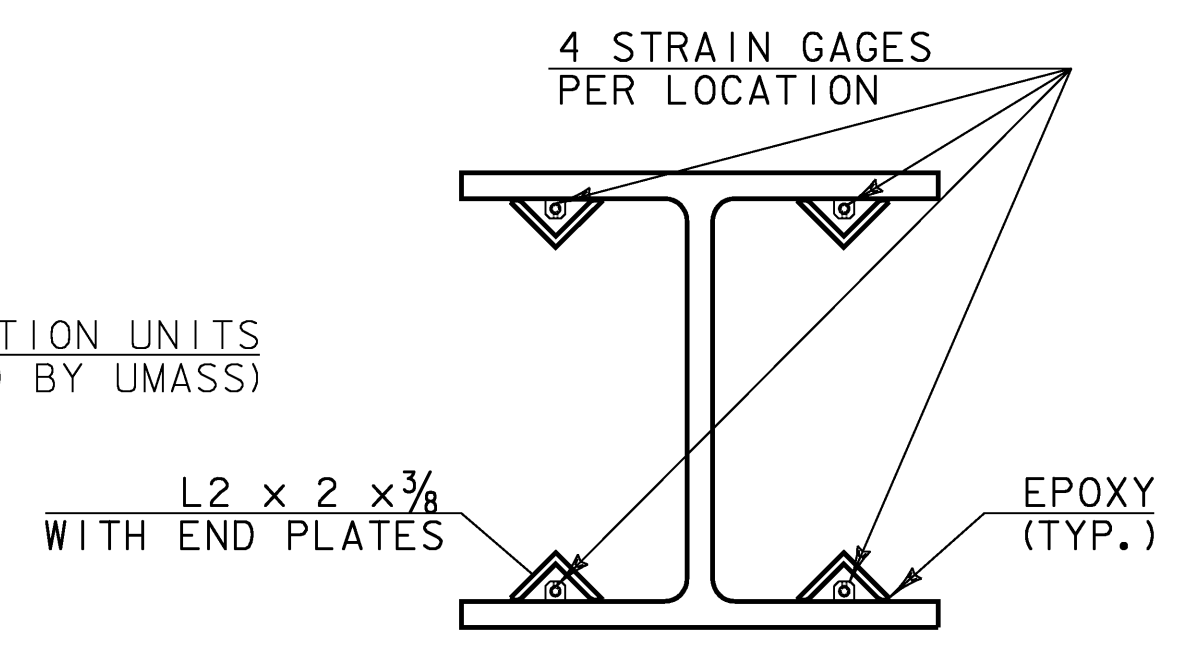
TOP OF INCLINOMETER CASING PROTECTION
NOT TO SCALE



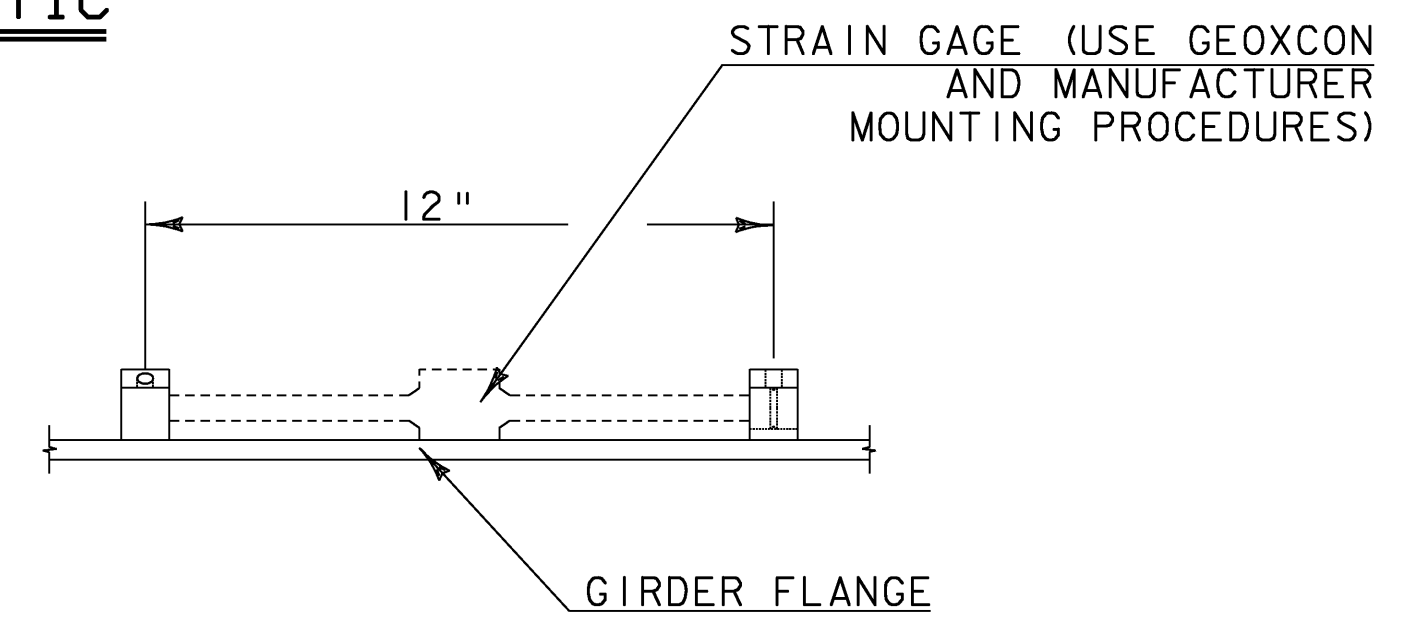
REFERENCE PRESSURE CELL BLOCK
NOT TO SCALE



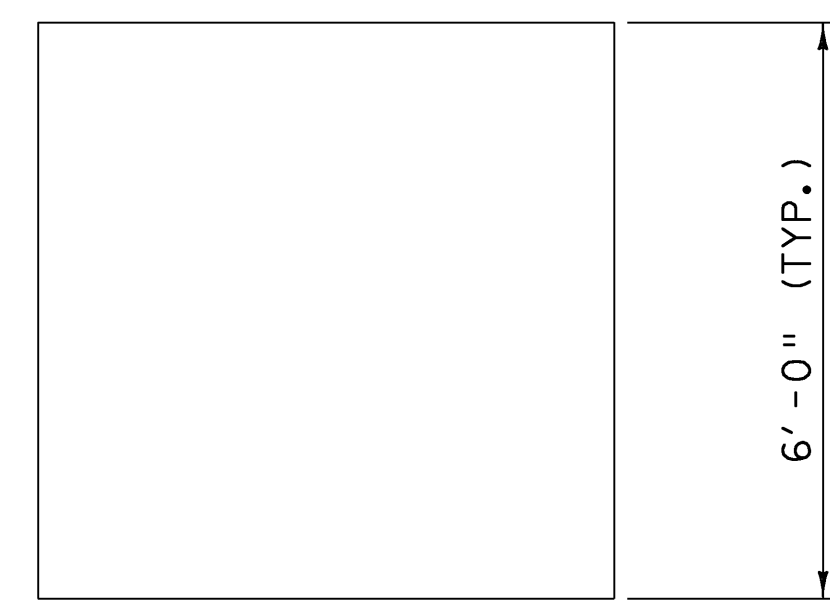
DATA ENCLOSURE SCHEMATIC
NOT TO SCALE



GIRDER STRAIN GAGE DETAIL
NOT TO SCALE



STRAIN GAGE ON GIRDER
NOT TO SCALE



CONCRETE PAD
NOT TO SCALE

MISCELLANEOUS INSTRUMENTATION DETAILS

PROJECT NAME:	STOCKBRIDGE
PROJECT NUMBER:	BRF 013-4 (21)
FILE NAME: /78f238/sfr5/sf238monitor	PLOT DATE: 06-FEB-2008
PROJECT LEADER: K. HIGGINS	DRAWN BY: J. SALVATORI
DESIGNED BY: T. FILLBACH	CHECKED BY: C. ALLEN
sf238idl.i	SHEET 68 OF 144