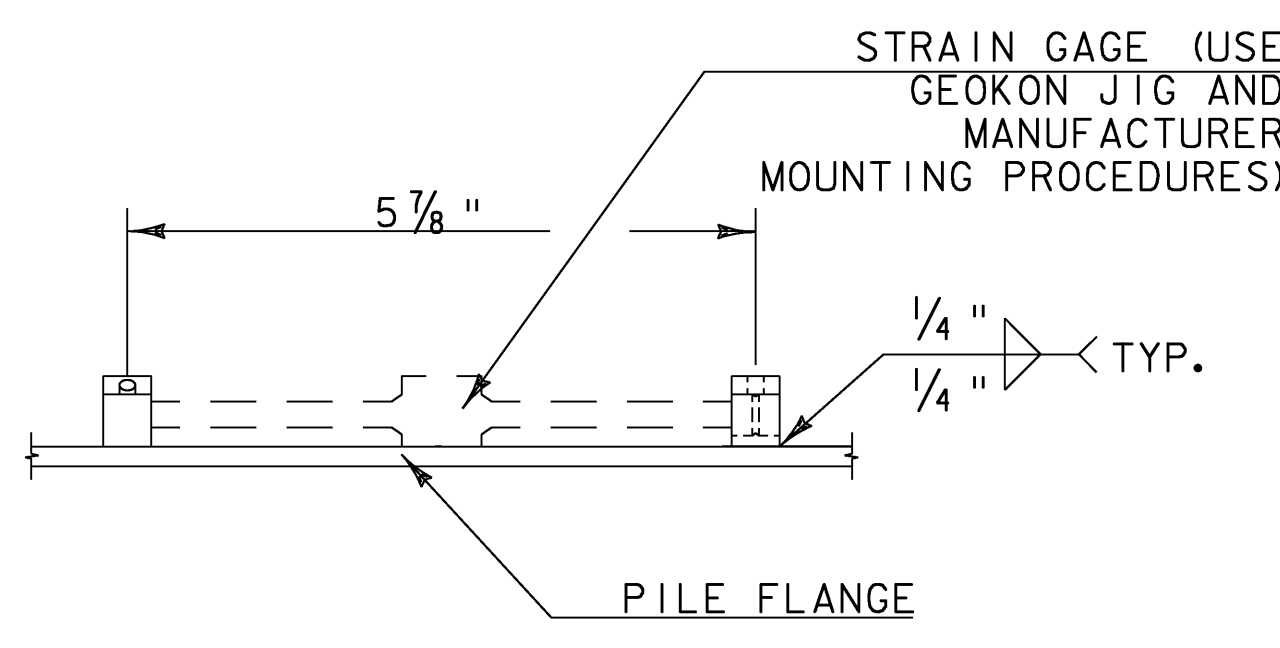


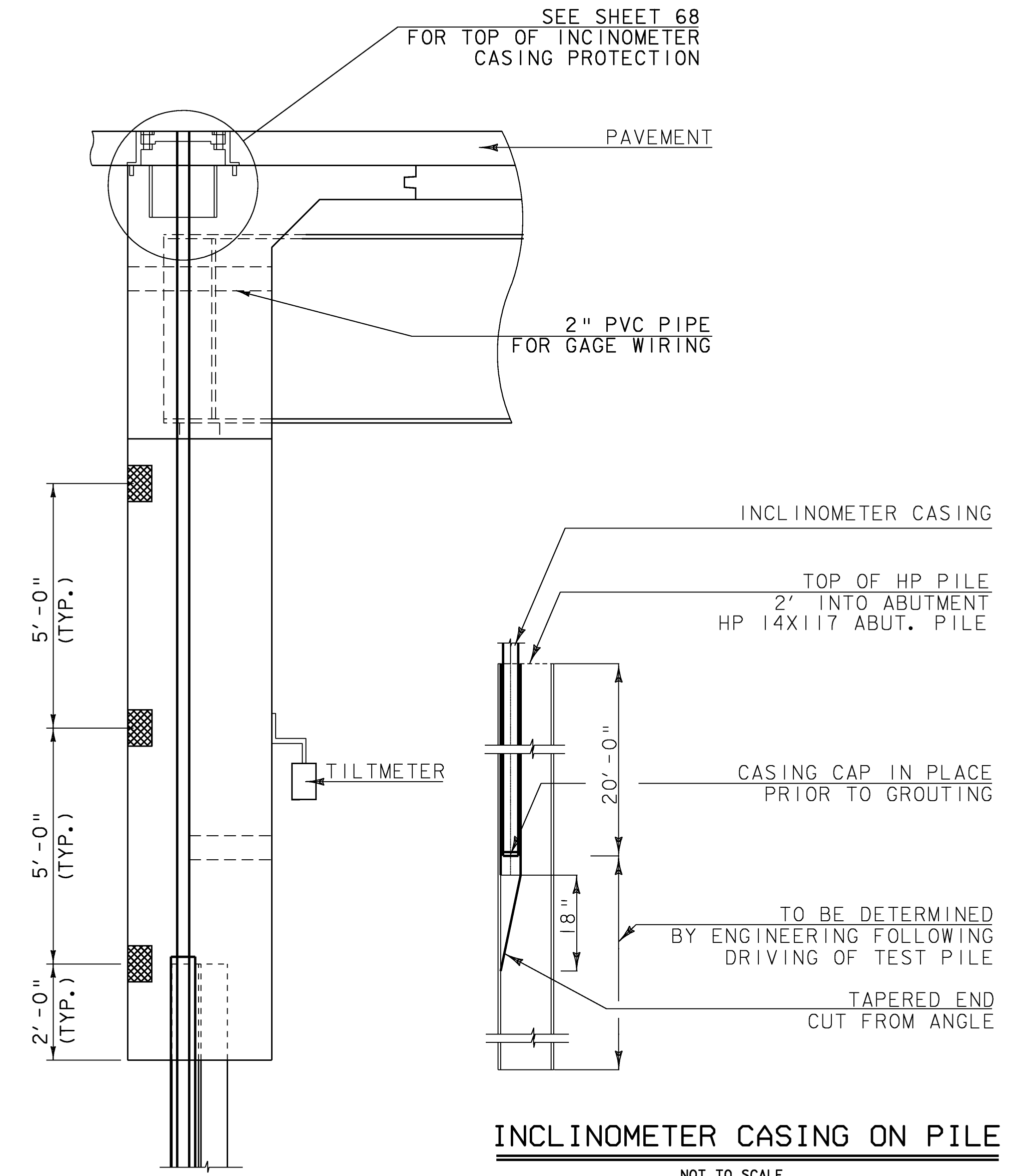
ABUTMENT ELEVATION
 ABUTMENTS 1 AND 2 SIMILAR

SCALE 1/2" = 1'-0"
 0 1 2

- NOTES:
1. CONTRACTOR SHALL DRIVE NON-INSTRUMENTED (INTERIOR) PILES BEFORE DRIVING INSTRUMENTED PILES AT EACH ABUTMENT TO DETERMINE PROPER INSTRUMENT PLACEMENT.
 2. ALL EARTH PRESSURE CELLS SHALL BE INSTALLED ON THE BACKFILLED SIDE OF THE ABUTMENT. INSTRUMENTS SHALL BE ATTACHED TO INSIDE OF CONCRETE FORM WORK PRIOR TO ABUTMENT CONCRETE PLACEMENT. CARE SHALL BE TAKEN TO ROUTE INSTRUMENTATION WIRING THROUGH FORM WORK.
 3. SEE SHEET 90 FOR LOCATION OF PRESSURE CELLS ON WINGWALLS.



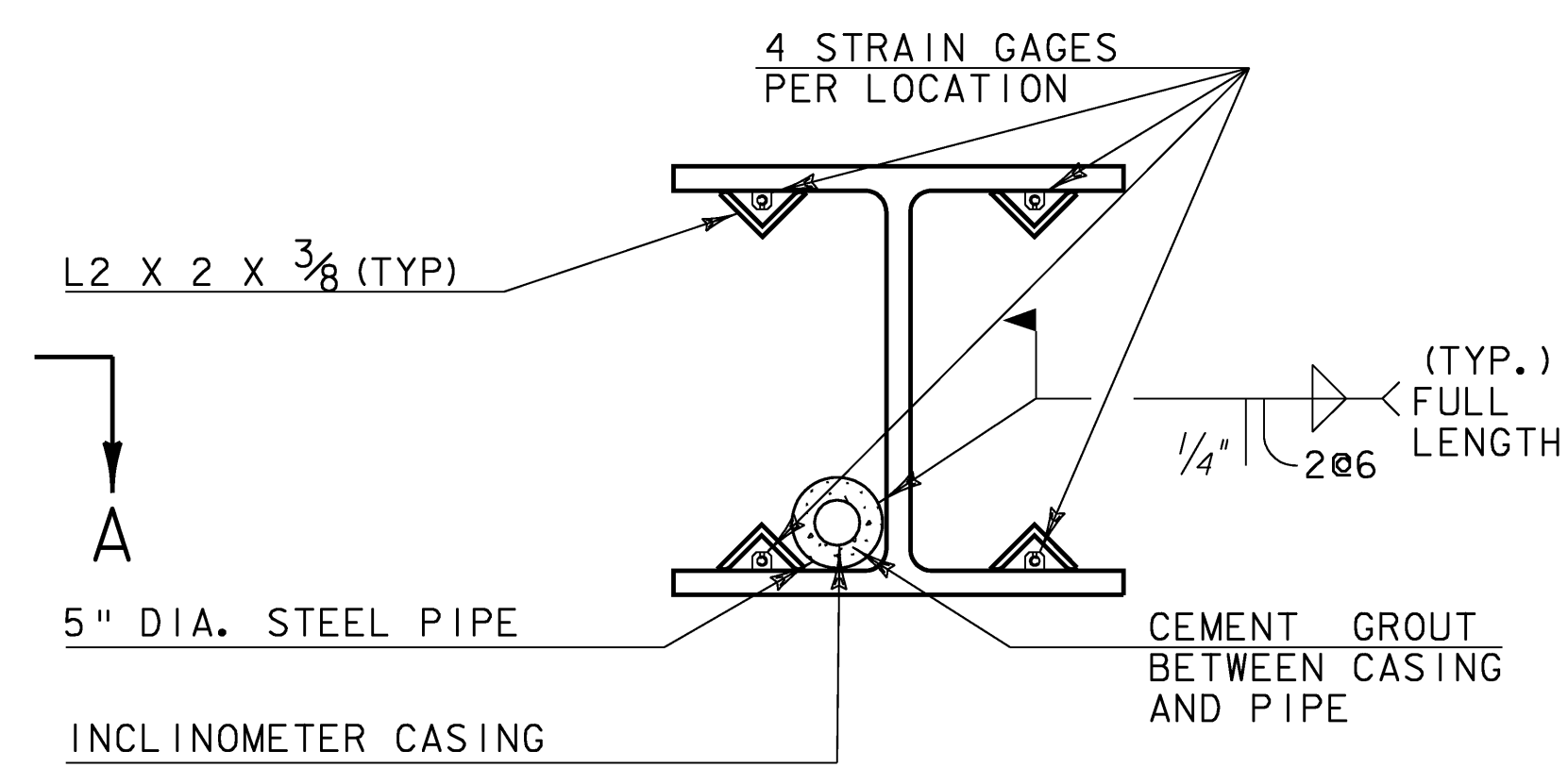
STRAIN GAGE ON PILE
 NOT TO SCALE



SECTION B-B
 NOT TO SCALE

INCLINOMETER CASING ON PILE
 NOT TO SCALE

- GAGES - PROVIDED BY UMASS
- GEOKON 4000 STRAIN GAGES (GROUP OF 4)
 - GEOKON 4810 EARTH PRESSURE CELL
 - GEOKON 6400 INCLINOMETER CASING
 - GEOKON 6160 MEMS TILTMETER



SECTION A-A
 NOT TO SCALE

ABUTMENT AND PILE INSTRUMENTATION

PROJECT NAME:	STOCKBRIDGE
PROJECT NUMBER:	BRF 013-4 (21)
FILE NAME: /78f238/str5/sf238monitor	PLOT DATE: 06-FEB-2008
PROJECT LEADER: K. HIGGINS	DRAWN BY: J. SALVATORI
DESIGNED BY: T. FILLBACH	CHECKED BY: C. ALLEN
sf238 tab. i	SHEET 67 OF 144