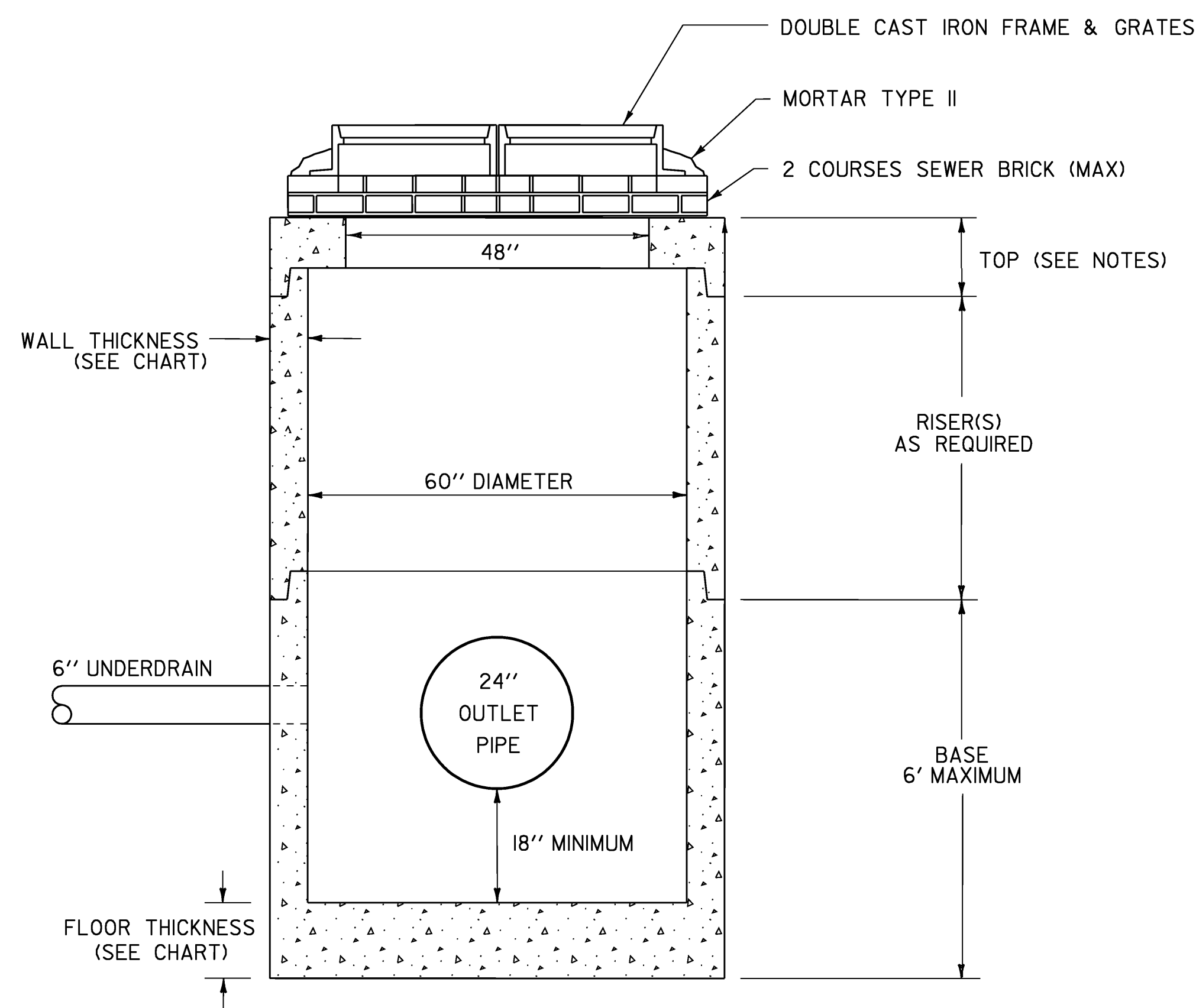
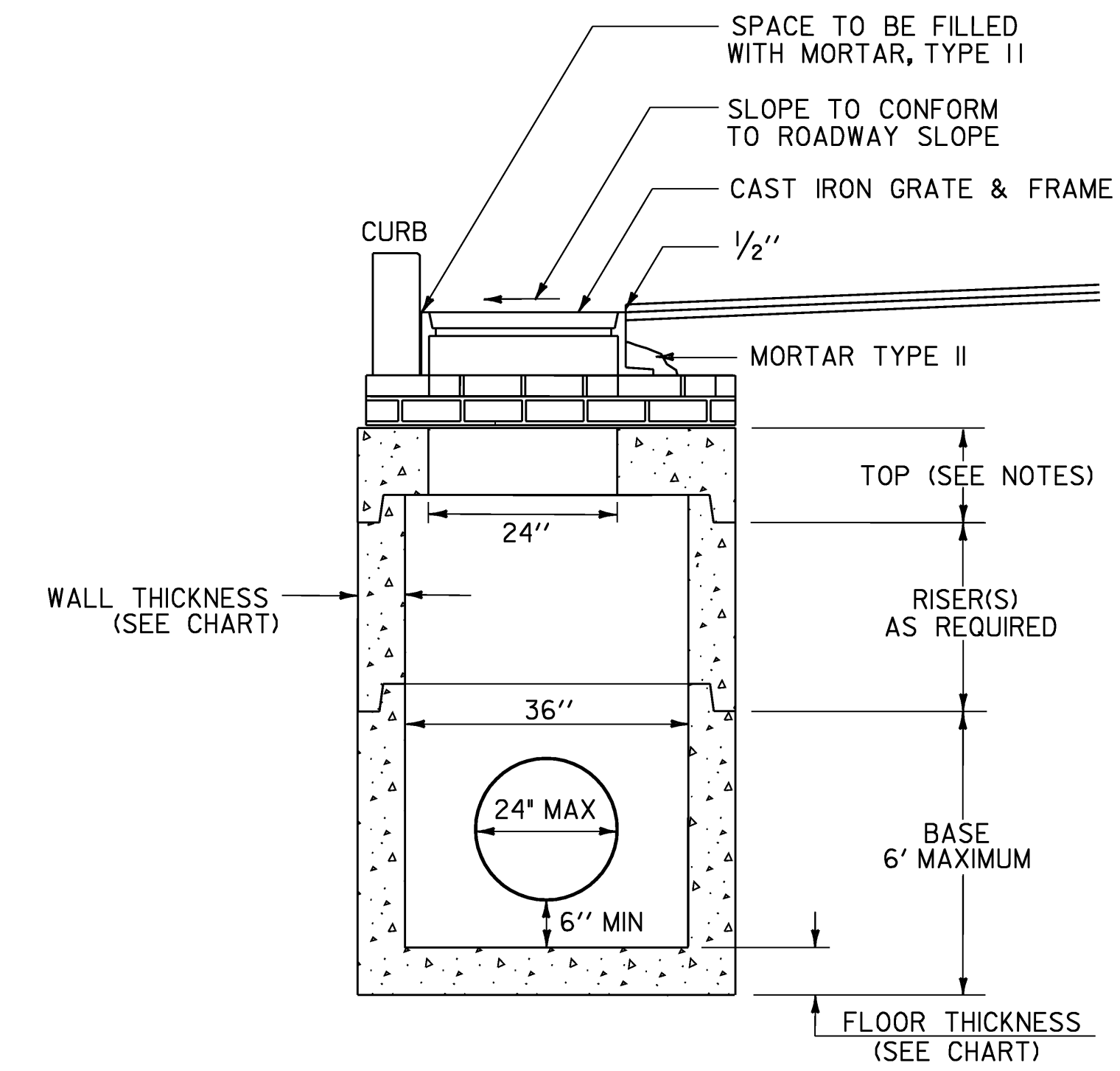


PLAN VIEW



PRECAST CATCH BASIN WITH DOUBLE GRATES  
N. T. S.

- ### NOTES
1. ALL PRECAST CONCRETE DROP INLETS AND CATCH BASINS SHALL BE DESIGNED AND MANUFACTURED IN ACCORDANCE WITH SUBSECTION 705.04.
  2. THE CONTRACTOR IS RESPONSIBLE FOR VERIFYING ALL INVERT ELEVATIONS, PIPE SIZES AND LOCATIONS SHOWN PRIOR TO ORDERING THE PRECAST COMPONENTS.
  3. SEE STANDARDS D-9 AND D-15 FOR CAST IRON FRAME AND GRATE DETAILS.
  4. THE TOP SECTIONS MAY BE EITHER THE FLAT TOPS AS SHOWN OR CONE SECTIONS. IF CONE SECTIONS ARE USED THEY MAY EITHER BE CONCENTRIC OR ECCENTRIC. PIPES ARE NOT PERMITTED TO ENTER CONE SECTIONS.
  5. PRECAST SECTIONS SHALL HAVE A TONGUE AND GROOVE JOINT 4" HIGH AT AN ANGLE OF 11 DEGREES CENTERED IN THE WIDTH OF THE JOINT. ALL SECTIONS SHALL BE ASSEMBLED USING AN APPROVED FLEXIBLE SEALANT.
  6. ALL SECTIONS WITH MULTIPLE PIPES SHALL HAVE A MINIMUM OF 1'-0" OF OUTSIDE SURFACE BETWEEN HOLES. NO MORE THAN 75% OF A HORIZONTAL CROSS SECTION SHALL BE HOLES. HOLES SHALL BE NO CLOSER THAN 3" TO A JOINT.



PRECAST DROP INLET  
W/ VERTICAL CURB  
N. T. S.

### SIZING CHART

DIAMETER	WALL THICKNESS	FLOOR THICKNESS
48" OR SMALLER	5"	6"
60"	6"	8"
72"	7"	8"
84"	8"	10"
96"	9"	10"

### PRECAST DROP INLET & PRECAST CATCH BASIN DETAILS

PROJECT NAME:	STOCKBRIDGE	
PROJECT NUMBER:	BRF 013-1(21)	
FILE NAME:	78f238/str5/precastDI.dgn	PLOT DATE: 06-FEB-2008
PROJECT LEADER:	K, HIGGINS	DRAWN BY: G, SHANGRAW
DESIGNED BY:	W. SYMONDS	CHECKED BY: T. SUMNER
sf238precastDI		SHEET 30 OF 144

Not To Scale