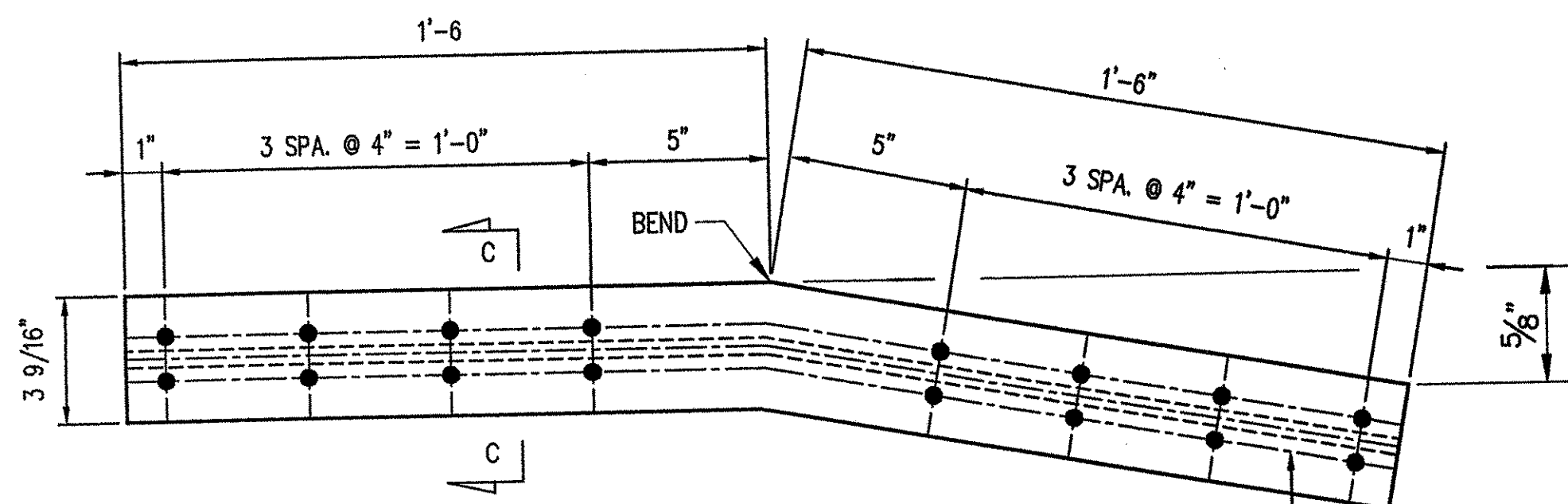
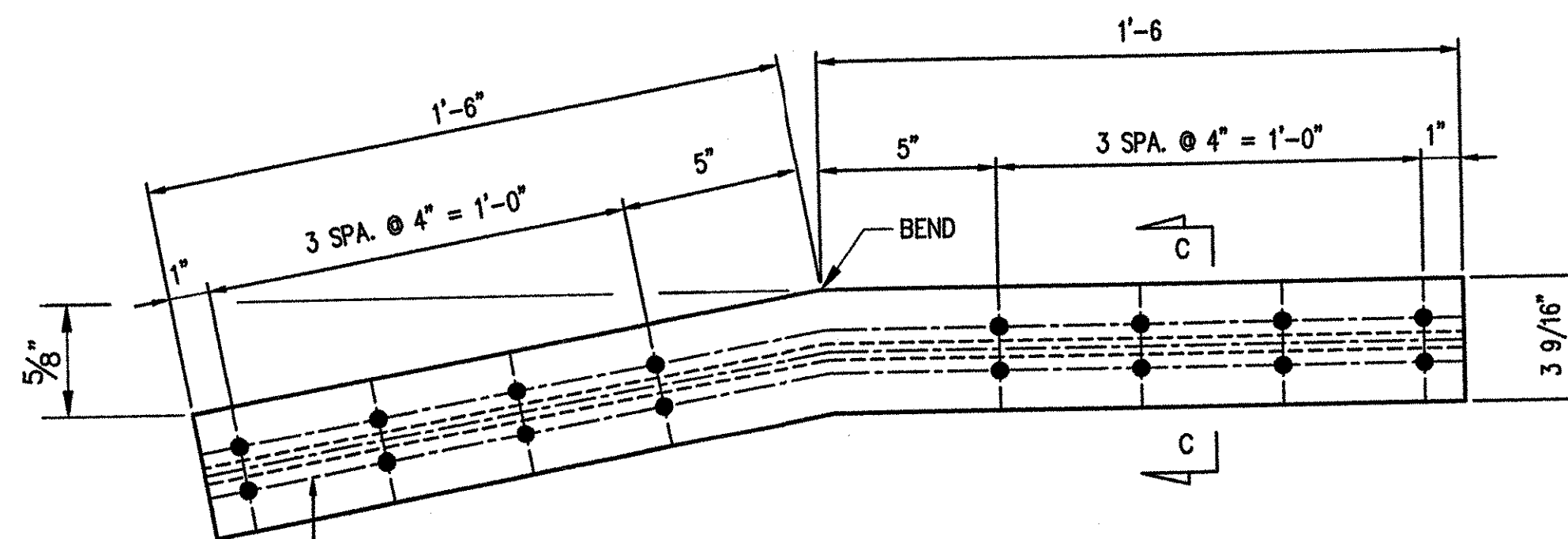


PLAN VIEW



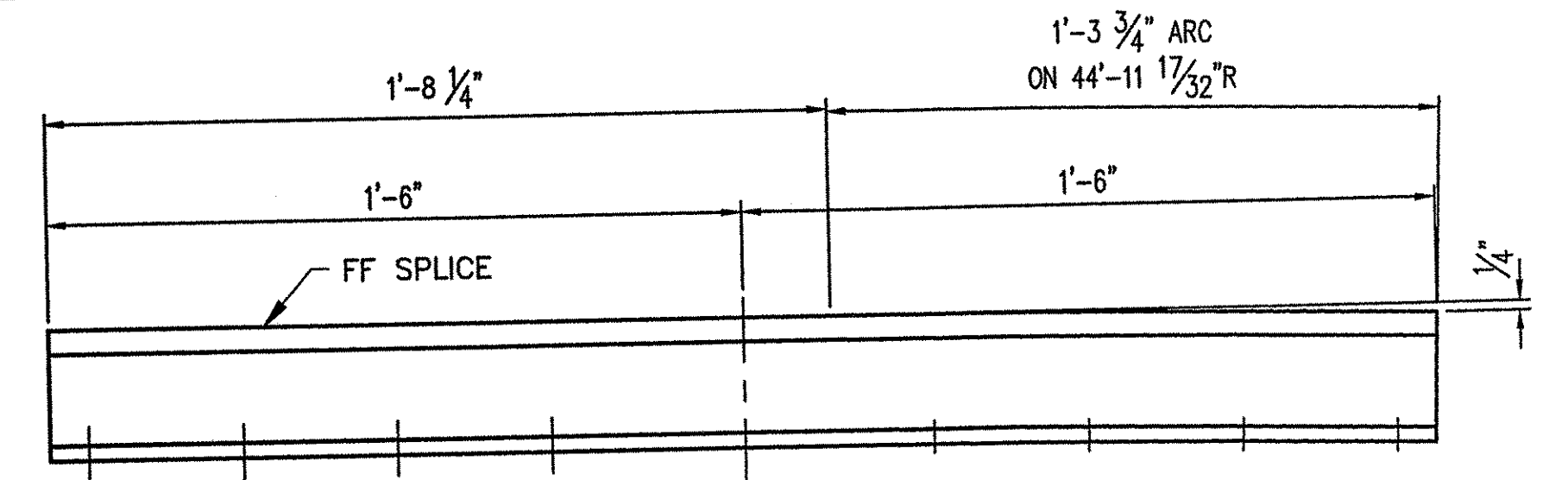
ONE ~ REQ'D BENT SPlice SLEEVES SS-03-4

DRILL AND TAP FOR
1/2"-13UNC BOLT (16 REQ'D)
'FB2' (#23022)

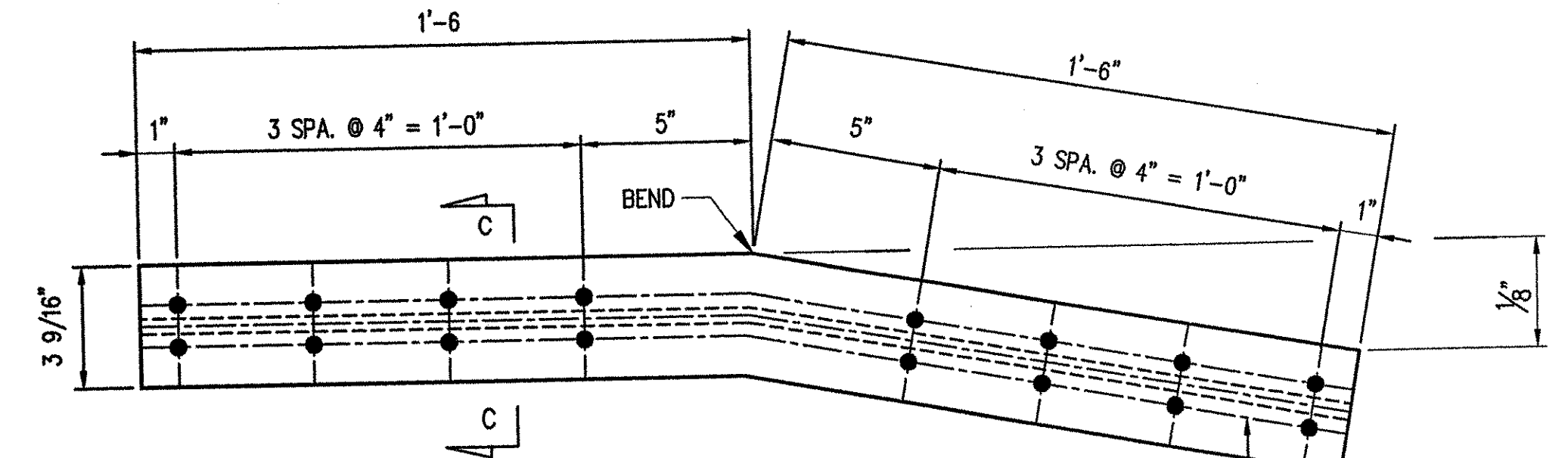


ONE ~ REQ'D BENT SPlice SLEEVES SS-03-2

DRILL AND TAP FOR
1/2"-13UNC BOLT (16 REQ'D)
'FB2' (#23022)

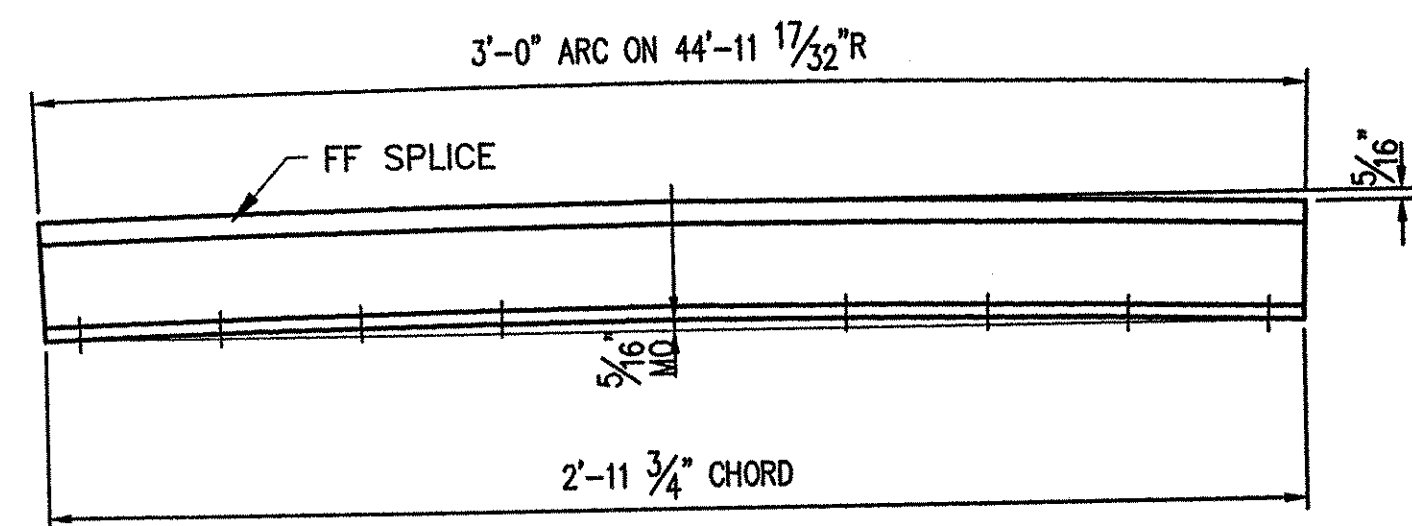


PLAN VIEW

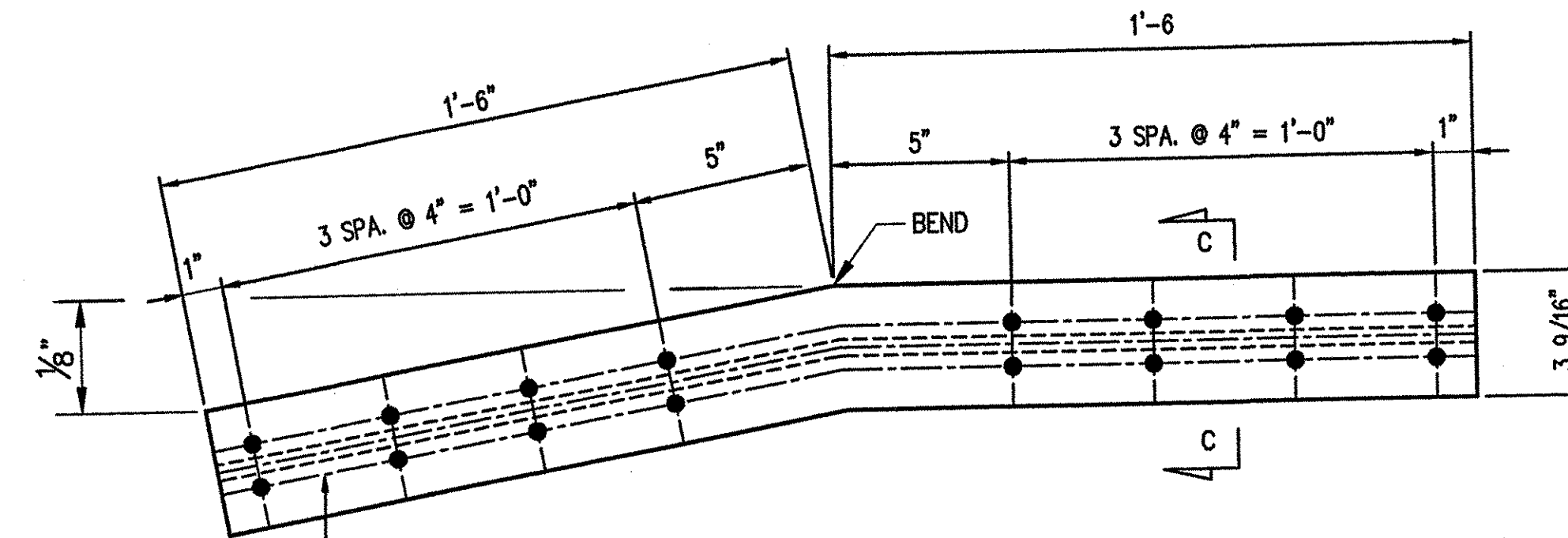


ONE ~ REQ'D BENT SPlice SLEEVES SS-03-5

DRILL AND TAP FOR
1/2"-13UNC BOLT (16 REQ'D)
'FB2' (#23022)

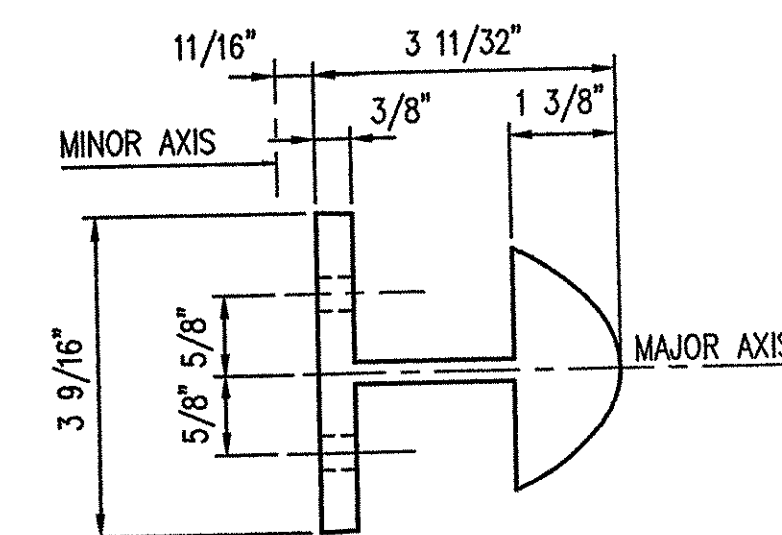


PLAN VIEW

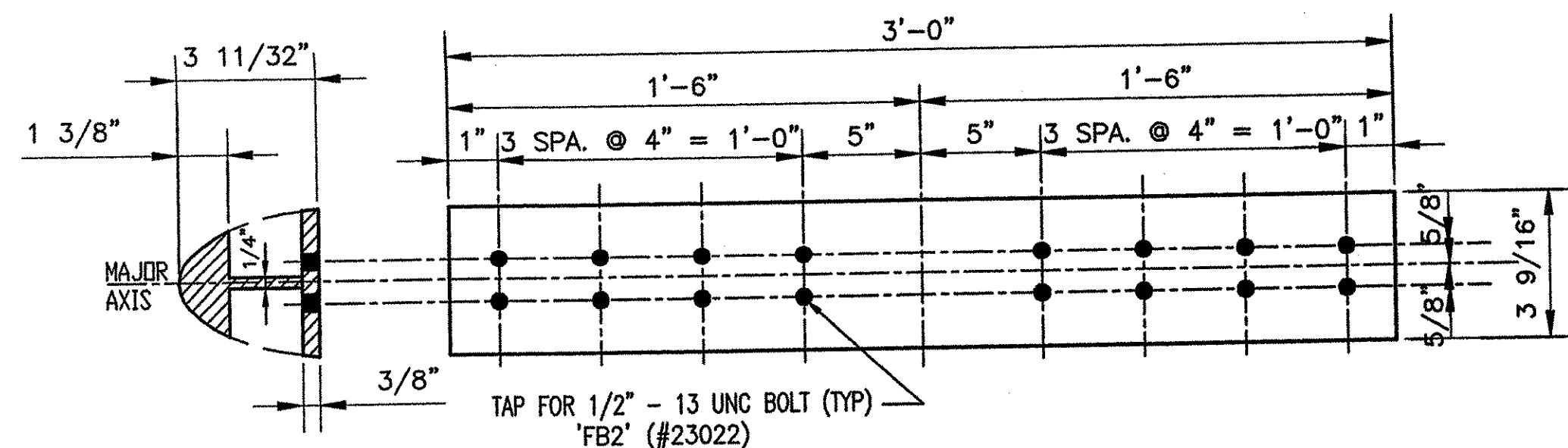


ONE ~ REQ'D BENT SPlice SLEEVES SS-03-3

DRILL AND TAP FOR
1/2"-13UNC BOLT (16 REQ'D)
'FB2' (#23022)



SECTION C-C



2 ~ REQ'D BENT SPlice SLEEVES SS-03-6

TAP FOR 1/2" - 13 UNC BOLT (TYP)
'FB2' (#23022)

Vtrans
RECEIVED
OK'D BY Gren OK'D BY _____
JAN 12 2005
RESUBMIT _____ APPROVED _____
BY _____ DATE _____

BRIDGE No. 21
PROJ. No: BRS 0147(5) ITEM No: 621.74

APPROVED: _____ REC'D APPROVAL _____
DRAWING _____

L.B. FOSTER COMPANY
1018 GREENTREE ROAD
PITTSBURGH, PENNSYLVANIA 15220

FOR: BECK & BELLUCCI, INCORPORATED
VERMONT AGENCY OF TRANSPORTATION
TOWN OF ROYALTON, COUNTY OF WINDSOR
BRIDGE APPROACH RAILING FOR VT RTE 14 OVER WHITE RIVER
SPlice DETAILS

MADE CMS DATE 10/08/04 JOB No. AR0170 CUST. No. _____
CHECK AW DATE 10/21/04 DRAWING LB12 REV. No. _____

REV.	DESCRIPTION	BY	DATE