

GENERAL NOTES

ALL MATERIAL AND WORKMANSHIP SHALL BE IN ACCORDANCE WITH THE VERMONT AGENCY OF TRANSPORTATION STANDARD SPECIFICATIONS FOR CONSTRUCTION, DATED 2001.

DESCRIPTION	ASTM	ALLOY/GR.	REMARKS
RAILS, POSTS, SPLICES, PINS, CLAMP BARS & OFFSET BLOCKS	B221	6061-T6 OR 6351-T5	MIN. YIELD STRENGTH Fy = 35,000 psi.
HEX HEAD BOLTS	A193	GR. B8	
ALUMINUM WASHERS	B209	2024-T4	ALCLAD
STN. STL. NUTS	A194	GR. 8	TENSILE STRENGTH 75,000 PSI
END CAPS	B26	356-F	DRIVE TYPE
BACKUP PLATE	M270	GR. 36	GALV. PER A153
ELECTRODES FOR WELDING	AWS A5.10	ER5356	

POSTS TO BE NORMAL TO GRADE AND RAILS SHALL BE PARALLEL TO GRADE. RAILS TO BE ATTACHED TO A MINIMUM OF THREE POSTS WHEN POSSIBLE.

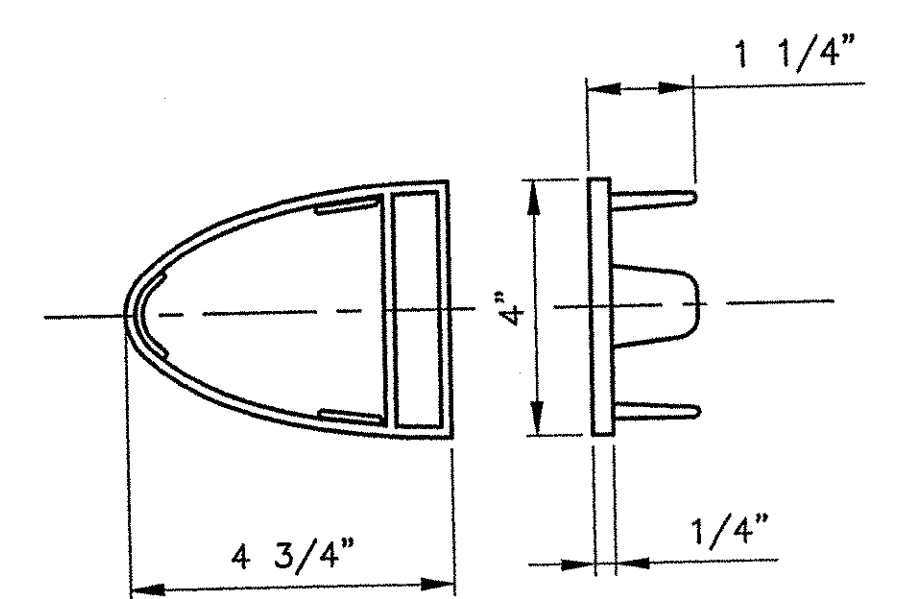
ALL RAILS AND WELDS TO BE FREE FROM ALL BURRS AND ROUGH EDGES. ENDS OF TUBE SECTIONS SHALL BE SAWED OR MILLED. GRIND ALL CUT EDGES SMOOTH.

ALL THREADS TO BE UNC CLASS 2A/2B. ALL EXTRUSION TOLERANCES NOT SHOWN SHALL BE IN ACCORDANCE WITH ASTM B221.

IF CUT THREADS ARE USED, BOLT DIAMETER SHALL NOT BE LESS THAN NOMINAL DIAMETER. IF ROLLED THREADS ARE USED, BOLT DIAMETER SHALL NOT BE LESS THAN THE ROOT DIAMETER OF THREADS.

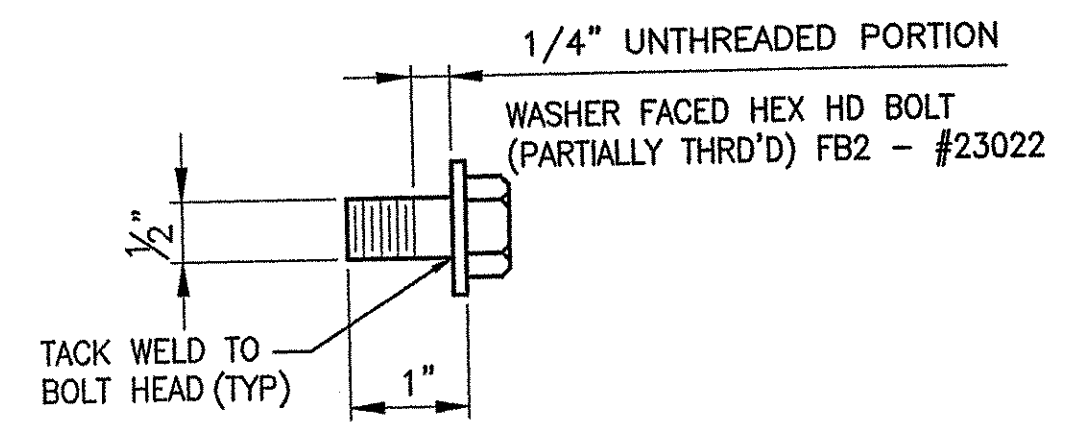
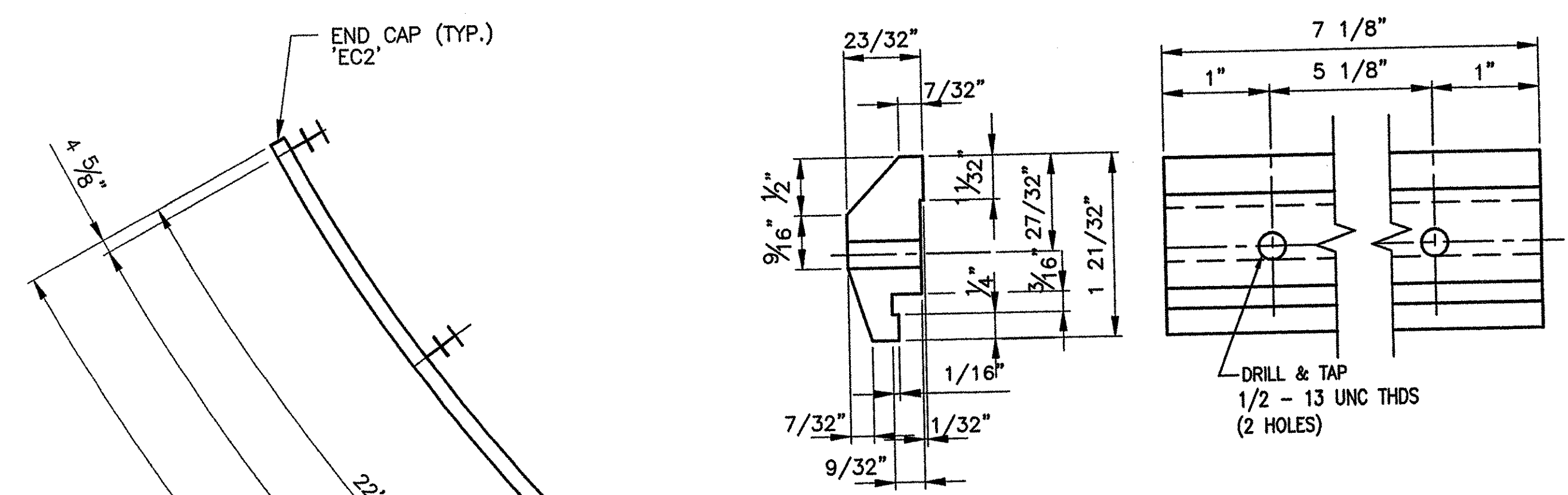
THE SPLICE BAR SHALL BE ATTACHED TO THE RAIL ELEMENT AS FOLLOWS: THE RAIL SPLICE AT THE BRIDGE EXPANSION JOINT SHALL BE FASTENED ON BOTH SIDES OF THE RAIL SPLICE USING THE PARTIALLY THREADED BOLTS, WITH THE WASHER FACED BOLT, TIGHTENED SECURELY TO THE END OF THREADS, AND LEAVING A 1/8" GAP. THIS ALLOWS EXPANSION ON BOTH SIDES OF THE JOINT.

ALL NUTS SHALL COMPLY WITH AMERICAN HEXAGON ANSI SPECIFICATIONS B18.2

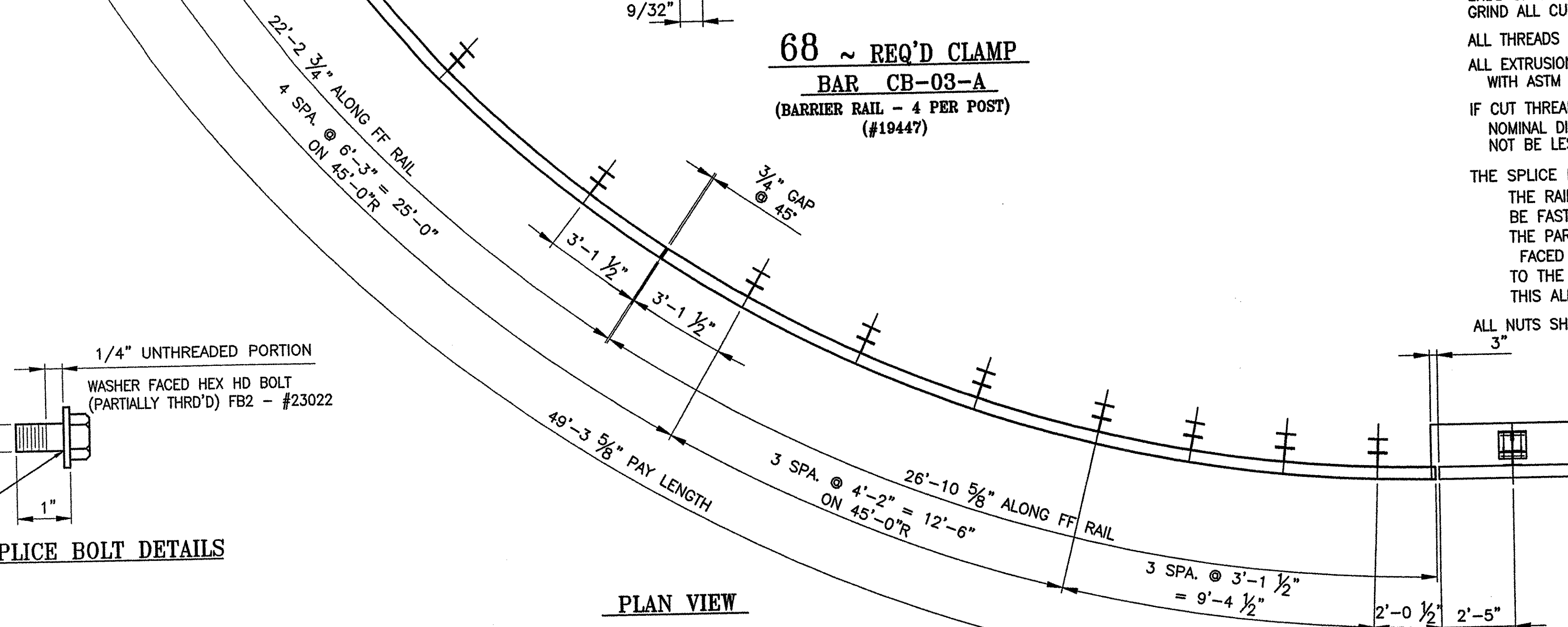


4 ~ REQ'D. ALUM END CAPS EC2
#19345

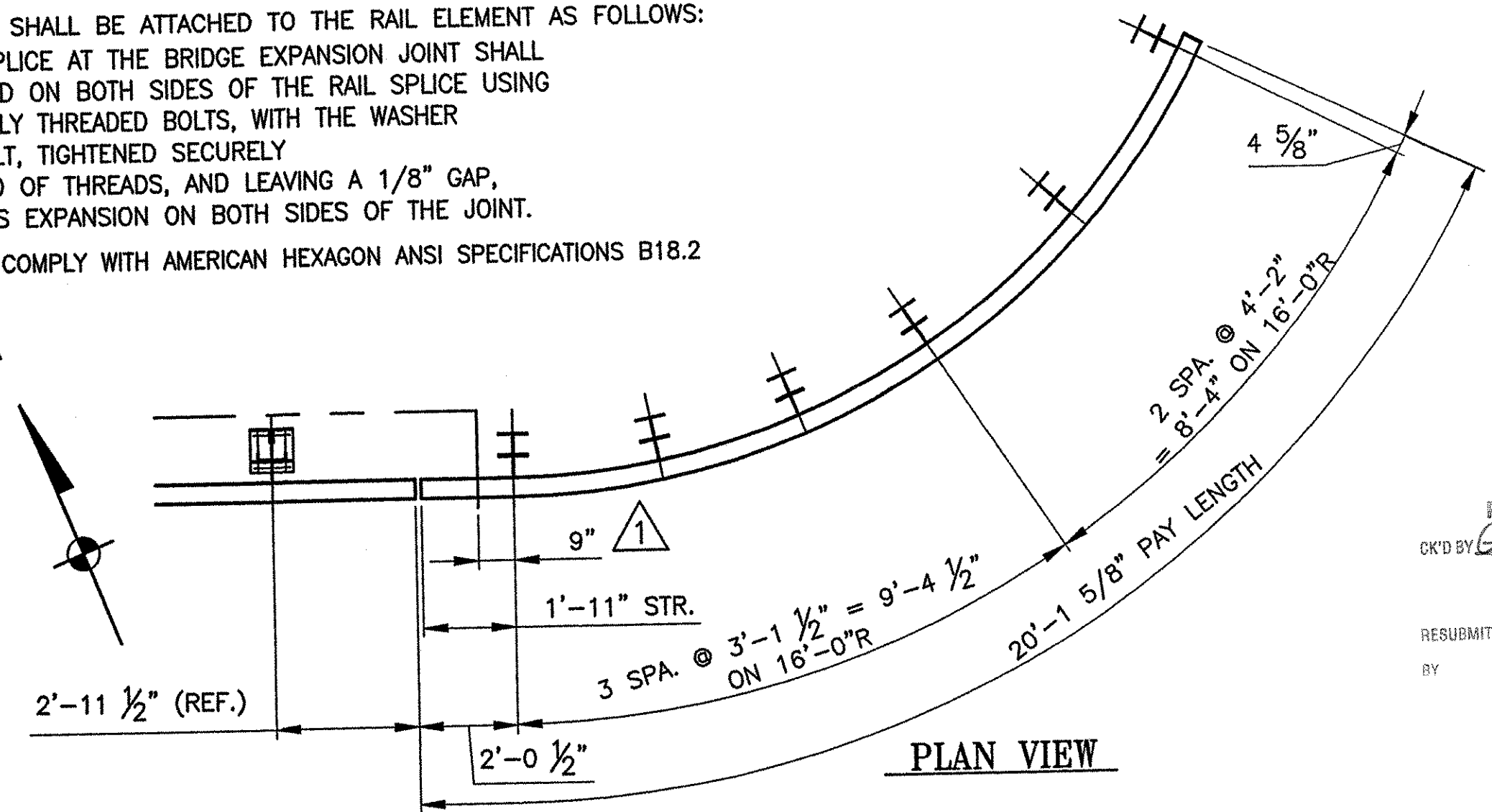
68 ~ REQ'D CLAMP BAR CB-03-A
(BARRIER RAIL - 4 PER POST)
#19447



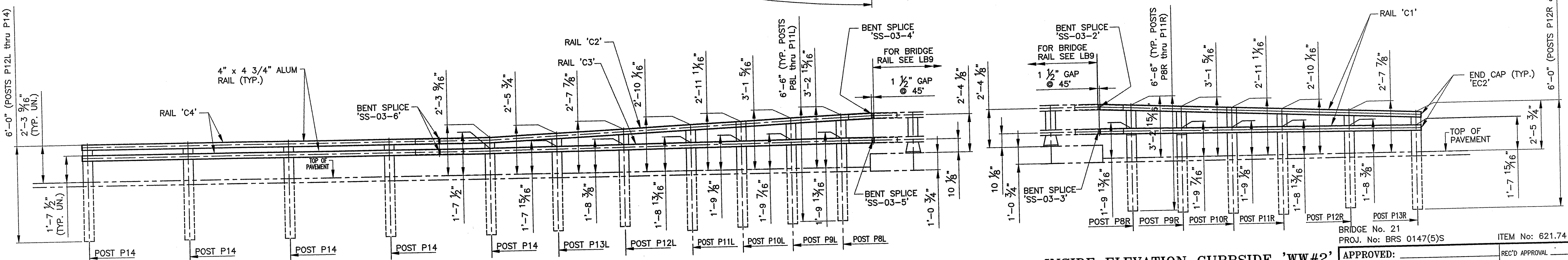
SPLICE BOLT DETAILS



PLAN VIEW



PLAN VIEW



INSIDE ELEVATION CURBSIDE 'WW#4'
(NE APPROACH)

INSIDE ELEVATION CURBSIDE 'WW#2'
(NE APPROACH)

- NOTE:**
- RAIL LENGTHS DO NOT INCLUDE END CAPS AND/OR GAPS.
 - LENGTH OF APPROACH RAILING ON THIS SHEET IS 70'-0" LF PAY LENGTH.
 - SEE LB15 FOR BILL OF MATERIAL.

Trans RECEIVED
CHKD BY: *Grav* OK'D BY:
JAN 12 2005
RESUBMIT APPROVED
BY: DATE

BRIDGE No. 21
PROJ. No: BRS 0147(5)S ITEM No: 621.74
APPROVED: _____ REC'D APPROVAL _____
DRAWING

L.B. FOSTER COMPANY
1016 GREENTREE ROAD
PITTSBURGH, PENNSYLVANIA 15220

FOR: BECK & BELLUCCI, INCORPORATED
VERMONT AGENCY OF TRANSPORTATION
TOWN OF ROYALTON, COUNTY OF WINDSOR
BRIDGE APPROACH RAILING FOR VT RTE 14 OVER WHITE RIVER
GENERAL NOTES, ELEVATIONS AND TYPICAL DETAILS

REV.	DESCRIPTION	BY	DATE
12	REVISED PER APPROVER COMMENTS	CMS	04/28/04
04			

MADE CMS DATE 10/08/04 JOB No. ARO170 CUST. No.
CHECK AW DATE 10/21/04 DRAWING LB10 REV. No. ONE