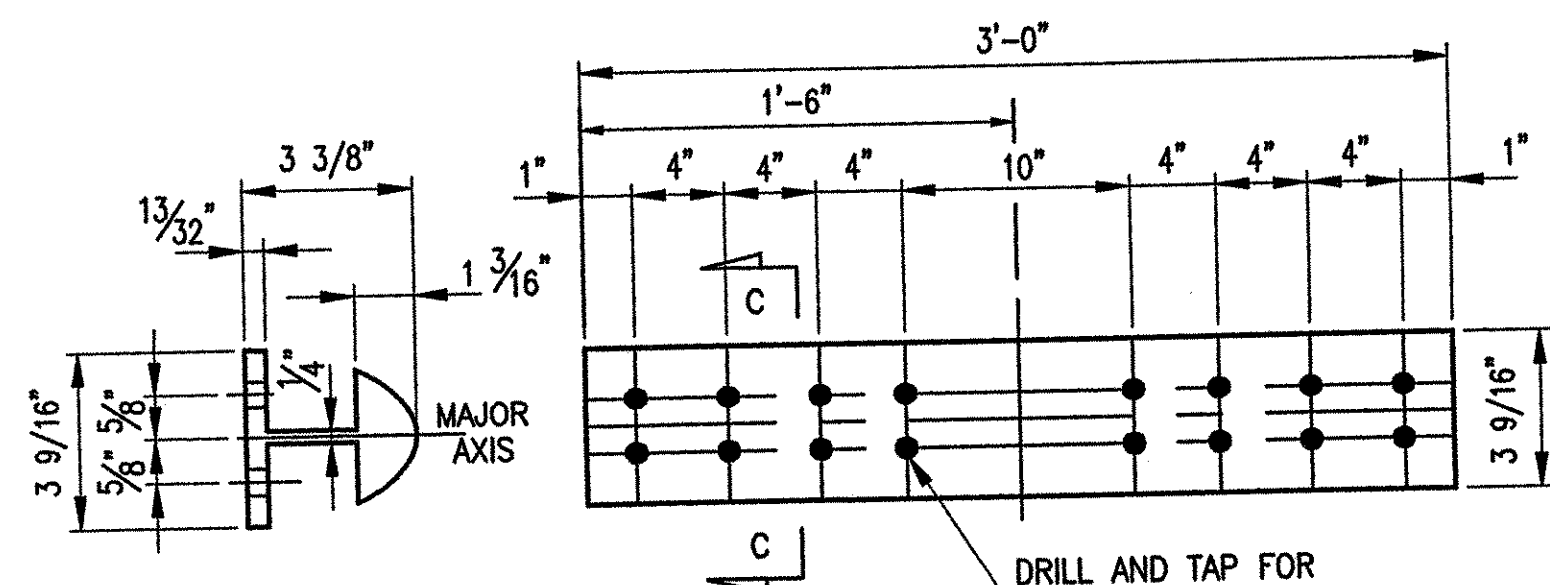
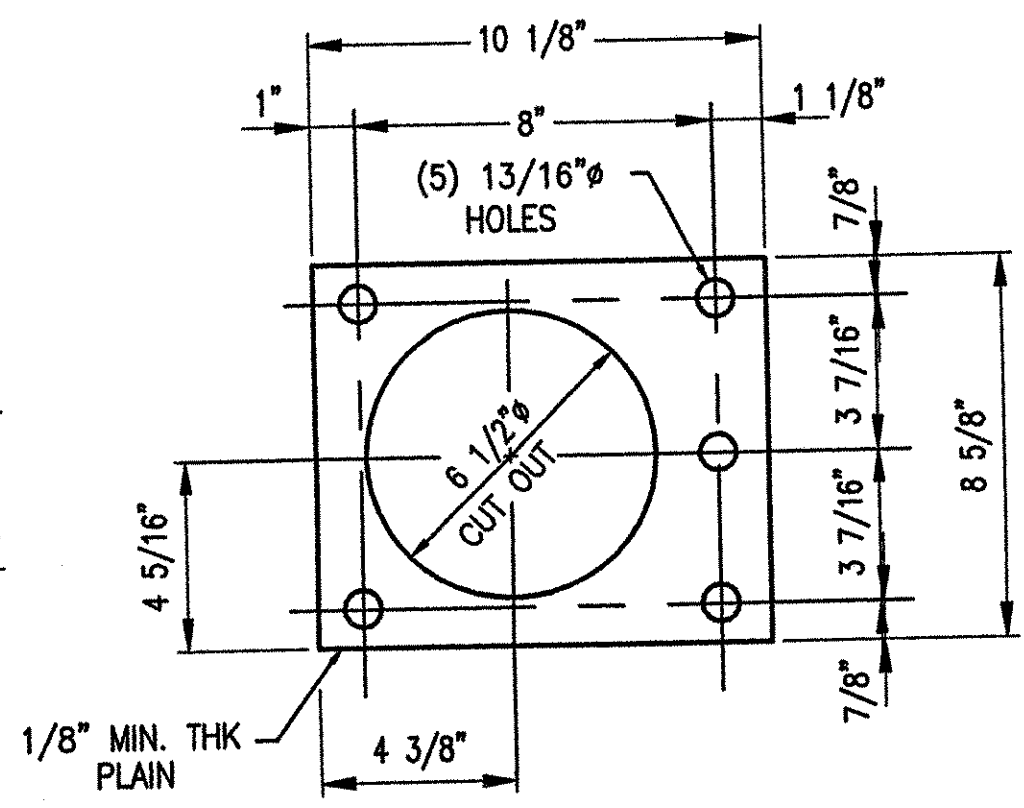


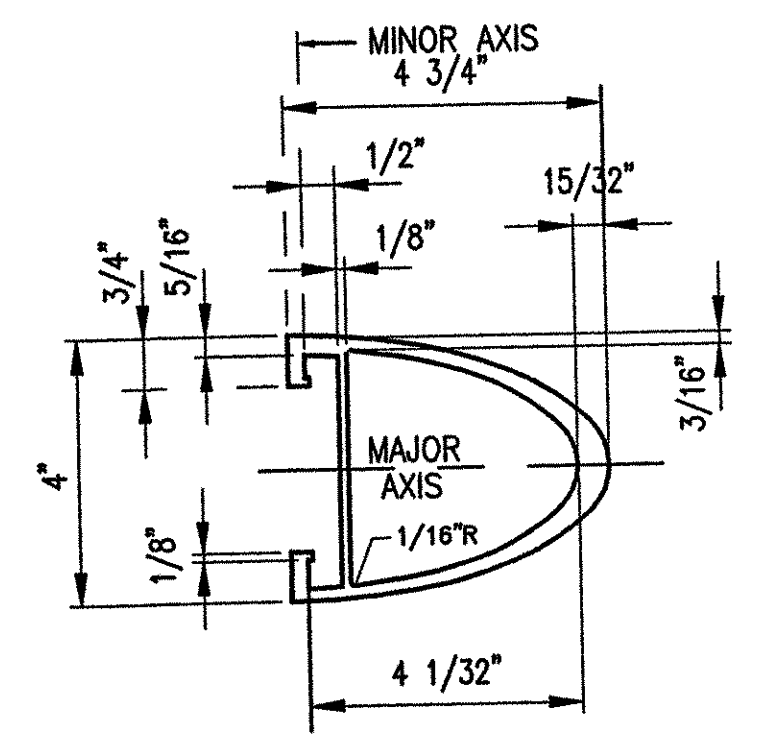
72 ~ REQ'D CLAMP BARS CB-03-A
#19447



6 ~ REQ'D SPLICES SS-03
#19501



18 ~ REQ'D ANCHOR PLATE AP1
#14520



TYPICAL SECTION THRU RAIL

GENERAL NOTES
ALL MATERIAL AND WORKMANSHIP SHALL BE IN ACCORDANCE WITH VERMONT AGENCY OF TRANSPORTATION STANDARD SPECIFICATIONS FOR CONSTRUCTION DATED 2001 AND ITS LATEST REVISIONS.

DESCRIPTION	ASTM	ALLOY/GR.	REMARKS
RAILS, POSTS, BASES, SPLICES, CLAMP BARS, PINS, & BALUSTER FRAMES	B221	6061-T6 OR 6351-T5	MIN. YIELD STRENGTH $F_y = 35,000$ psi.
RIVETS	B316	6061-T6	BUTTON HD., CONE PT.
SET SCREWS FOR BALUSTERS	F880	TYPE 303	
STAINLESS STEEL BOLTS	A193	GRADE B8	
ANCHOR RODS	A449		GALV. A153
STNL. STEEL HEX NUTS	A194	GRADE 8	TENSILE STRENGTH OF 75,000 PSI
STEEL HEX. NUTS	A563	GRADE DH	GALV. A153
STEEL WASHERS	F436		GALV. A153
ANCHOR PLATES	A569		COMMERCIAL QUALITY (PLAIN)
ALUMINUM WASHERS	B209	2024-T4	ALCLAD
PREFORMED PADS			SECTION 731.01 OR 731.02
ELECTRODES FOR WELDING		AWS A5.10	ER5356

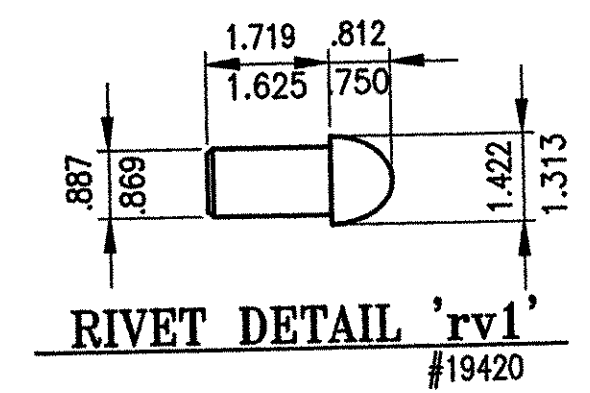
POSTS TO BE NORMAL TO GRADE AND RAILS SHALL BE PARALLEL TO GRADE. RAILS TO BE ATTACHED TO A MINIMUM OF THREE POSTS WHEN POSSIBLE.

ALL RAILS AND WELDS TO BE FREE FROM ALL BURRS AND ROUGH EDGES. ENDS OF TUBE SECTIONS SHALL BE SAWED OR MILLED. GRIND ALL CUT EDGES SMOOTH.

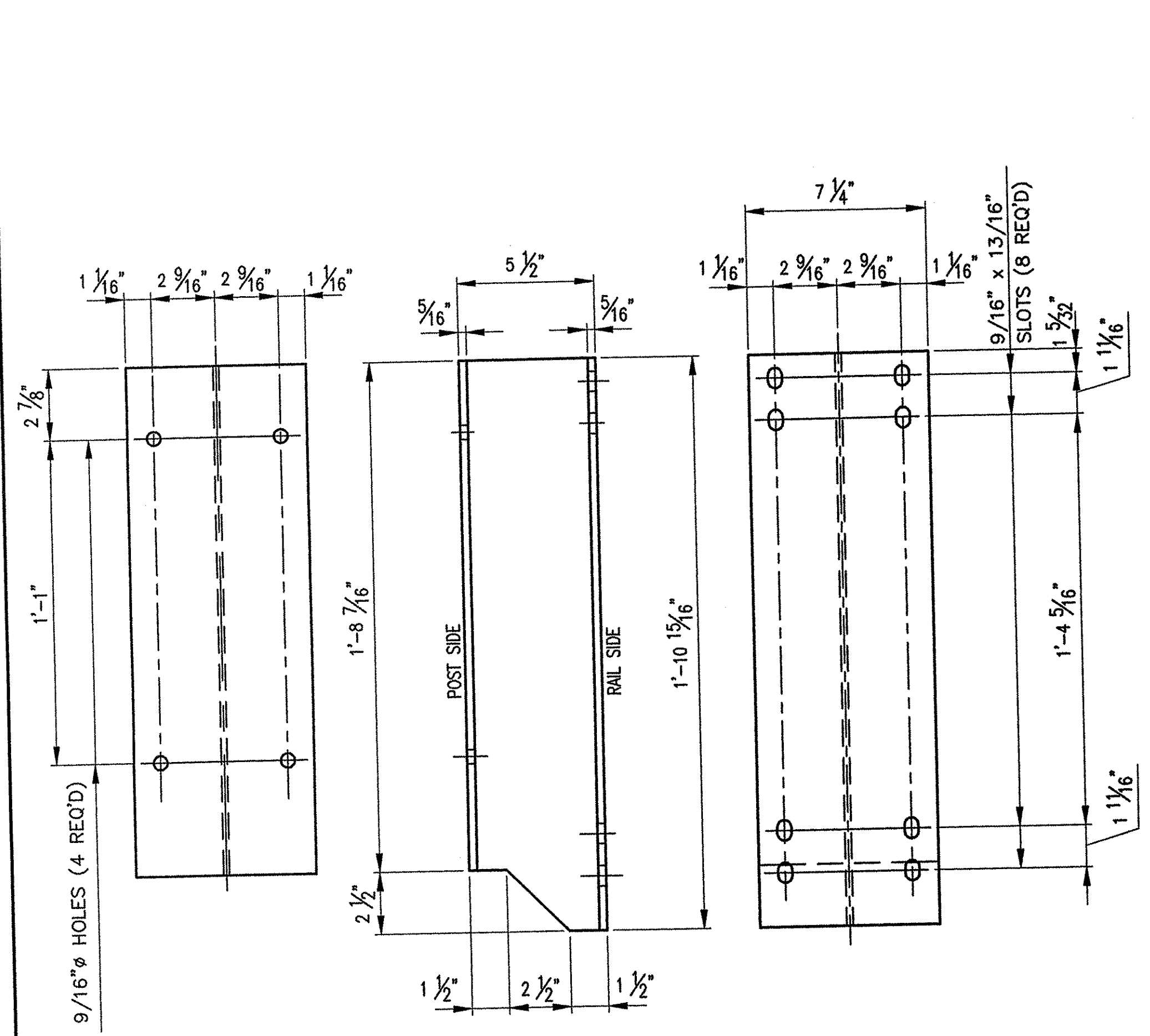
ALL THREADS TO BE UNC CLASS 2A/2B.

ALL EXTRUSION TOLERANCES NOT SHOWN SHALL BE IN ACCORDANCE WITH ASTM B221.

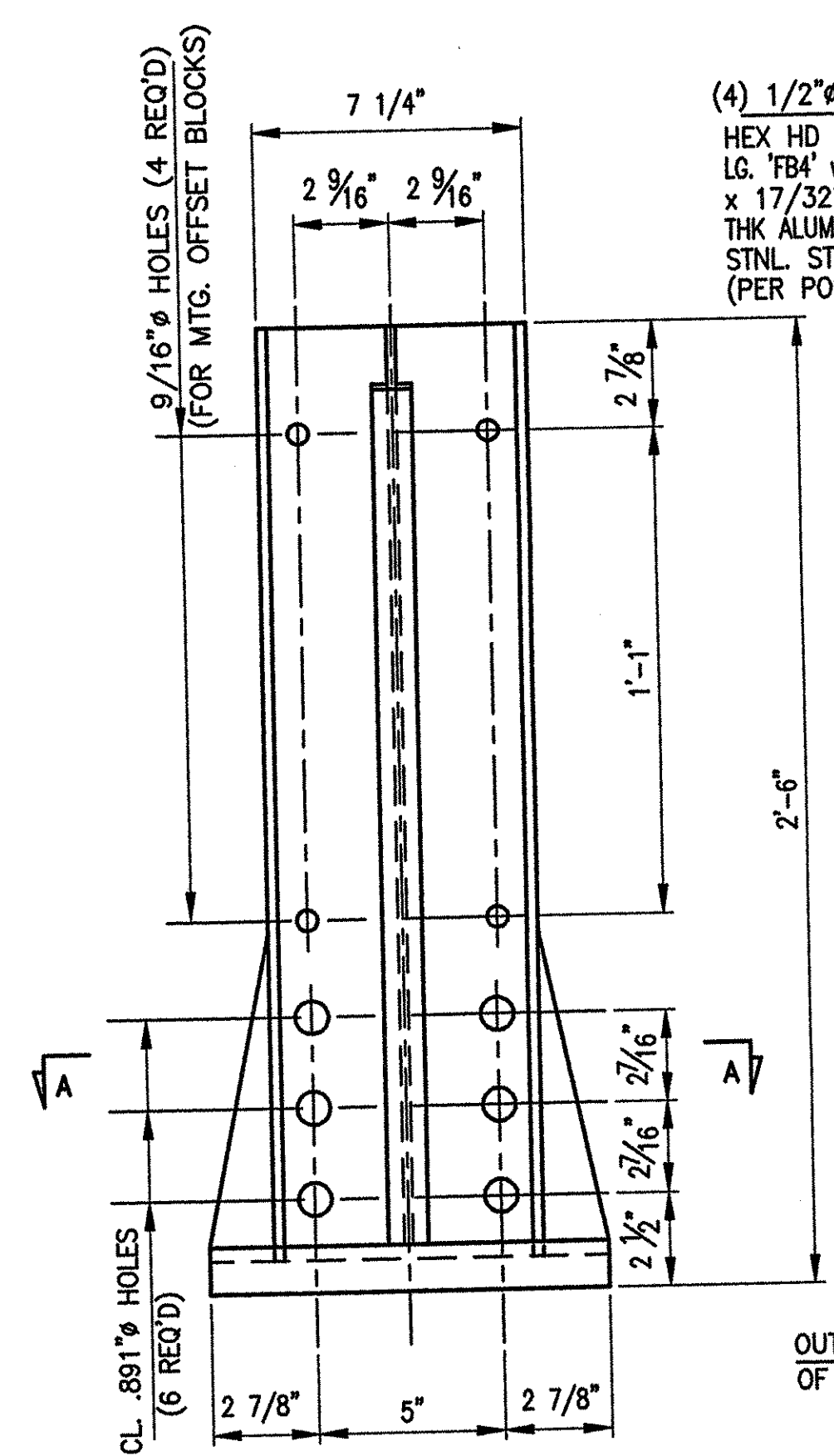
IF CUT THREADS ARE USED, BOLT DIAMETER SHALL NOT BE LESS THAN NOMINAL DIAMETER. IF ROLLED THREADS ARE USED, BOLT DIAMETER SHALL NOT BE LESS THAN THE ROOT DIAMETER OF THREADS.



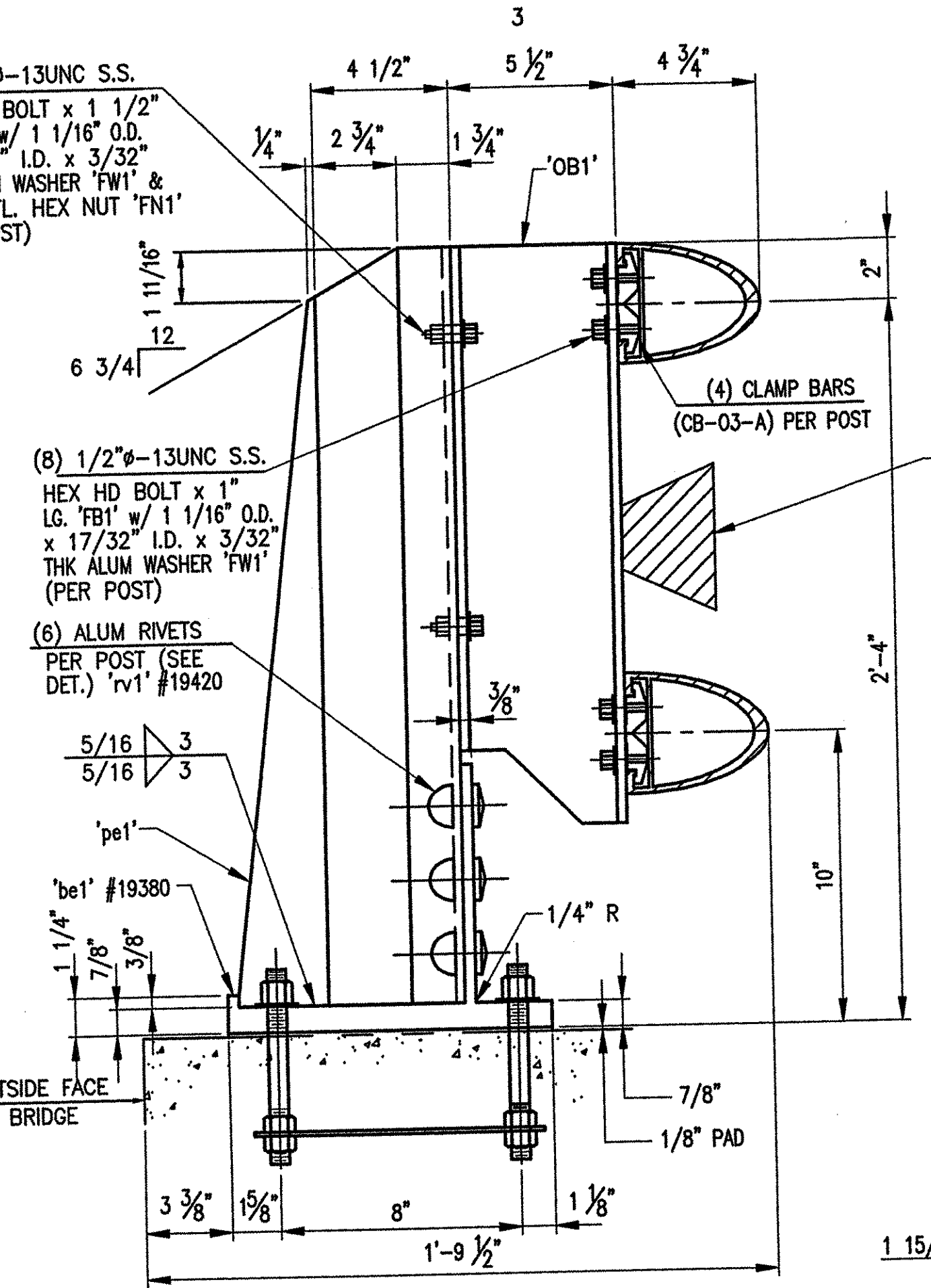
RIVET DETAIL 'rv1'
#19420



18 ~ REQ'D OFFSET BLOCK 'OB1'

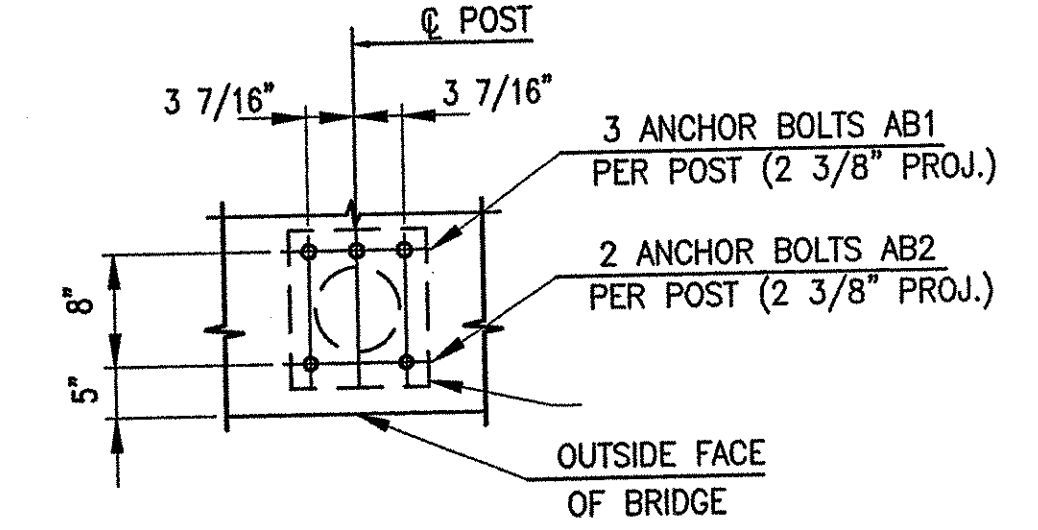


18 ~ REQ'D FABRICATED RAIL POSTS P1 (BRUSH CURB)

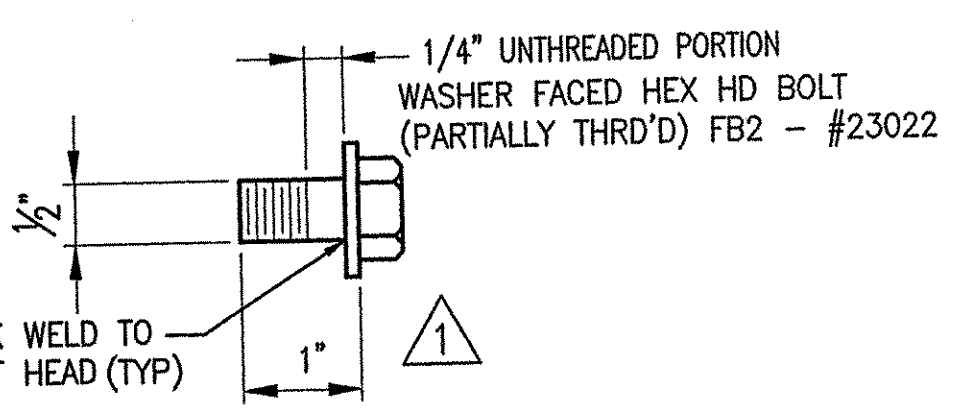
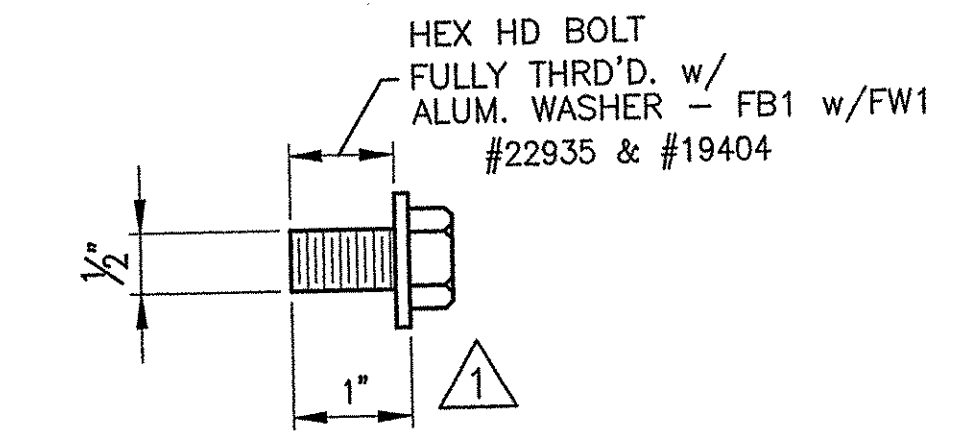


BRIDGE RAIL AND SPLICE BAR - ASSEMBLY DETAIL

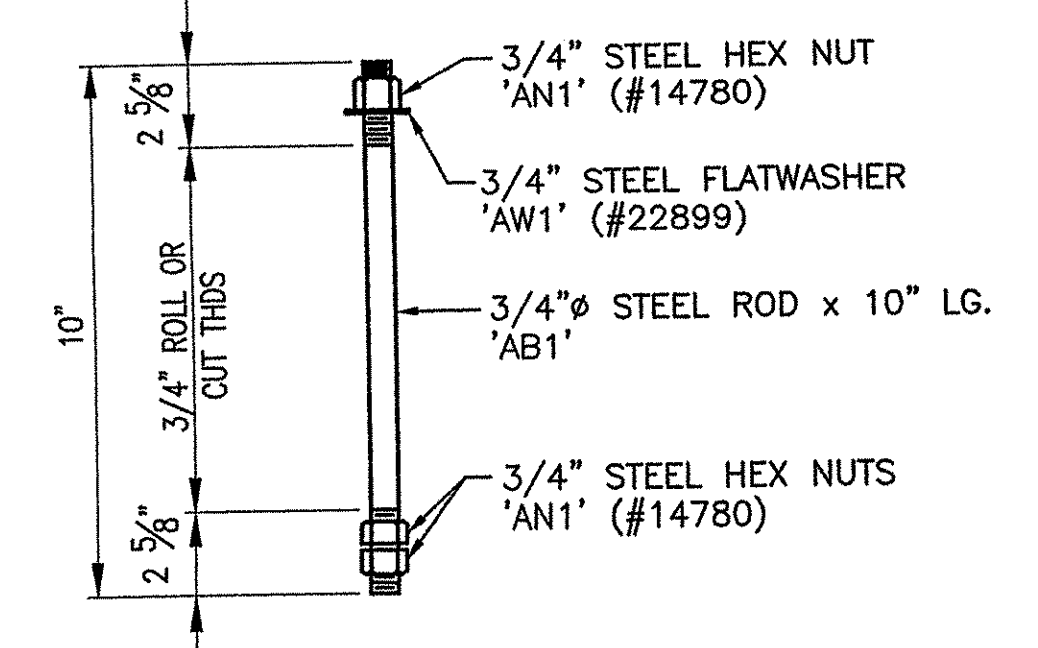
REFLECTOR UNIT (NOT BY L.B.FOSTER)



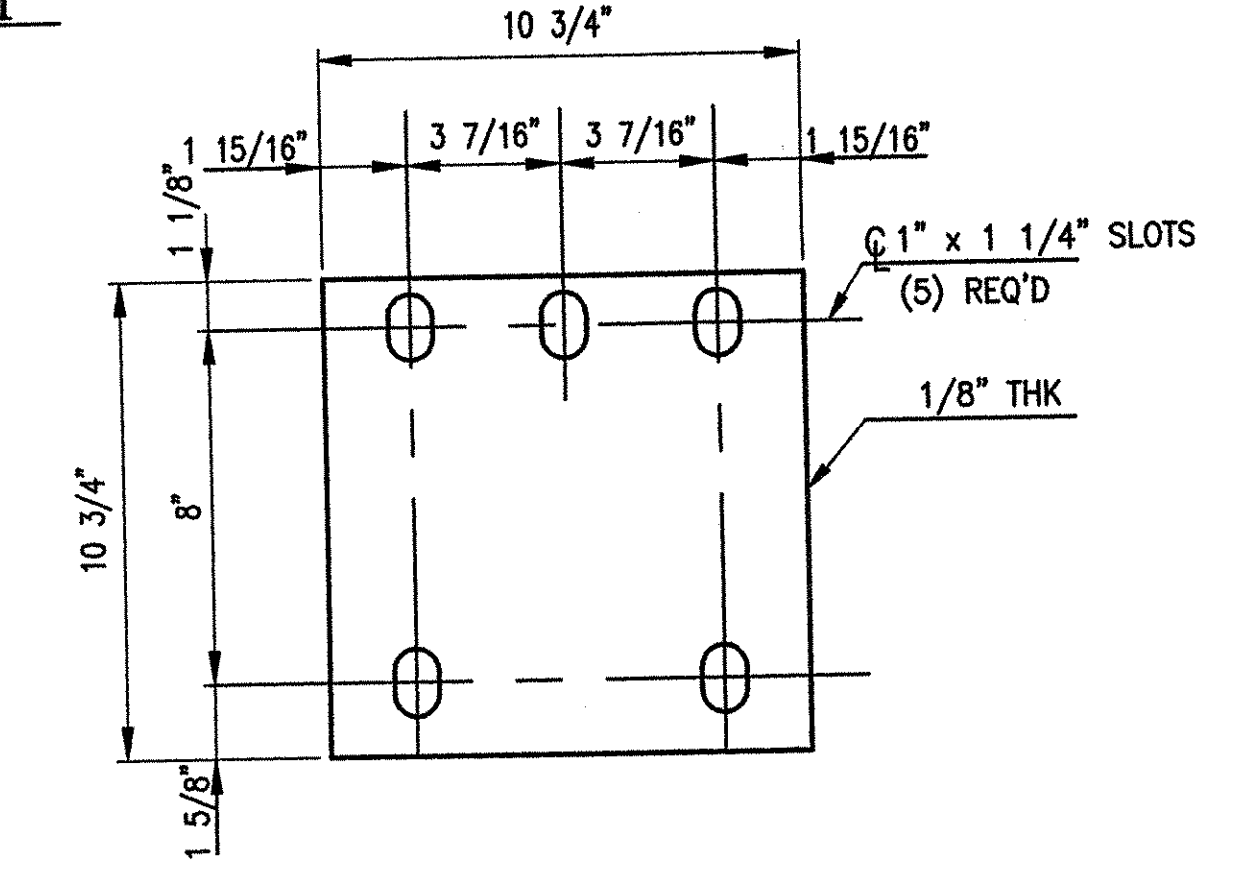
TYPICAL ANCHOR BOLT SETTING



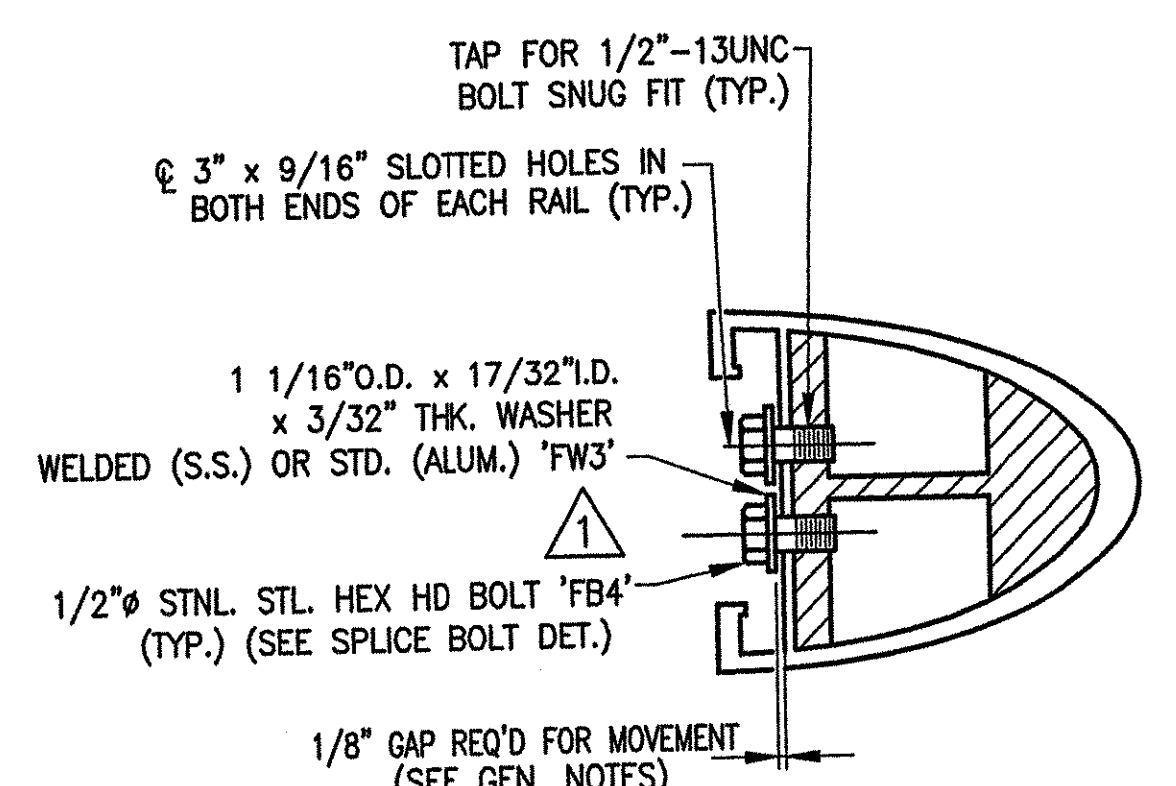
SPLICE BOLT DETAILS



90 ~ REQ'D ANCHOR BOLTS AB1



18 ~ REQ'D ELASTOMERIC PADS 'EP1'
#19220



BRIDGE No. 21
PROJECT No. BRS 0147(5)S

APPROVED: _____
DRAWING

L.B. FOSTER COMPANY
1016 GREENTREE ROAD
PITTSBURGH, PENNSYLVANIA 15220

FOR: BECK & BELLUCCI, INCORPORATED
VERMONT AGENCY OF TRANSPORTATION
TOWN OF ROYALTON, COUNTY OF WINDSOR
3-LINE SEMI-ELLIP. ALUM. BRIDGE RAIL FOR VT RTE 14
OVER THE WHITE RIVER - GENERAL NOTES AND TYP DETAILS

MADE CMS DATE 10/06/04. JOB No. ARO170. CUST. No. _____
CHECK AW DATE 10/21/04. DRAWING LBB. REV. No. ONE

REV.	DESCRIPTION	BY	DATE
1	REVISED PER APPROVER COMMENTS	CMS	12 21 04