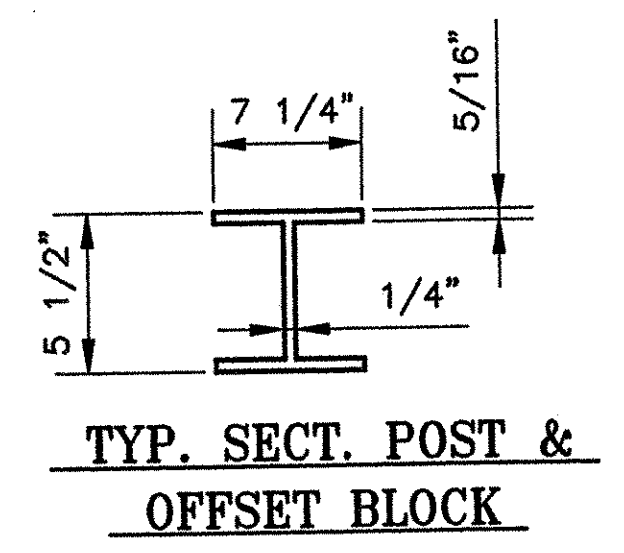
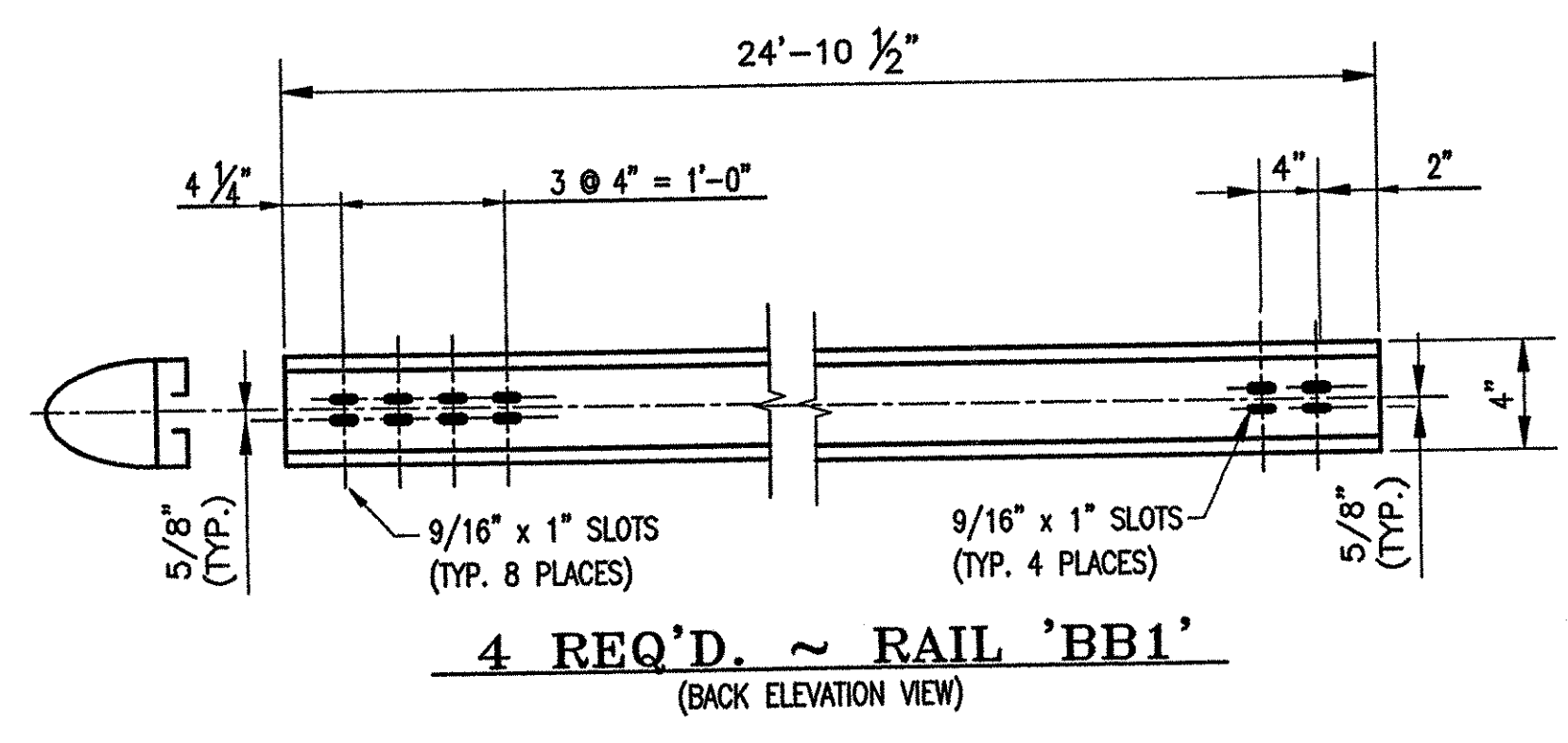
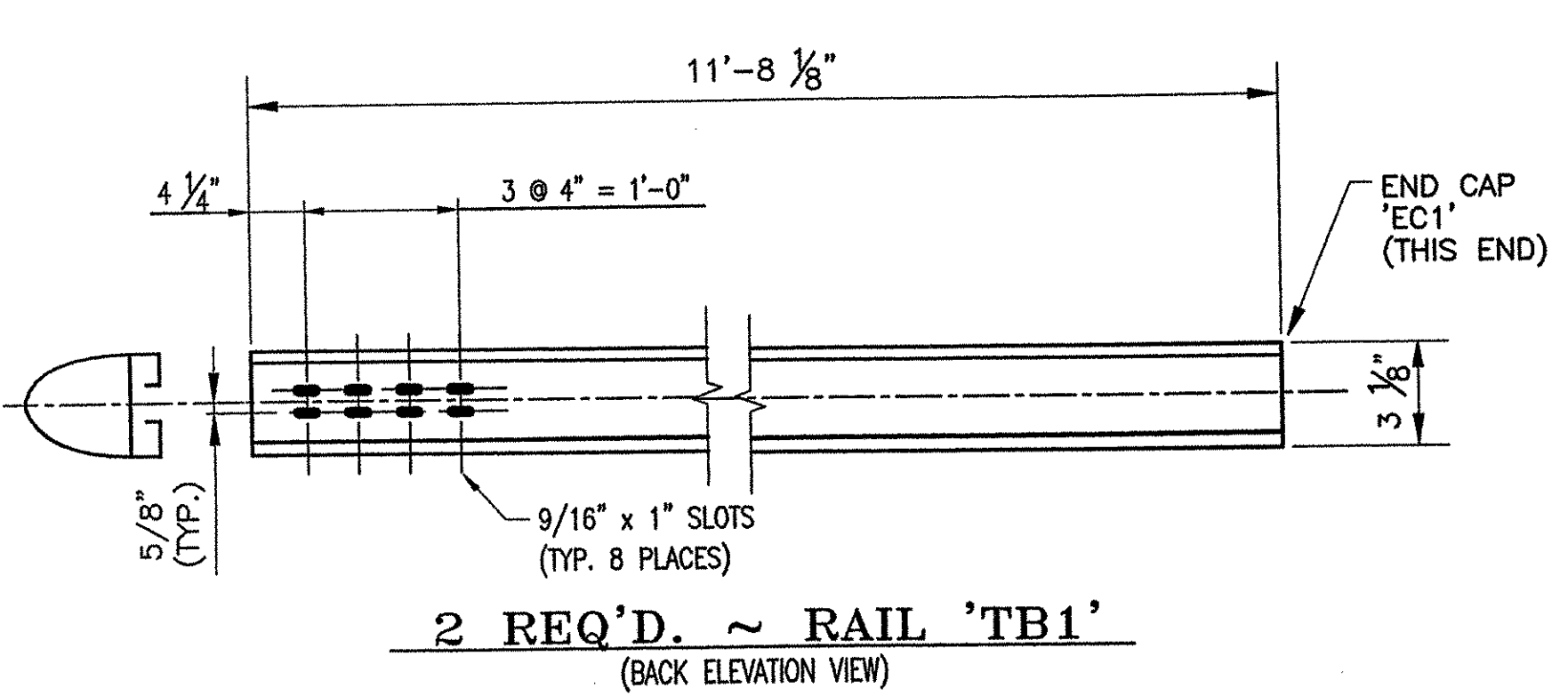


RAIL HEIGHT DIMENSIONS			OFFSET BLOCK DIMENSIONS						
POST No.	QTY.	A	B	C	OFFSET BLOCK No.	D	E	F	G
1 ^R	1	3'-4 3/4"	2'-5 3/4"	1'-5 3/16"	OB1 ^R	11 7/16"	1'-0 9/16"	2'-4 9/16"	---
2 ^R	1	3'-2 11/16"	2'-5 3/8"	1'-5 1/2"	OB2 ^R	9 3/4"	11 7/8"	2'-2 3/16"	---
3 ^R	1	3'-0 11/16"	2'-5"	1'-5 13/16"	OB3 ^R	8 1/8"	11 3/16"	1'-11 7/8"	---
4 ^R	1	2'-10 5/8"	2'-4 5/8"	1'-6 1/16"	OB4 ^R	6 7/16"	10 9/16"	1'-9 9/16"	---
5 ^R	1	---	2'-4 1/8"	1'-6 1/2"	OB5 ^R	---	9 5/8"	---	1'-2 5/8"
6 ^R	1	---	2'-3 5/8"	1'-6 7/16"	OB6 ^R	---	8 3/4"	---	1'-1 3/4"
7 ^R	1	---	2'-3 1/8"	1'-7 1/4"	OB7 ^R	---	7 7/8"	---	1'-0 7/8"



RAIL HEIGHT DIMENSIONS			OFFSET BLOCK DIMENSIONS						
POST No.	QTY.	A	B	C	OFFSET BLOCK No.	D	E	F	G
1 ^L	1	3'-4 3/4"	2'-5 3/4"	1'-5 3/16"	OB1 ^L	11 7/16"	1'-0 9/16"	2'-4 9/16"	---
2 ^L	1	3'-2 11/16"	2'-5 3/8"	1'-5 1/2"	OB2 ^L	9 3/4"	11 7/8"	2'-2 3/16"	---
3 ^L	1	3'-0 11/16"	2'-5"	1'-5 13/16"	OB3 ^L	8 1/8"	11 3/16"	1'-11 7/8"	---
4 ^L	1	2'-10 5/8"	2'-4 5/8"	1'-6 1/16"	OB4 ^L	6 7/16"	10 9/16"	1'-9 9/16"	---
5 ^L	1	---	2'-4 1/8"	1'-6 1/2"	OB5 ^L	---	9 5/8"	---	1'-2 5/8"
6 ^L	1	---	2'-3 5/8"	1'-6 7/16"	OB6 ^L	---	8 3/4"	---	1'-1 3/4"
7 ^L	1	---	2'-3 1/8"	1'-7 1/4"	OB7 ^L	---	7 7/8"	---	1'-0 7/8"



RECEIVED
 JAN 12 2005
 APPROVED: _____
 DATE _____

BRIDGE No. 21
 PROJ. No: BRS 0147(5)S
 ITEM No. N021525.23

APPROVED: _____
 REC'D APPROVAL _____
 DRAWING _____

L.B. FOSTER COMPANY
 1016 GREENTREE ROAD
 PITTSBURGH, PENNSYLVANIA 15220

FOR: BECK & BELLUCCI, INCORPORATED
 VERMONT AGENCY OF TRANSPORTATION
 TOWN OF ROYALTON, COUNTY OF WINDSOR
 BRIDGE APPROACH RAILING FOR VT RTE 14 OVER WHITE RIVER
 POST DETAILS & RAIL DETAILS

MADE CMS. DATE 10/04/04 JOB No. AR0170 CUST. No. _____
 CHECK AW DATE 10/21/04 DRAWING LBG REV. No. _____

REV.	DESCRIPTION	BY	DATE