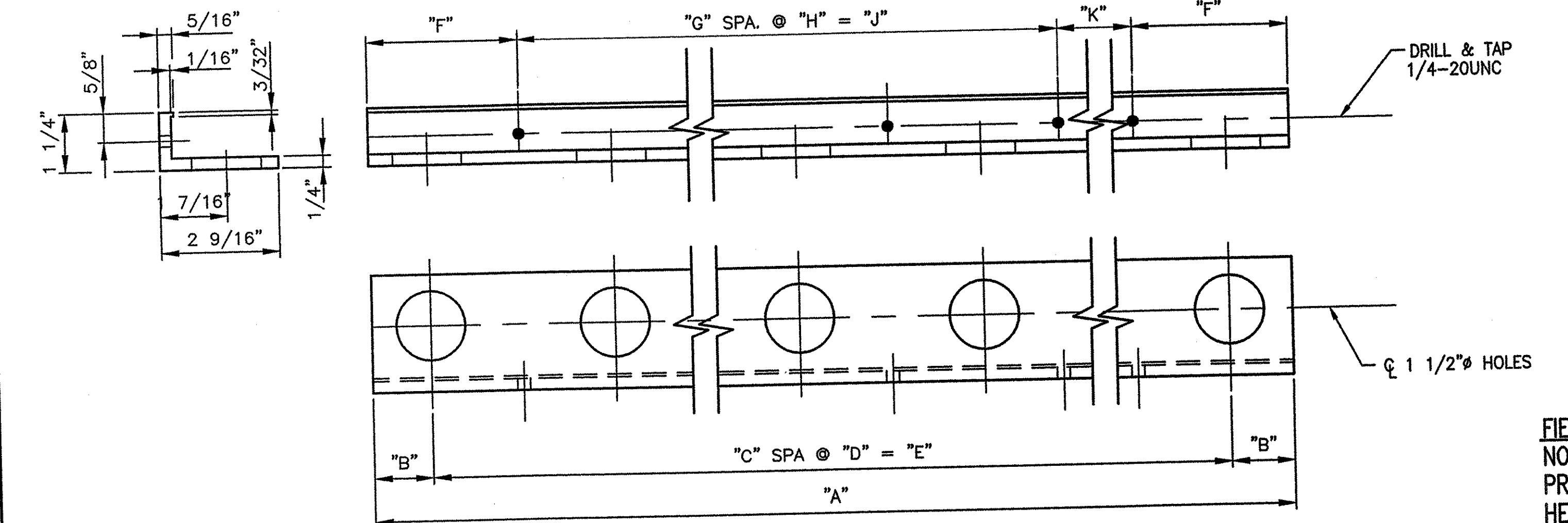


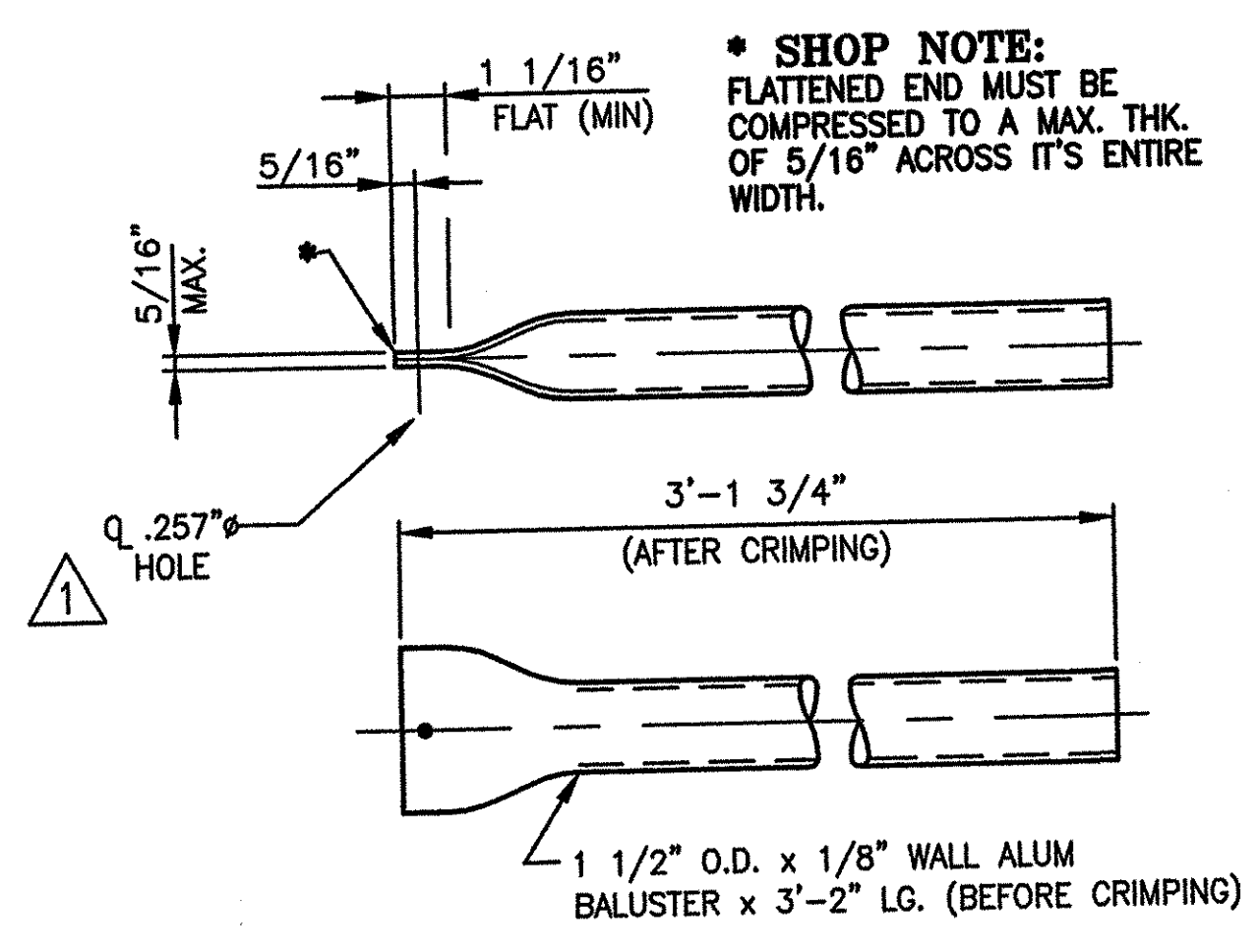
TOP BALUSTER BARS ~ tb
(SEE CHART FOR DIMS)



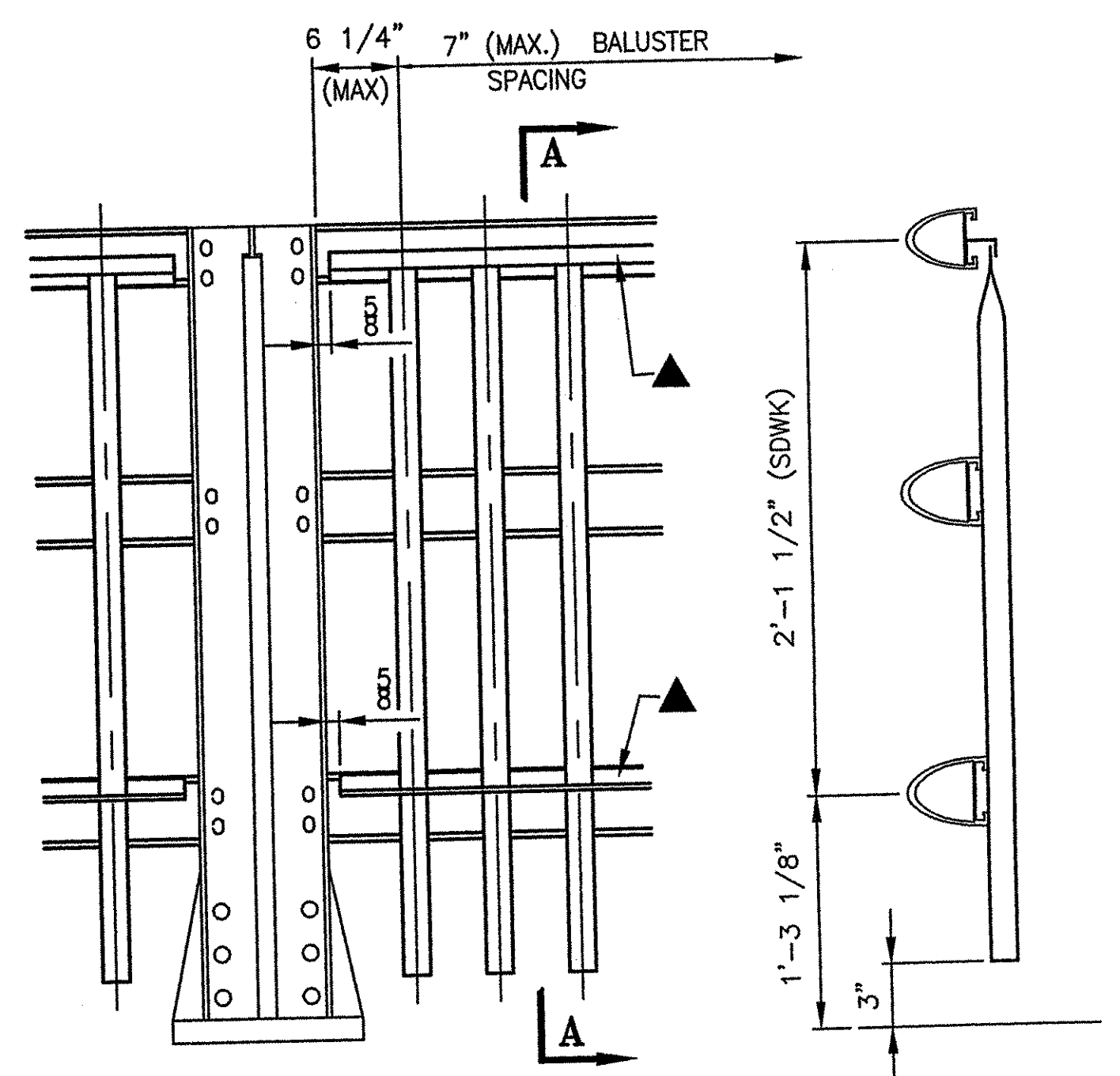
BOTTOM BALUSTER BARS ~ bb
(SEE CHART FOR DIMS)

FIELD NOTE:
NOTCH BALUSTER PANELS TO PROVIDE CLEARANCE FOR BOLT HEADS USED IN SPLICE BARS (TYP.)

MARK	QTY	"A"	"B"	"C"	"D"	"E"	"F"	"G"	"H"	"J"	"K"	PANEL ASSY.
tb1	2	5'-5 1/2"	4 3/4"	8	7"	4'-8"	8 1/4"	3	1'-2"	3'-6"	7"	BP1
bb1												
tb2	19	7'-1 1/2"	4 1/4"	11	7"	6'-5"	7 3/4"	5	1'-2"	5'-10"	-	BP2
bb2												



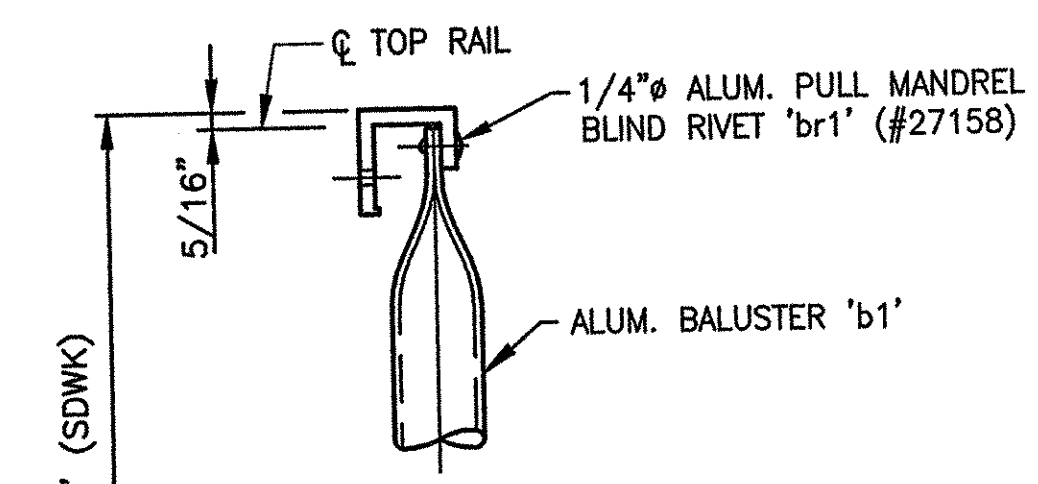
246 ~ REQ'D BALUSTERS 'b1'
#19451



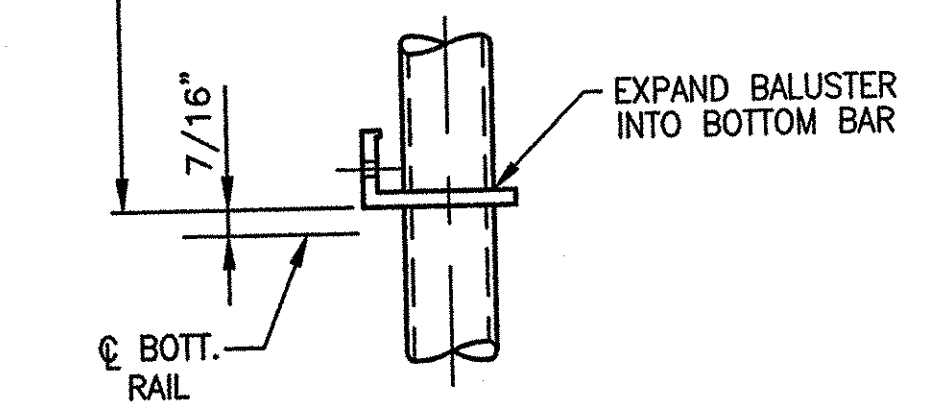
TYPICAL ELEVATION
▲ 1/4"-20UNC S.S. SOCKET SET SCREW x 1/2" - 'SS1' (#22079) EVERY OTHER SPACE BETWEEN BALUSTERS IF POSSIBLE

SECTION A-A

VT
RECEIVED
OK'D BY: *Gran* OK'D BY: _____
JAN 12 2005
RESUBMIT _____ APPROVED _____
BY _____ DATE _____

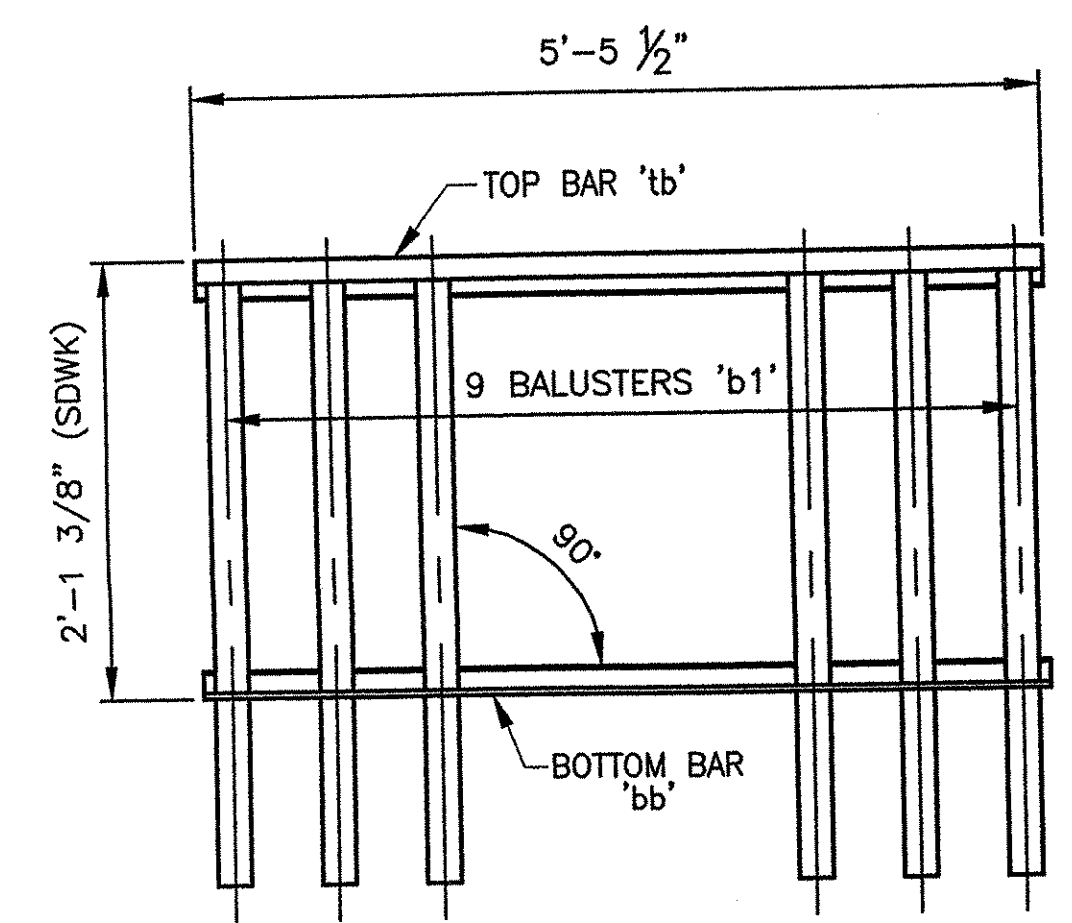


DETAIL "A"
(TYP. BALUSTER ATTACHMENT TO TOP BAR)

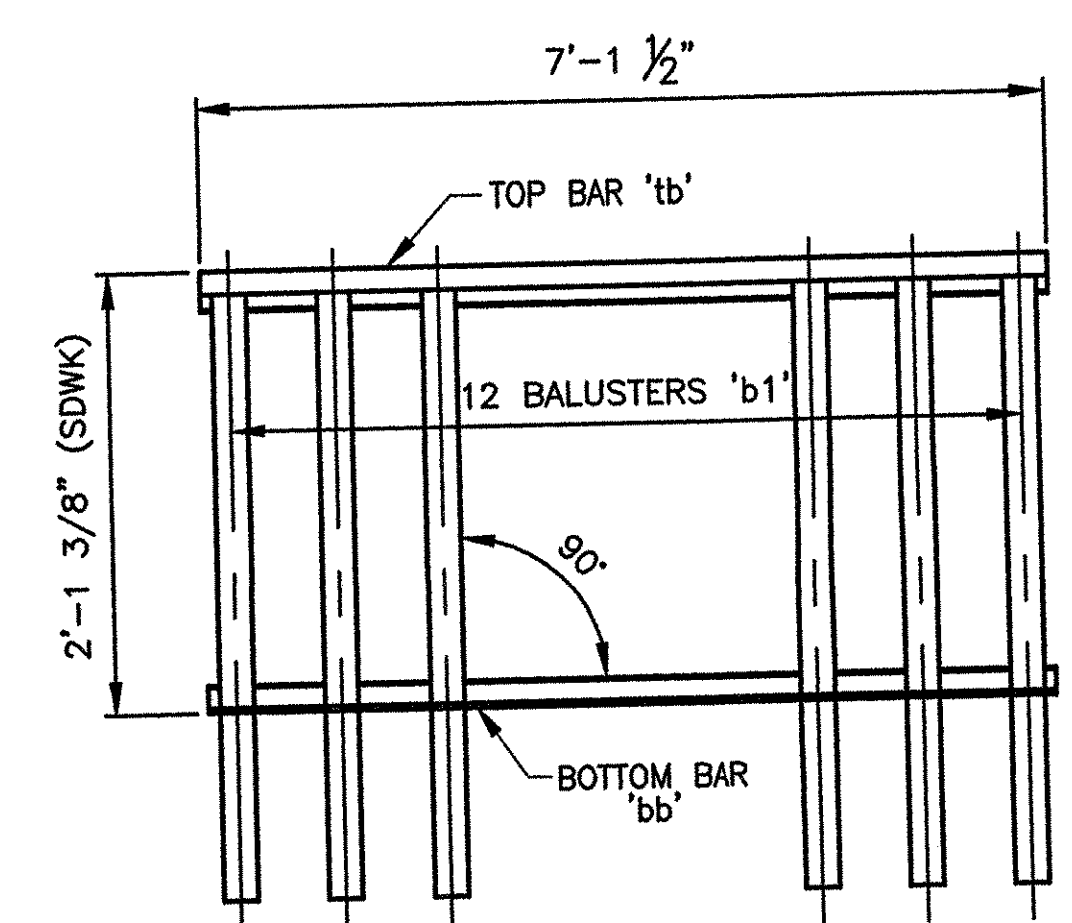


DETAIL "B"
(TYP. BALUSTER ATTACHMENT TO BOTTOM BAR)

NOTE: FOR GEN. NOTES AND TYP. DETAILS SEE DWG LB1 FOR RAILING ELEVATION SEE DWG LB2



2 REQ'D. ~ BALUSTER PANEL ASSEMBLY 'BP1'



19 REQ'D ~ BALUSTER PANEL ASSEMBLY 'BP2'

1	REVISED PER APPROVER COMMENTS	CMS	12/21/01
REV.	DESCRIPTION	BY	DATE

BRIDGE No. 21
PROJECT No. BRS 0147(5)S
ITEM No. 525.23

APPROVED: _____ REC'D APPROVAL _____
DRAWING _____

L.B. FOSTER COMPANY
1016 GREENTREE ROAD
PITTSBURGH, PENNSYLVANIA 15220

FOR: BECK & BELLUCCI, INCORPORATED
VERMONT AGENCY OF TRANSPORTATION
TOWN OF ROYALTON, COUNTY OF WINDSOR
BRIDGE RAILING FOR VT RTE 14 OVER WHITE RIVER
3-LINE ALUM BRIDGE RAIL ~ BALUSTER PANEL DETAILS

MADE CMS DATE 09/29/04 JOB No. AR0170 CUST. No. _____
CHECK AW DATE 10/21/04 DRAWING LB3 REV. No. ONE