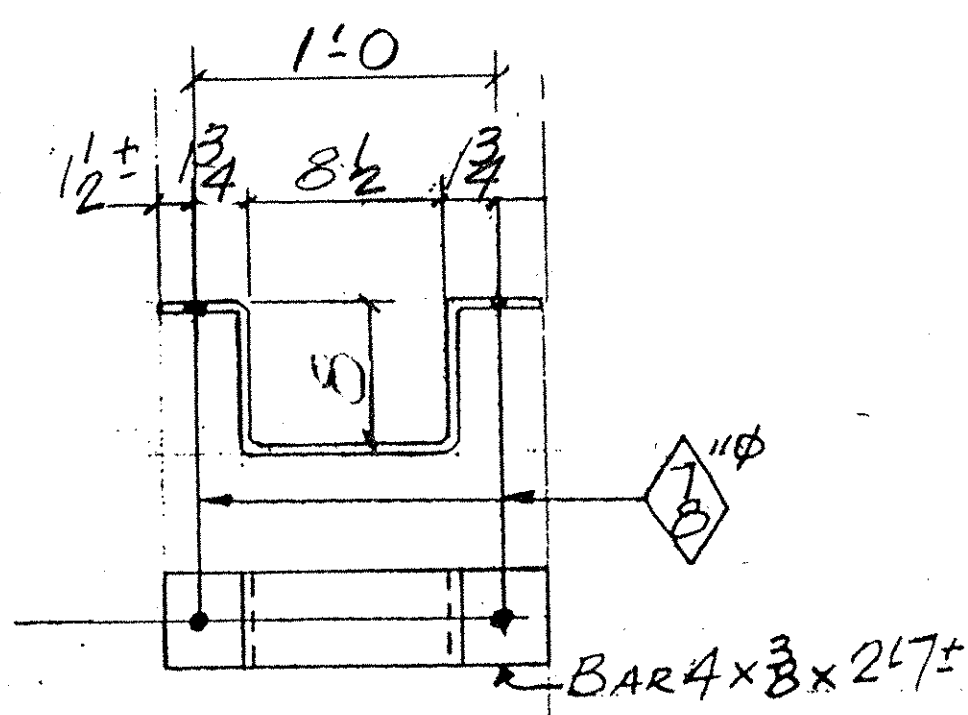


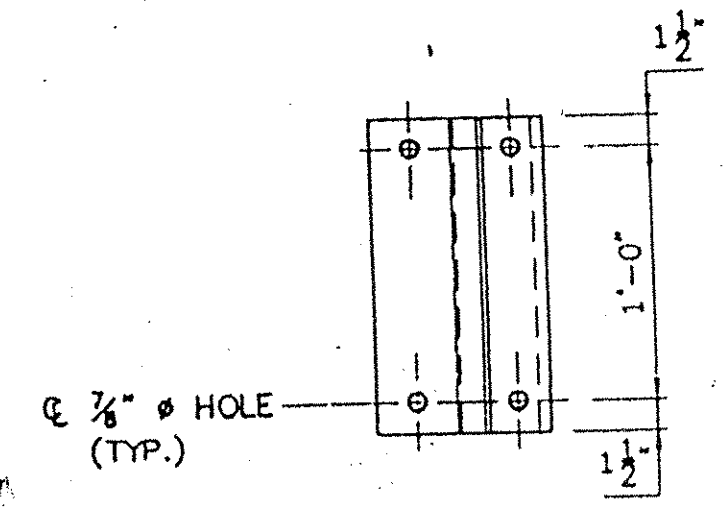
ABM INFO		SHOP BILL				JOB NO.	DRG. NO.		
PAGE	LINE	NO.	DESCRIPTION	FT	IN	ASSEM MARK	SHIPPING MARK	REMARKS	WEIGHT
	1		TS 8x8x4	7	0 1/2	DS-1	ASSEMBLY		
	1		DO	7	0 1/2	DS-6	DO		
	4		BAR 4x3/8	2	7 1/2	SAI	BEND		
	2		R 3/8x1/4	1	3	SB1	BEND		
	8		3/4" THRD ROD		9	TAI			
	8		3/4" HEX NUTS						
	8		3/4" WASHERS						
	4		3/4" H. S. BOLTS		2			1/4" NUT & WASHER	

PAY ITEM 506.55

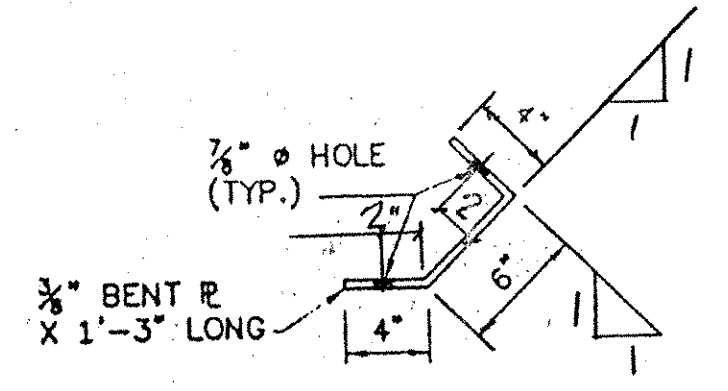
OUT FOR APPROVAL	1-19-05										
ISSUED TO SHOP	4-6-05										
FIELD & OFFICE											
Approval Common 3/29/05											
REV.	REMARKS	DATE	OWN	CHK	APP	Q.A.	NO.	DIA.	LGT	TYPE	WASHER
PROJECT NO. BRS-0147(5) STATE PROJECT NO. 21											
MATERIAL: A36/GR30 ELECTRODES: PER HOLES: AS NOTED SHOP BOLTS: 300											
SURFACE PREP. & PAINT: GALV. AFTER FAB (ASTM-A123) HARDWARE (ASTM-A153) M16-GALV.											
DESCRIPTION:	DOWNSPOUTS - ABUT. NO. 1	DRAWN BY:	JPF	DATE:	1-05						
JOB:	VT. RT. 14 OVER FIRST BRANCH OF WHITE RIVER ROYALTON, VT.	CHKD BY:	EJ.	APPROV BY:							
CUSTOMER:	BECK & BELLUCCI	Q.A.									
CASCO BAY STEEL STRUCTURES, INC.		JOB NO.	250	DRG. NO.	M1						
75 SPRING HILL ROAD SAGO, MAINE 04072		PHONE	(207) 282-7360	FAX:	(207) 282-1179	REV.					



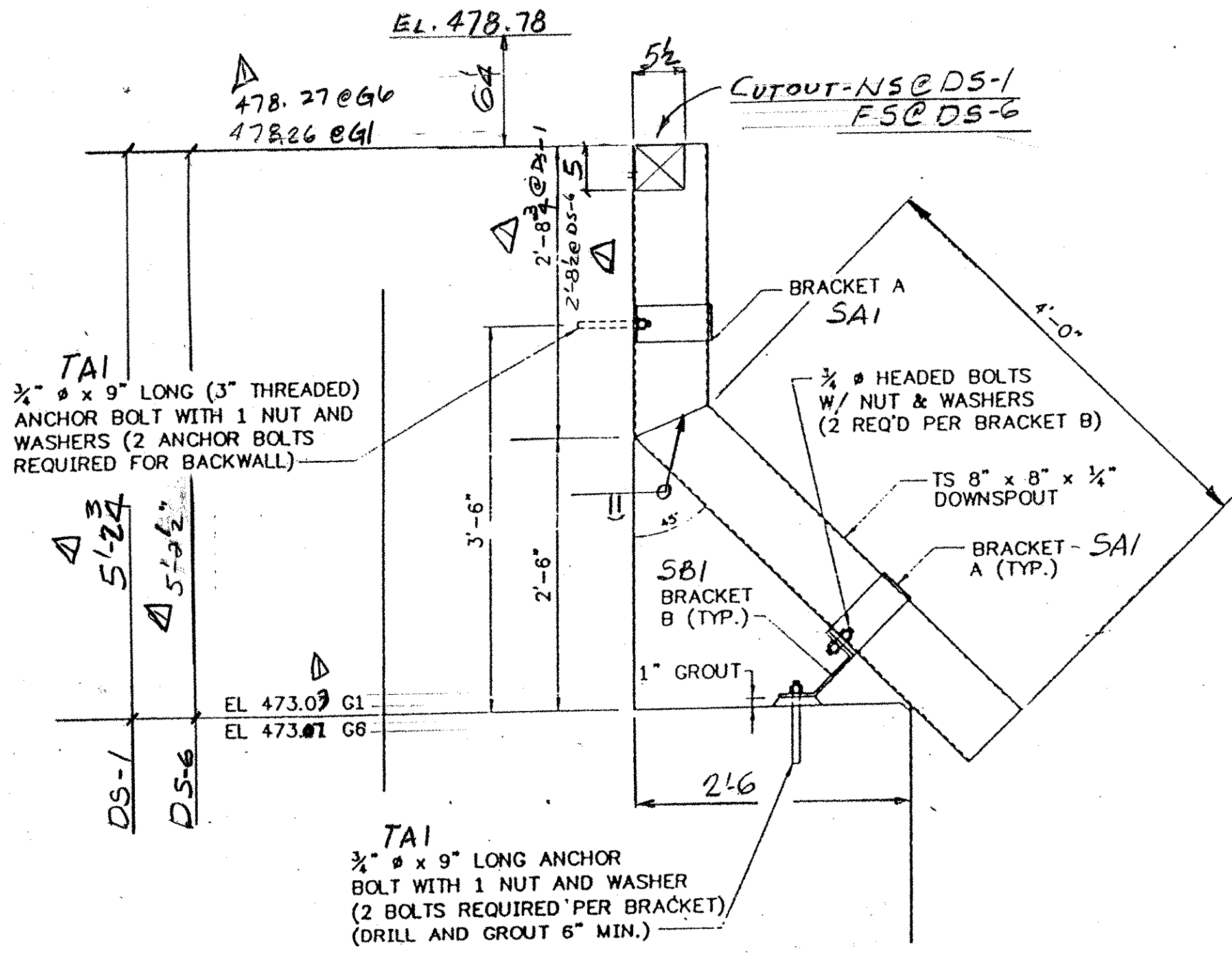
SAI-4-REQ'D



PLAN VIEW OF BRACKET=SB1



BRACKET SB1-2-REQ'D



ONE - DS-1 (@ GIRDER G1)  
ONE - DS-6 (@ GIRDER G6)