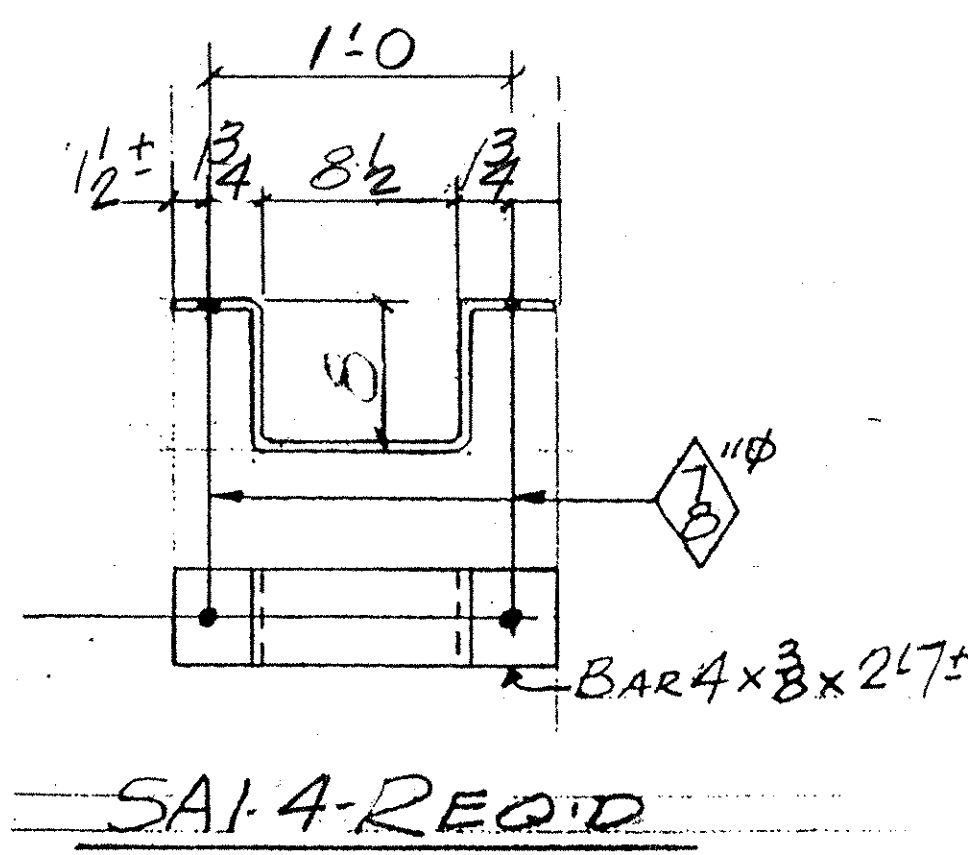
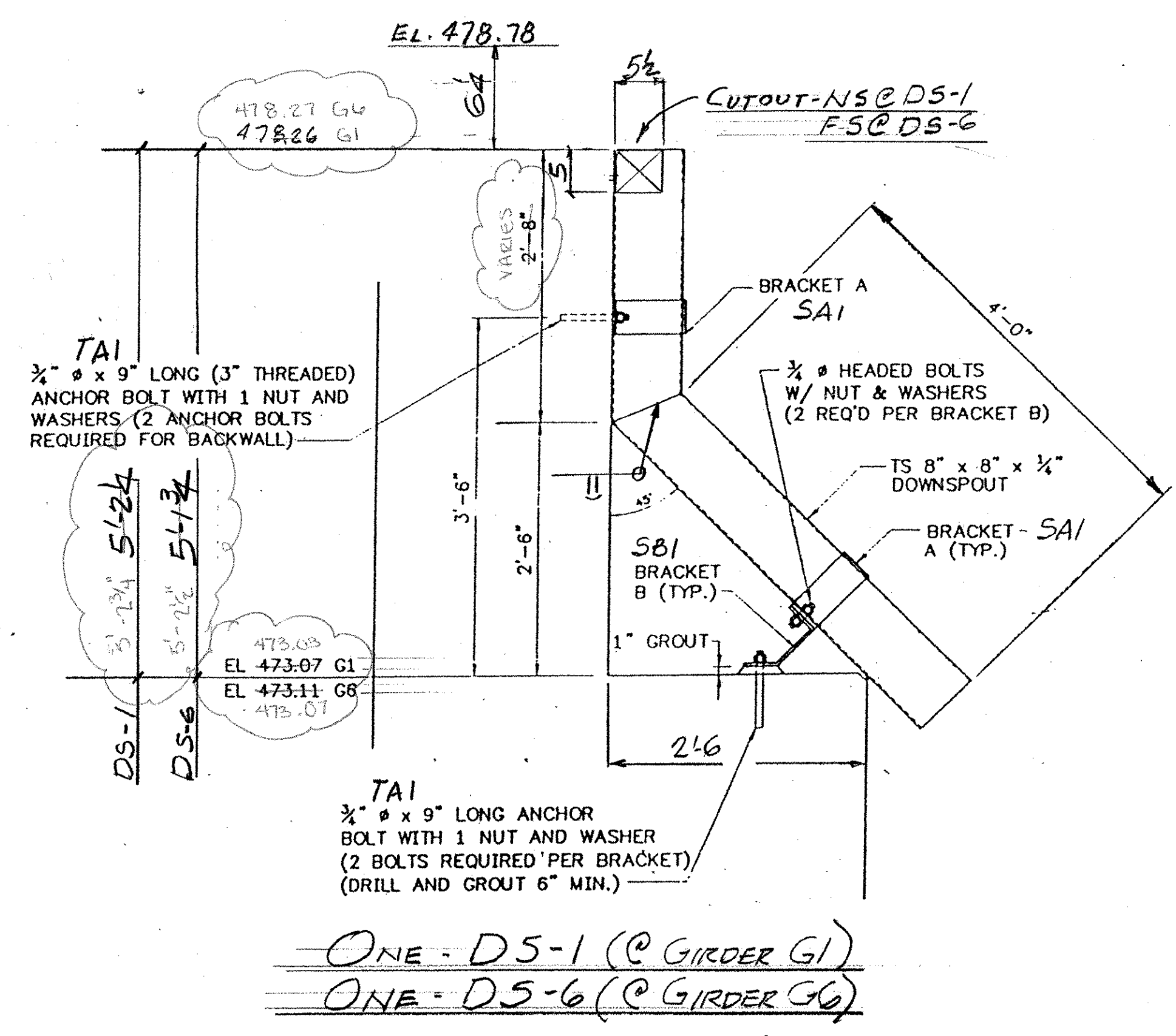


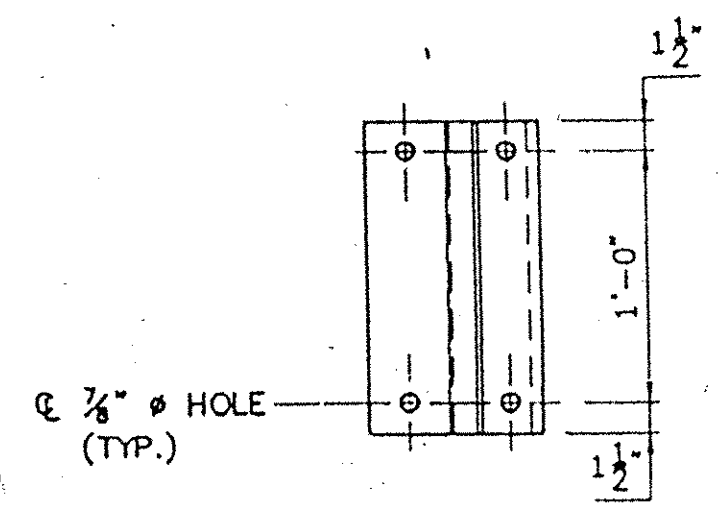
ABM INFO		SHOP BILL				JOB NO. 250	DRG. NO. M1		
PAGE	LINE	NO.	DESCRIPTION	FT	IN	ASSEM. MARK	SHIPPING MARK	REMARKS	WEIGHT
	1		TS 8x8x4	7.0		DS-1	ASSEMBLED		
	1		DO	7.0		DS-6	DO		
	4		BAR 4x3/8	2.7		SAI	BEND		
	2		1/2x3x14	1.3		SBI	BEND		
	8		3/4" THRD ROD	9		TAI			
	8		3/4" HEX NUTS						
	8		3/4" WASHERS						
	4		3/4" H.S. BOLTS	2				1/4" NUT & WASHER	
PAY ITEM 506.55									



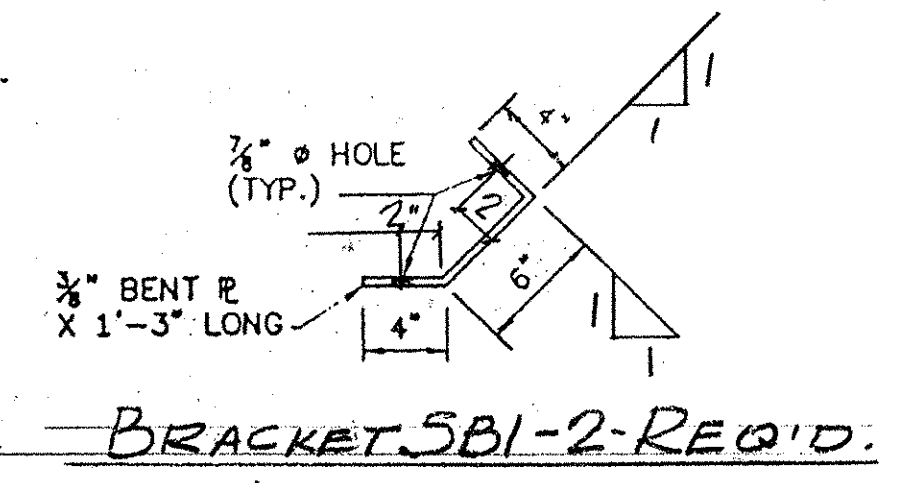
SAI-4-REQ'D



ONE - DS-1 (@ GIRDER G1)
ONE - DS-6 (@ GIRDER G6)



PLAN VIEW OF BRACKET-SBI



BRACKET SBI-2-REQ'D

OUT FOR APPROVAL	1-19-05										
ISSUED TO SHOP											
FIELD & OFFICE											
REV.	REMARKS	DATE	DWN	CHK	APP	Q.A.	NO.	DIA.	LGT	TYPE	WASHER
	PROJECT NO. BRS-0147(5)5	STATE PROJECT NO. 21									
	MATERIAL: A572-50 GR36	ELECTRODES: PER SPEC.									SHOP BOLTS: 3/4\"/>
	SURFACE PREP. & PAINT: GALV. AFTER FAB (ASTM-A123) HARDWARE (ASTM-A153)										
	DESCRIPTION: DOWNSPOUTS-ABUT. NO. 1	DATE									
	JOB: VT. RT. 14 OVER FIRST BRANCH OF WHITE RIVER ROYALTON, VT.	DATE	JPF								1-05
			CHKD BY								EJ.
			APPROV BY								
											Q.A.
	CUSTOMER: DECK & BELLUCCI										
	CASCO BAY STEEL STRUCTURES, INC.	JOB NO. 250	DRG. NO. M1								
	75 SPRING HILL ROAD SACO, MAINE 04072	PHONE (207) 282-7360	FAX (207) 282-1179								REV. Δ

VTTRANS RECEIVED
CR'D BY JWC OK'D BY
FEB 04 2005
RESUBMIT APPROVED AS NOTED
BY DATE 2/2/2005