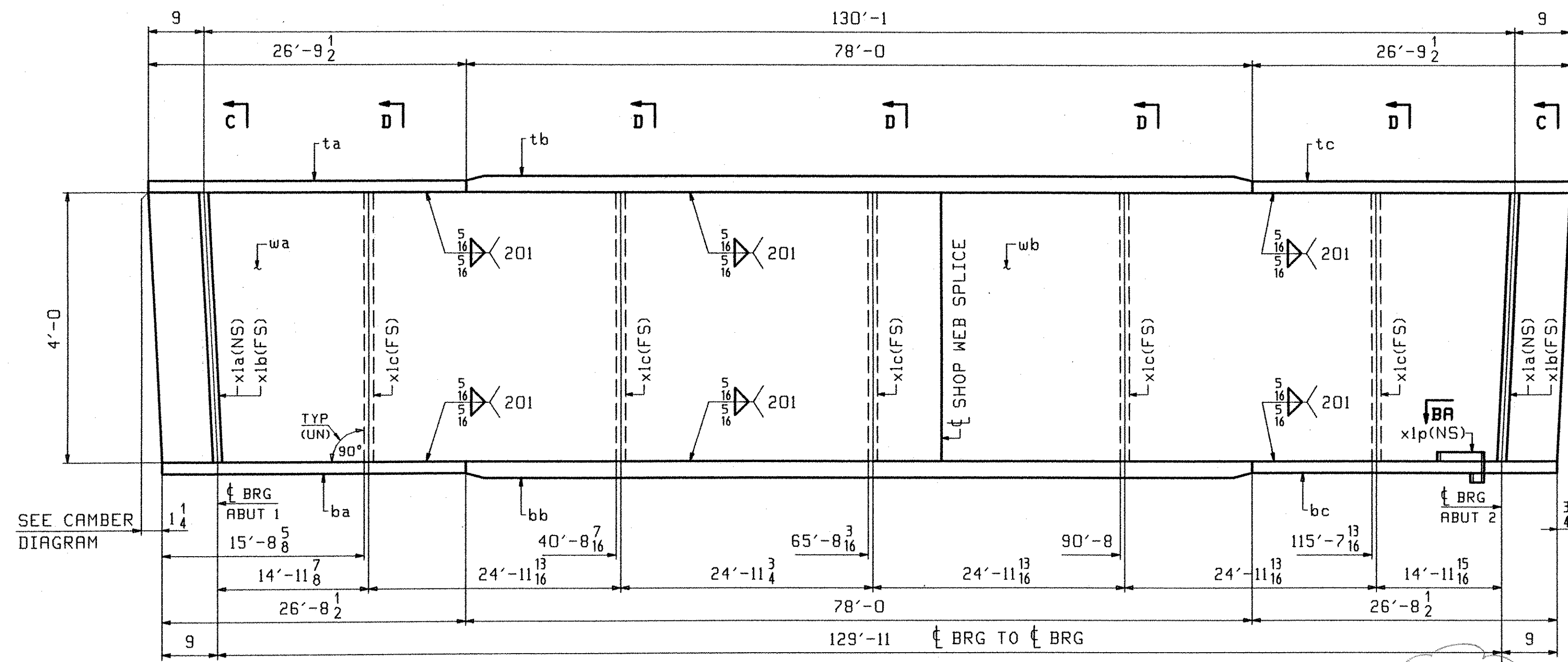


ONE - GIRDER - 3G5

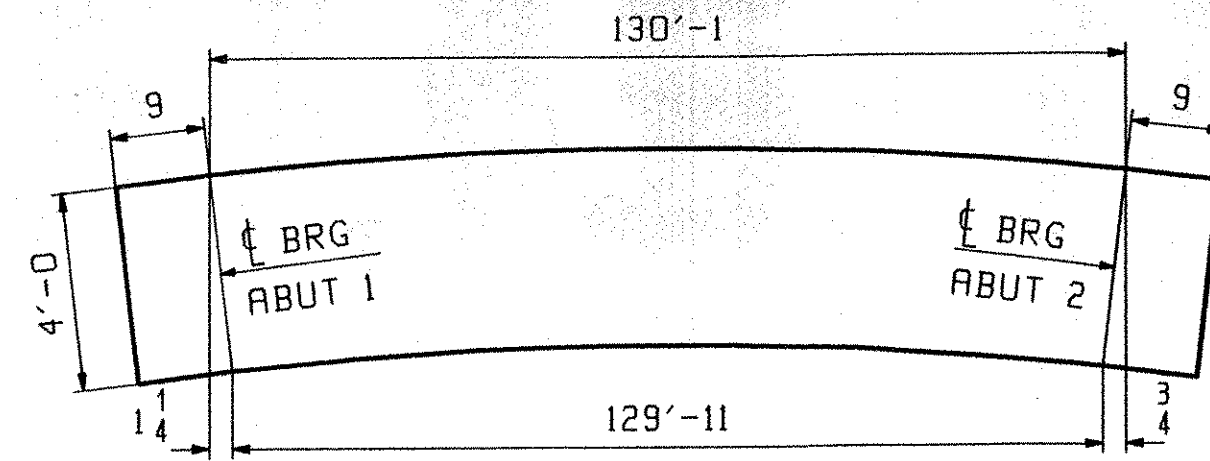
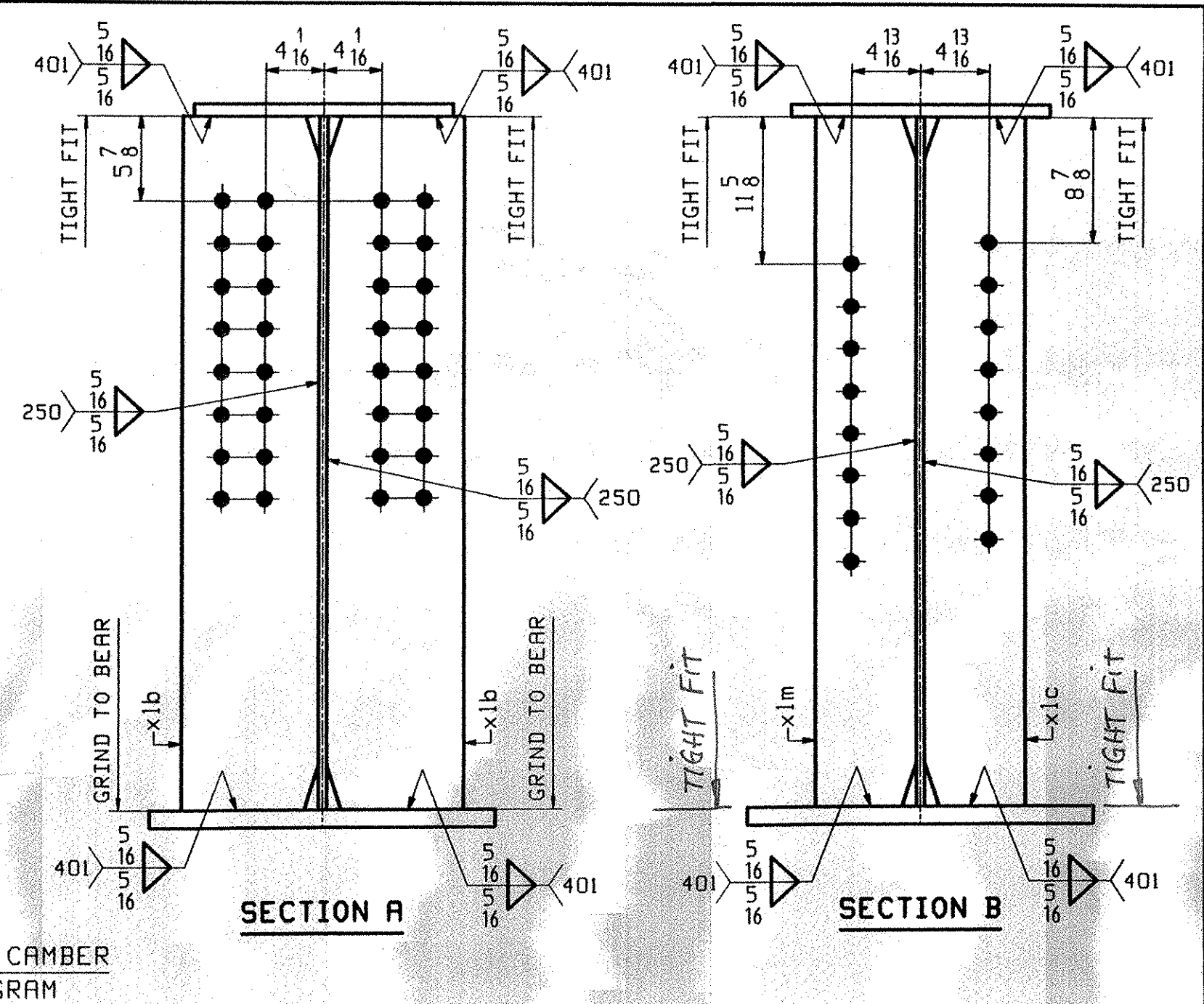
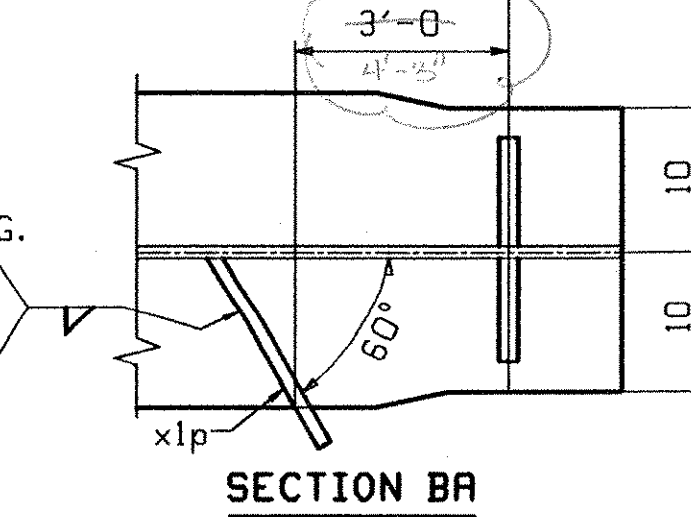
FOR GIRDER STANDARD DETAILS SEE DRAWING X1.
 FOR CAMBER & FLANGE DIAGRAMS SEE DRAWING C1.
 FOR GENERAL NOTES SEE DRAWING GNI.
 H2-3 DENOTES MATERIAL SUBJECT TO CHARPY V-NOTCH TESTING.



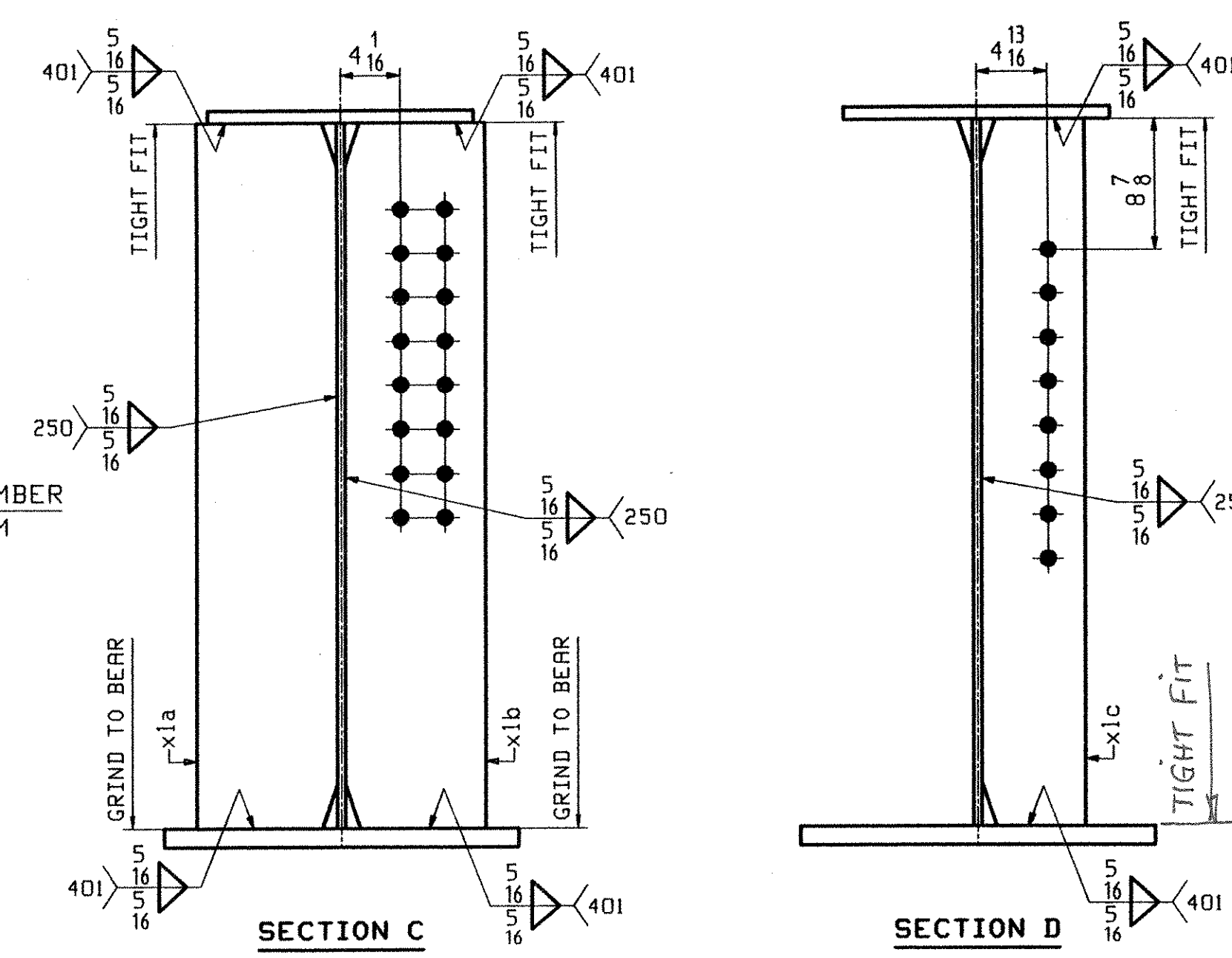
ONE - GIRDER - 3G6

FOR GIRDER STANDARD DETAILS SEE DRAWING X1.
 FOR CAMBER & FLANGE DIAGRAMS SEE DRAWING C1.
 FOR GENERAL NOTES SEE DRAWING GNI.
 H2-3 DENOTES MATERIAL SUBJECT TO CHARPY V-NOTCH TESTING.

SEAL WELD ALL AROUND
 TIGHT FIT TO FLANGE
 (TYP 401)



ORIENTATION DIAGRAM ~ 3G5 & 3G6
 SEE DRAWING C1



PAGE	LINE	MARK	QTY	MARK	MATERIAL	LENGTH		REMARKS	WT	PROCUREMENT NOTES
						FT	INCHES			
					GIRDER				41315	
1	E	1	wa		PL 9/16x48	68	5 1/4	(M270-50WT2) (H2-3)		
1	G	1	wb		PL 9/16x48	63	0 1/4	(M270-50WT2) (H2-3)		
1	L	1	ta		PL 7/8x18	26	9 1/2			
1	J	1	tb		PL 1 1/2x18	78	0			
1	L	1	tc		PL 7/8x18	26	9 1/2			
1	C	1	ba		PL 1 1/4x24	26	8 1/2	(M270-50WT2) (H2-3)		
1	A	1	bb		PL 2x24	78	0	(M270-50WT2) (H2-3)		
1	C	1	bc		PL 1 1/4x24	26	8 1/2	(M270-50WT2) (H2-3)		
2	B	4	x1b		PL 1x9 1/2	4	0	MIF		
2	C	5	x1c		PL 2x7	4	0			
2	C	5	x1m		PL 1x7	4	0			
					GIRDER				41080	
1	E	1	wa		PL 9/16x48	68	5 1/4	(M270-50WT2) (H2-3)		
1	G	1	wb		PL 9/16x48	63	0 1/4	(M270-50WT2) (H2-3)		
1	L	1	ta		PL 7/8x18	26	9 1/2			
1	J	1	tb		PL 1 1/2x18	78	0			
1	L	1	tc		PL 7/8x18	26	9 1/2			
1	C	1	ba		PL 1 1/4x24	26	8 1/2	(M270-50WT2) (H2-3)		
1	A	1	bb		PL 2x24	78	0	(M270-50WT2) (H2-3)		
1	C	1	bc		PL 1 1/4x24	26	8 1/2	(M270-50WT2) (H2-3)		
2	B	2	x1a		PL 1x9 1/2	4	0	MIF		
2	B	2	x1b		PL 1x9 1/2	4	0	MIF		
2	C	5	x1c		PL 2x7	4	0			
2	D	1	x1p		PL 1 1/4x3 1/4	1	3 5/8			

RECEIVED
 NOV 12 2004
 RESUBMIT APPROVED
 BY DATE 12/17/04

OUT FOR APPROVAL	11-4-04										
OUT FOR APPROVAL											
ISSUED TO SHOP											
FIELD & OFFICE											
REV.	REMARKS	DATE	DWN	CHK	APP	Q.A.	NO.	DIA.	LGT	TYPE	WASHER
MATERIAL:	M270-50W	ELECTRODES:		HOLES:	15/16						SHOP BOLTS:
SURFACE PREP. & PAINT: SEE DRAWING GNI											
DESCRIPTION:	GIRDERS - 3G5 & 3G6									DRAWN BY	DATE
JOB:	VT ROUTE 14 BRIDGE OVER WHITE RIVER									JTB	10/12
	ROYALTON, VERMONT									CHKD BY	
	COUNTY OF WINDSOR									TJB	10/28
	CONTRACTOR: BECK & BELLUCCI, INC.									APPROV BY	
PROJ NO.	BRS-0147(5)S									Q.A.	
CUSTOMER: VERMONT DOT											
CASCO BAY STEEL STRUCTURES, INC.										JOB NO.	DRG. NO.
75 SPRING HILL ROAD					SACO, MAINE 04072					250	3
PHONE (207) 282-7360					FAX. (207) 282-1179					REV.	