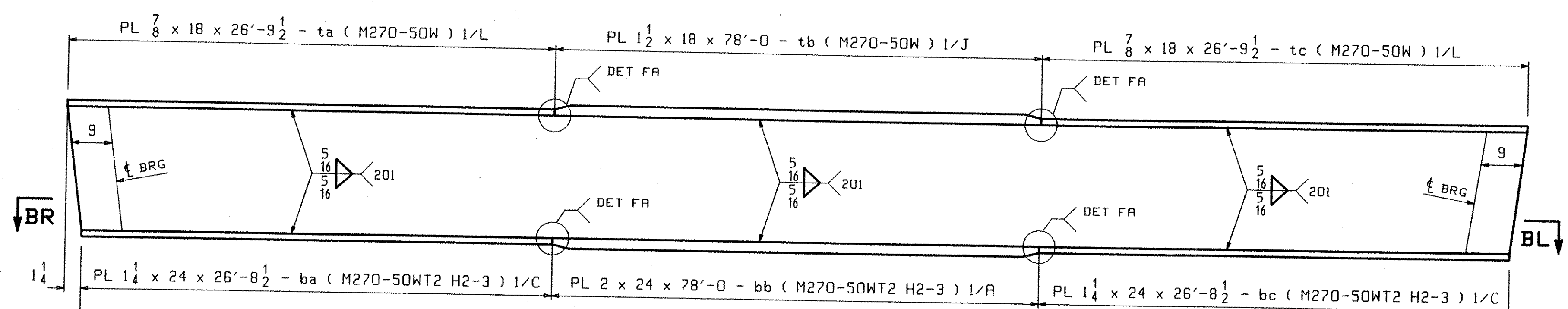
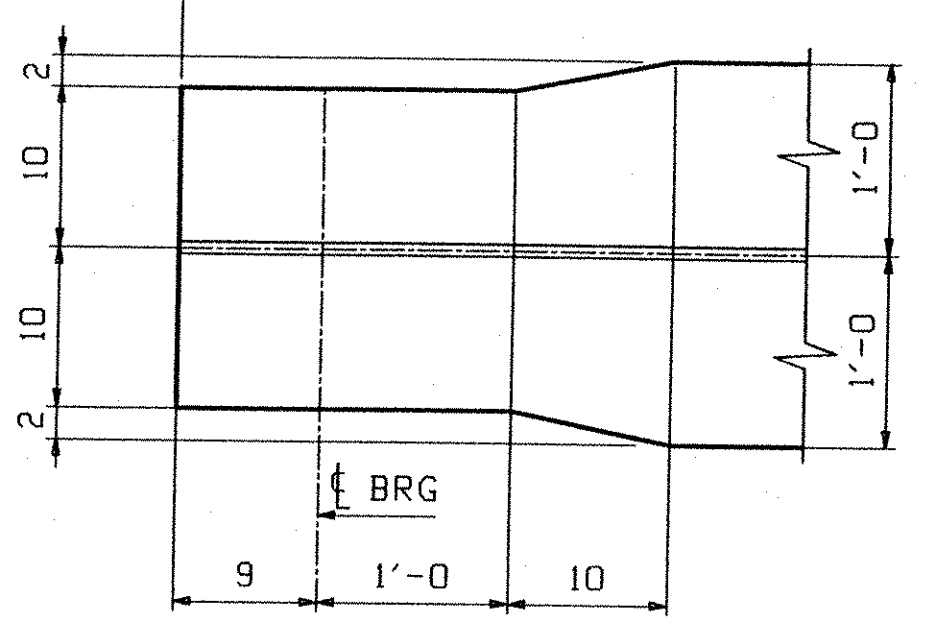


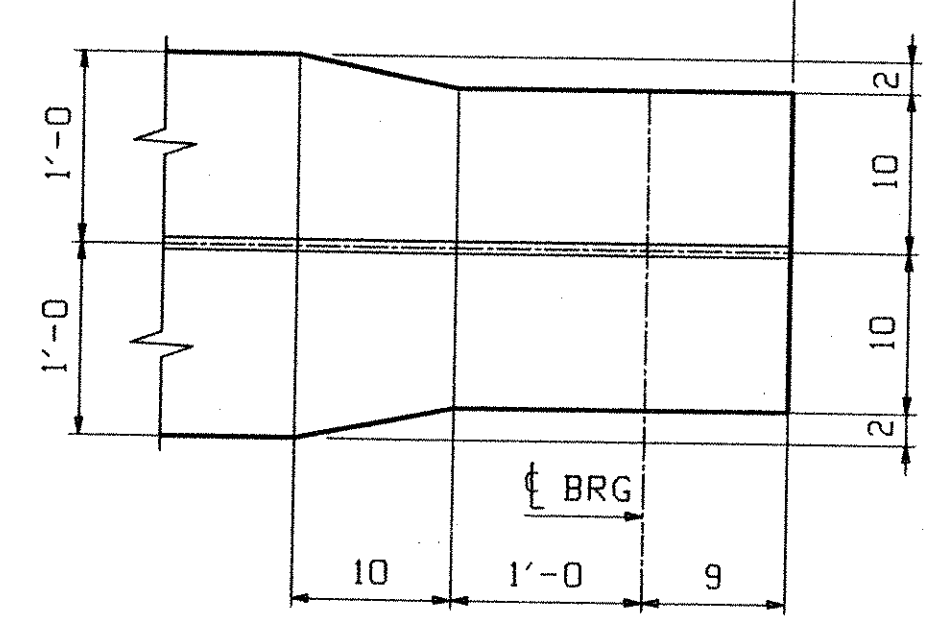
CAMBER DIAGRAM FOR IGI THRU 3G6



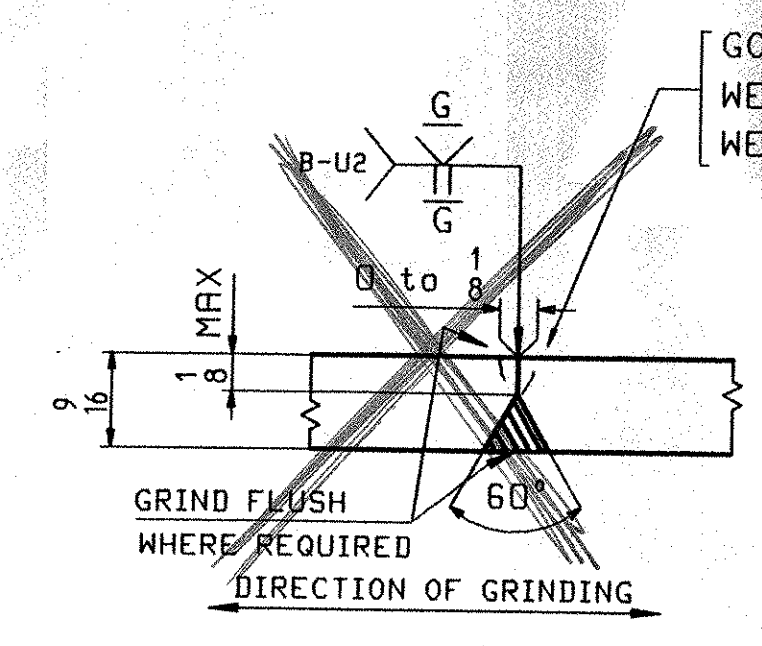
FLANGE DIAGRAM FOR IGI THRU 3G6



SECTION BR

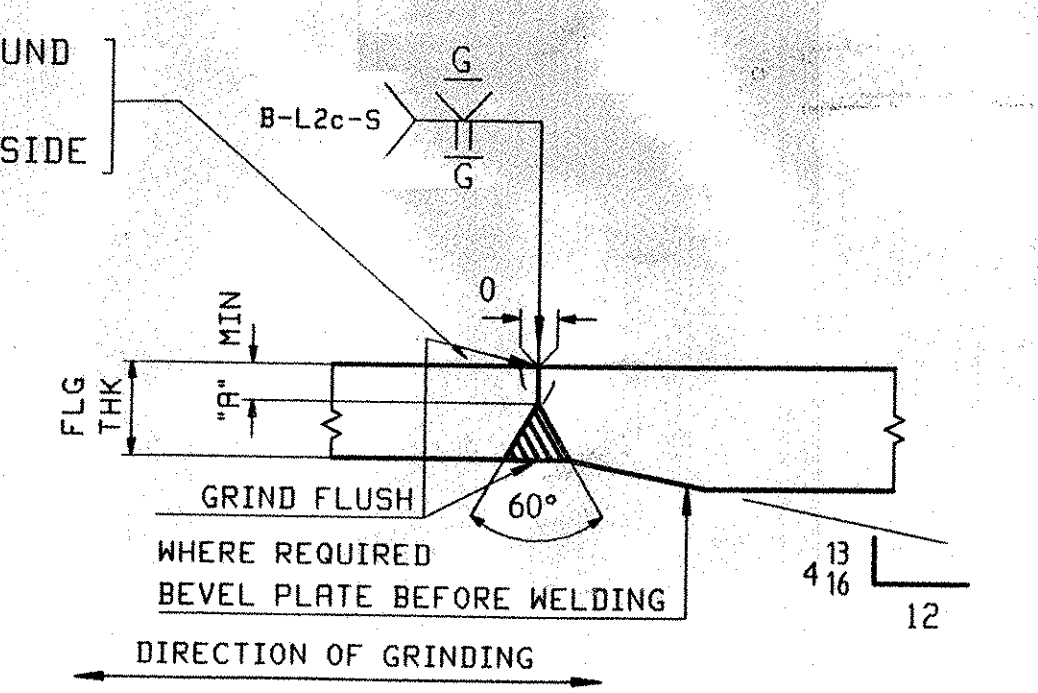


SECTION BL



WEB PLATE SPLICE DETAIL 'WA'

Use B-L2c-S Joint Detail
or B-L1a-S Joint Detail



FLANGE PLATE SPLICE DETAIL 'FA'

FLG THK	"A"
7/8	1/4
1/4	3/8

OUT FOR APPROVAL	11-4-04								
ISSUED TO SHOP									
FIELD & OFFICE									

REV.	REMARKS	DATE	DWN	CHK	APP	Q.A.	NO.	DIA.	LGT	TYPE	WASHER
	MATERIAL:										
	ELECTRODES:										
	HOLES:										
	SHOP BOLTS:										

SURFACE PREP. & PAINT:

DESCRIPTION:	CAMBER DIAGRAMS	DRAWN BY	DATE
JOB:	VT ROUTE 14 BRIDGE OVER WHITE RIVER	JTB	10/08
	ROYALTON, VERMONT	CHKD BY	
	COUNTY OF WINDSOR	TJB	10/28
	CONTRACTOR: BECK & BELLUCCI, INC.	APPROV BY	
PROJ NO.	BRS-0147(5)S	SUPERVISOR	W. J. GATTI
CUSTOMER:	VERMONT DOT	Q.A.	

CASCO BAY STEEL STRUCTURES, INC.		JOB NO.	DRG. NO.
75 SPRING HILL ROAD	SACO, MAINE 04072	250	CI
PHONE (207) 282-7360	FAX (207) 282-1179	REV.	△

NOTES:
1. FOR GENERAL NOTES AND WELD DETAILS SEE DWG. GNI.
2. H2-3 DENOTES MATERIAL SUBJECT TO CHARPY V-NOTCH TEST AT H FREQ. FOR ZONE 2

RECEIVED
NOV 12 2004
APPROVED: [Signature]
DATE: 11/13/2004