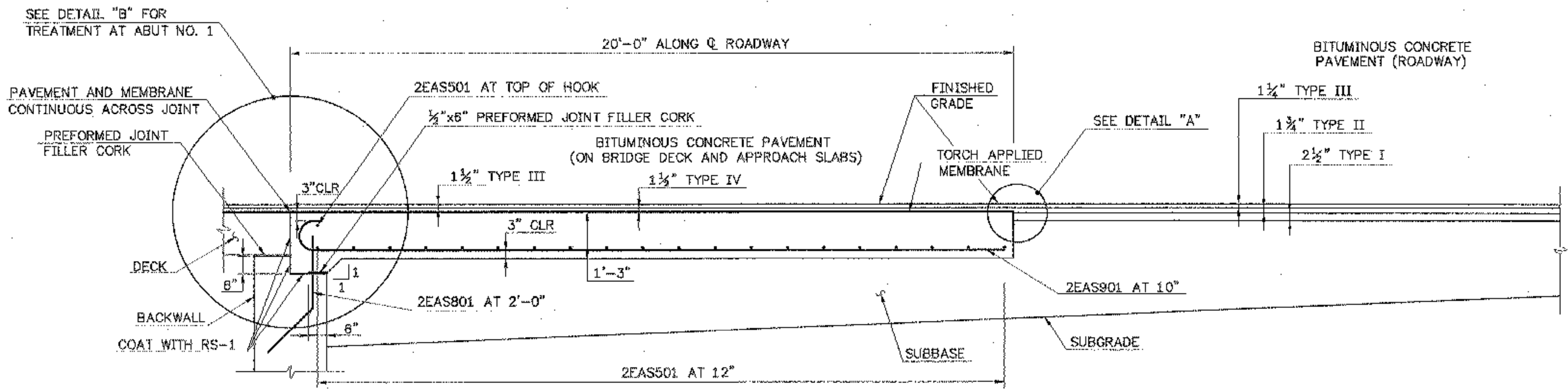
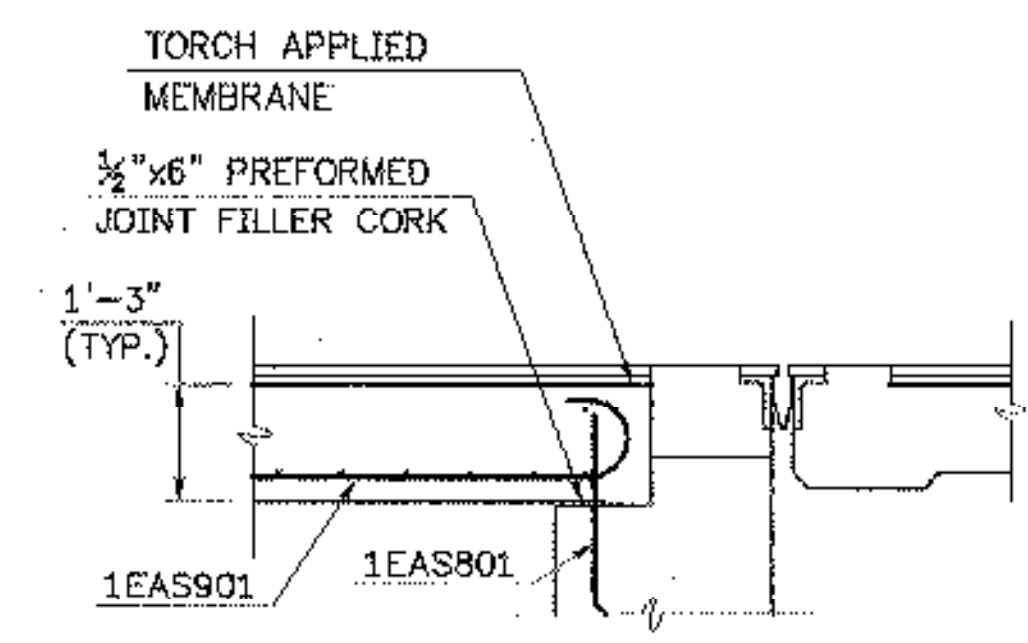


APPROACH SLAB PLAN
SCALE: 1/4" = 1'-0"

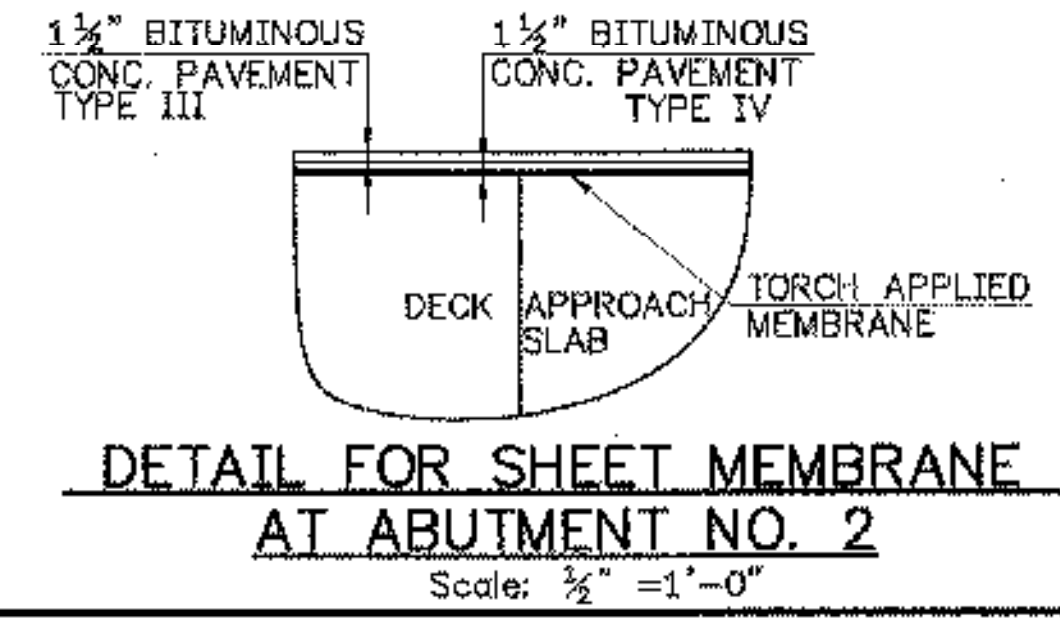
DETAIL "A"
SCALE: 1" = 1'-0"



APPROACH SLAB DETAIL
(ABUTMENT 2 SHOWN)
SCALE: 1/2" = 1'-0"



DETAIL "B" AT ABUTMENT NO 1
SCALE: 1/2" = 1'-0"



DETAIL FOR SHEET MEMBRANE AT ABUTMENT NO. 2
Scale: 1/2" = 1'-0"

STATE OF VERMONT AGENCY OF TRANSPORTATION			
Town Of	ROYALTON	Bridge No.	21
Highway No.	VT RTE 14	Log Sta.	
		Surv. Sta.	
VT RTE 14 OVER THE WHITE RIVER			
APPROACH SLAB DETAILS			
Designed By	VES	Drawn By	VES/PHL
Checked By	CLW/LMM	Date	11/00
		CLD Project Manager	LMM
		Date	11/00
PROJECT	ROYALTON	PROJECT NO.	BRS 0147(5) S
I.G.C. Info.			
Bridge Sheet No.		Sheet	59 Of 76



3/12/2000 9:00 AM