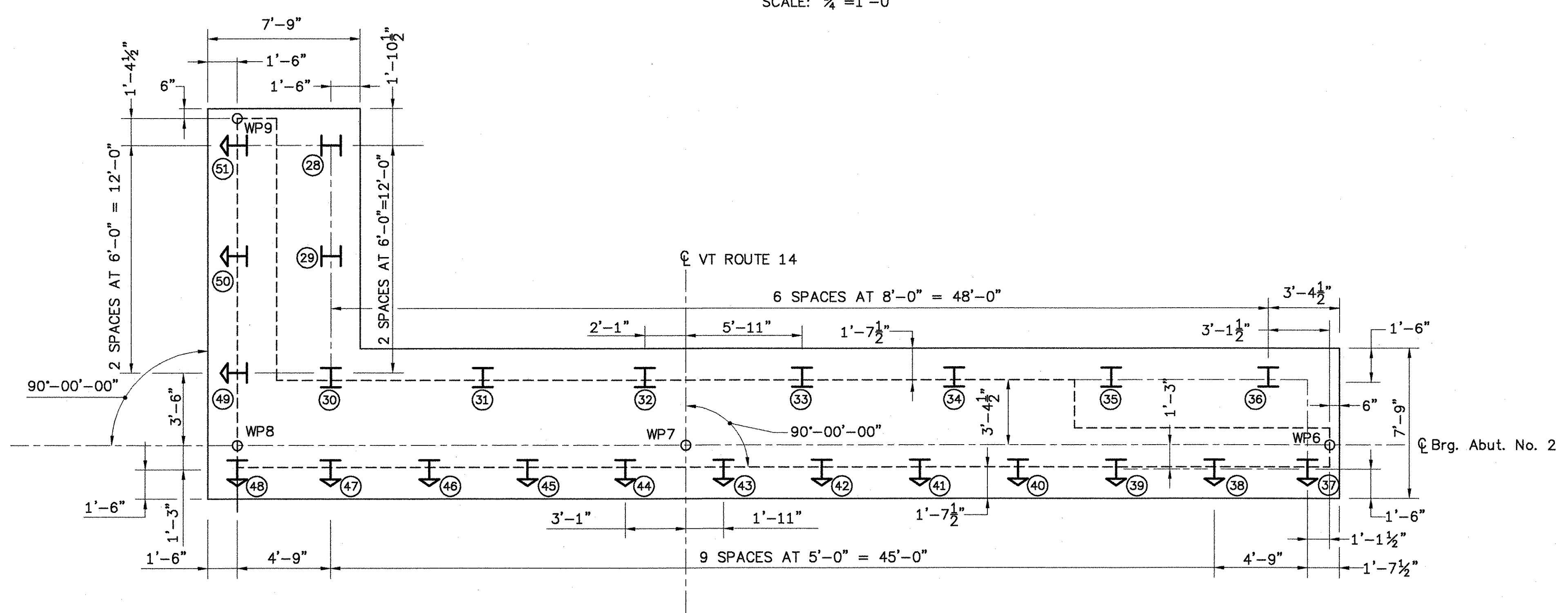
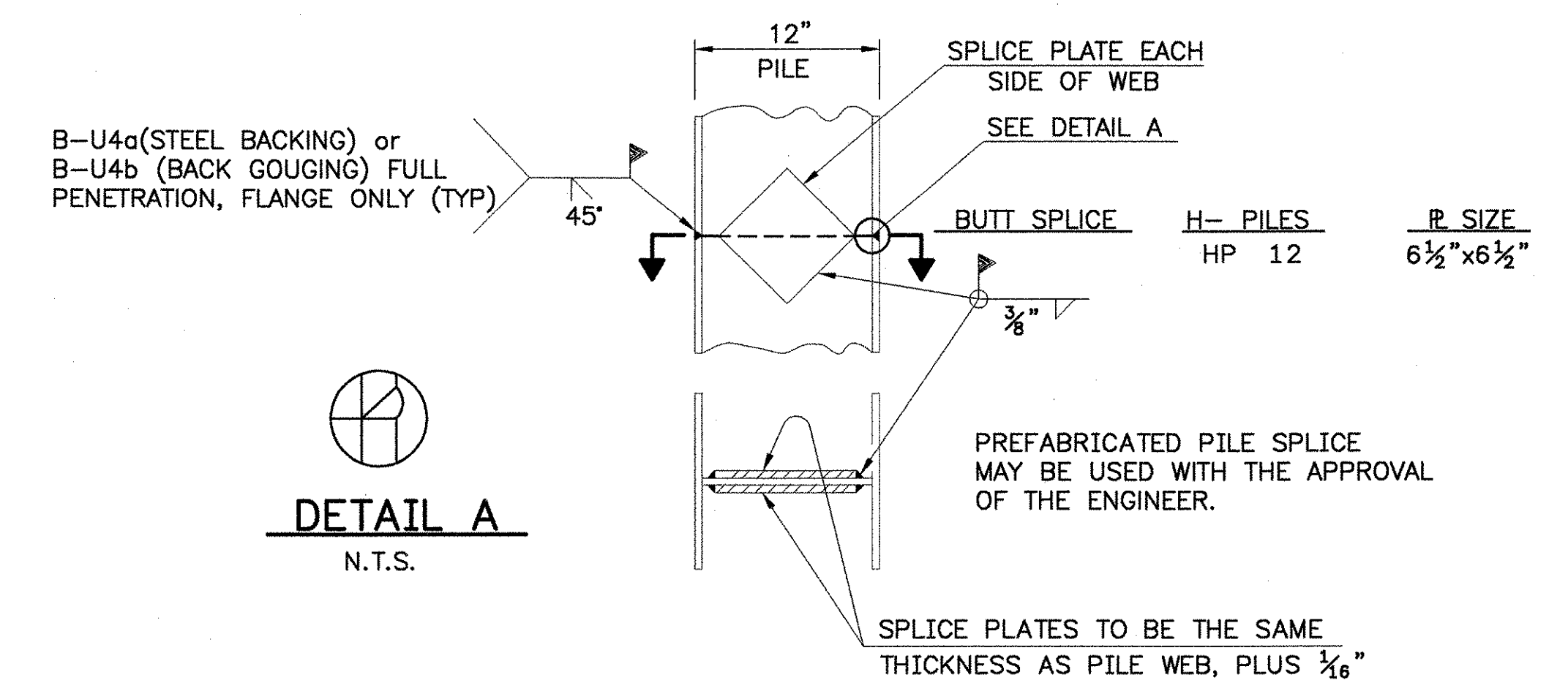


**H-PILE LAYOUT  
ABUTMENT NO. 1**  
SCALE: 1/4"=1'-0"



**H-PILE LAYOUT  
ABUTMENT NO. 2**  
SCALE: 1/4"=1'-0"



**DETAIL OF PILE SPLICE**  
N.T.S.

- PILE NOTES:**
- PILES UNDER 20 FEET SHALL NOT BE SPLICED.
  - PILE CUTOFF ELEVATION 466.00
  - SEE SHEET 37 FOR GENERAL PILE NOTES.
- ↑ INDICATES VERTICAL HP12x53 PILE DRIVEN TO ALLOWABLE LOAD PER PILE 140 KIPS.
- ↘ INDICATES PILE BATTERED 2 ON 12

<b>STATE OF VERMONT AGENCY OF TRANSPORTATION</b>		
Town Of	ROYALTON	Bridge No. 21
		Log Sta.
Highway No.	Vt. Route 14	Surv. Sta.
Vt. Route 14 over the White River		
<b>PILE LAYOUT</b>		
Designed By	AS	Drawn By. VES
Checked By	Date	Bridge Design Supervisor
CLW/LMM	11/00	LMM Date 11/00
<b>PROJECT</b>		<b>PROJECT NO.</b>
ROYALTON		BRS 0147(5) S
I.G.C. Info.		
Bridge Sheet No.	Sheet 57 Of 76	



F:\Pro\90-94\91298 Royalton\BRIDGE\Drawings\91298PIL