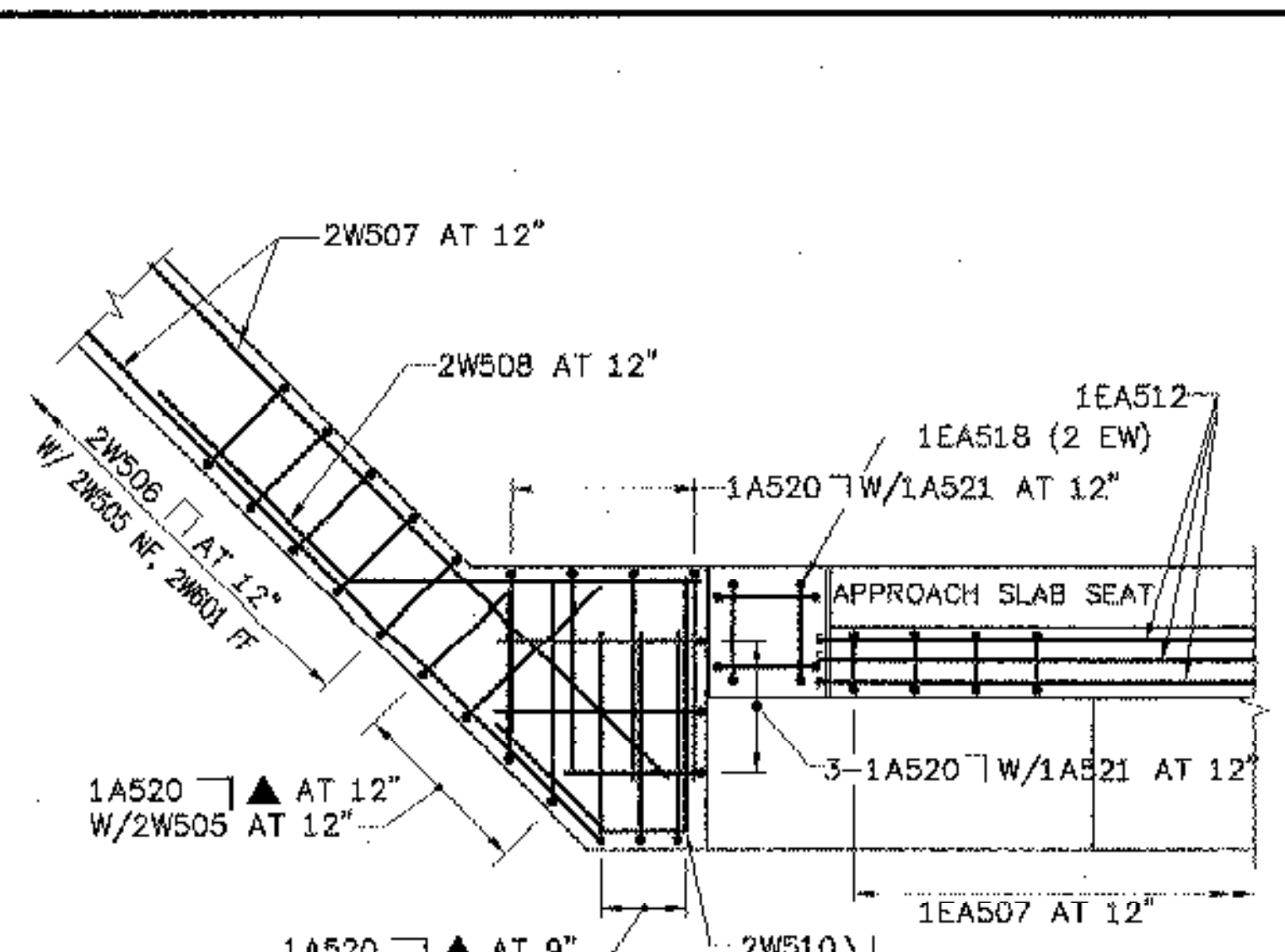
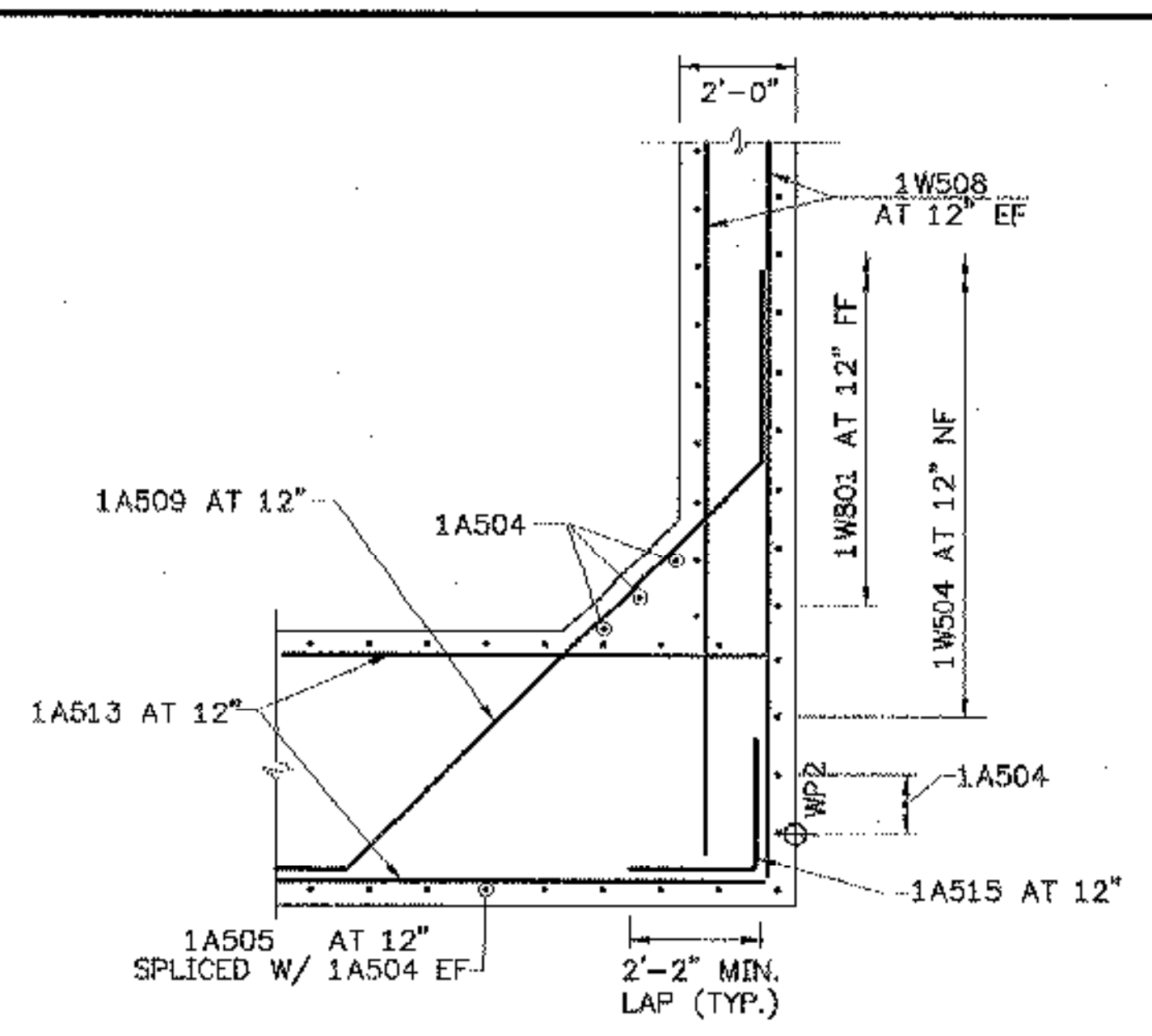


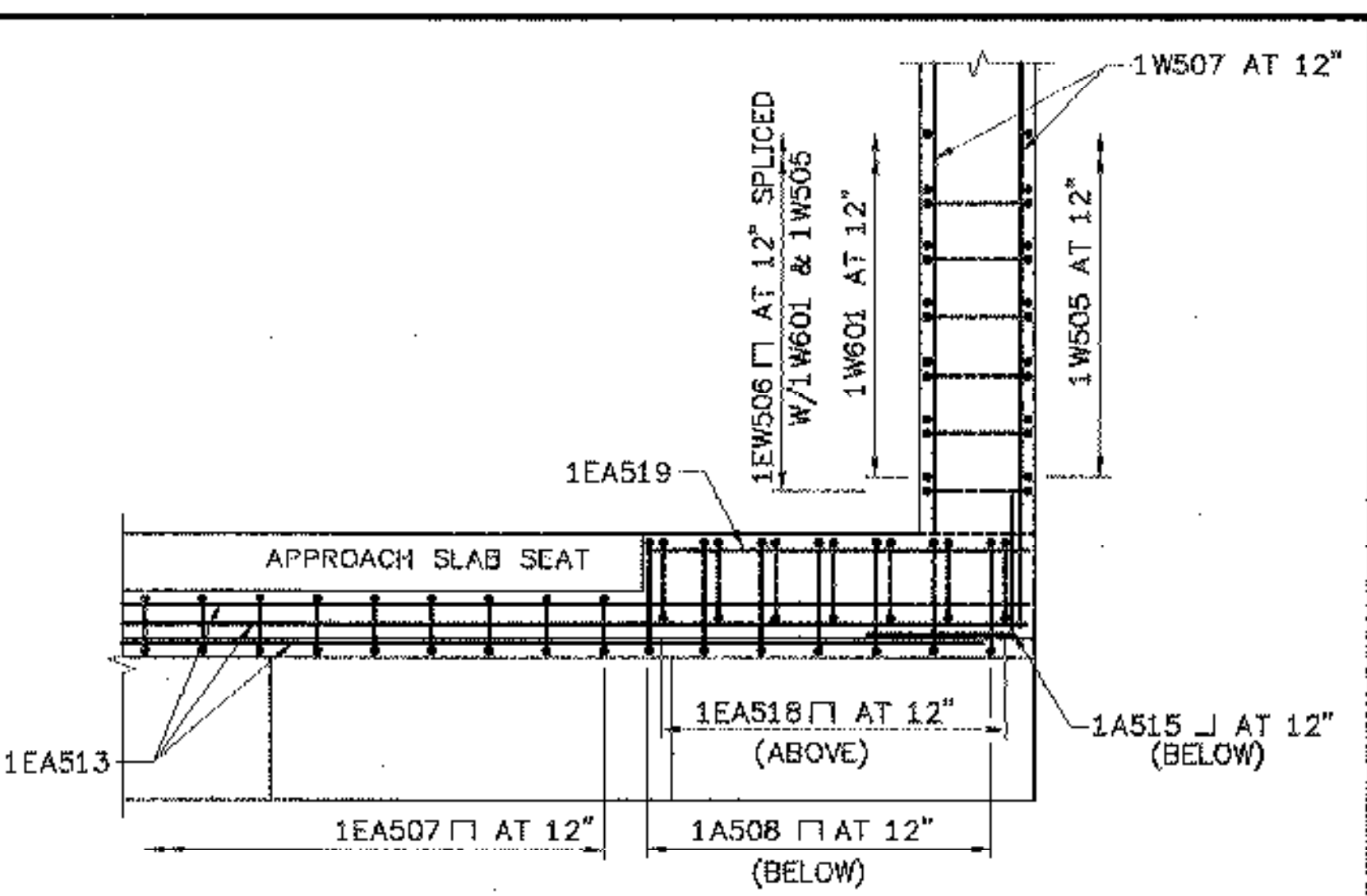
SECTION A-A
(BELOW BEAM SEAT)
(ABUTMENT NO. 1, WINGWALL NO. 2)
SCALE: 3/8"=1'-0"



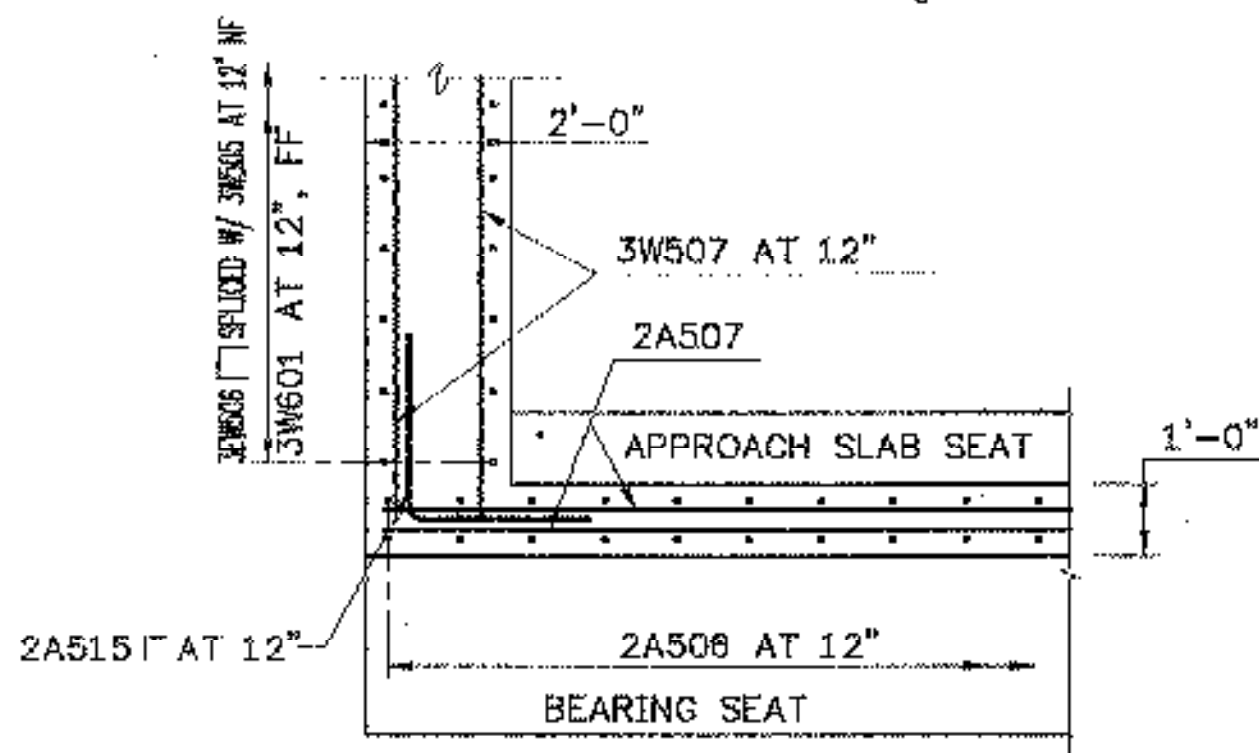
SECTION B-B
(ABOVE BEAM SEAT)
(ABUTMENT NO. 1, WINGWALL NO. 2)
SCALE: 3/8"=1'-0"



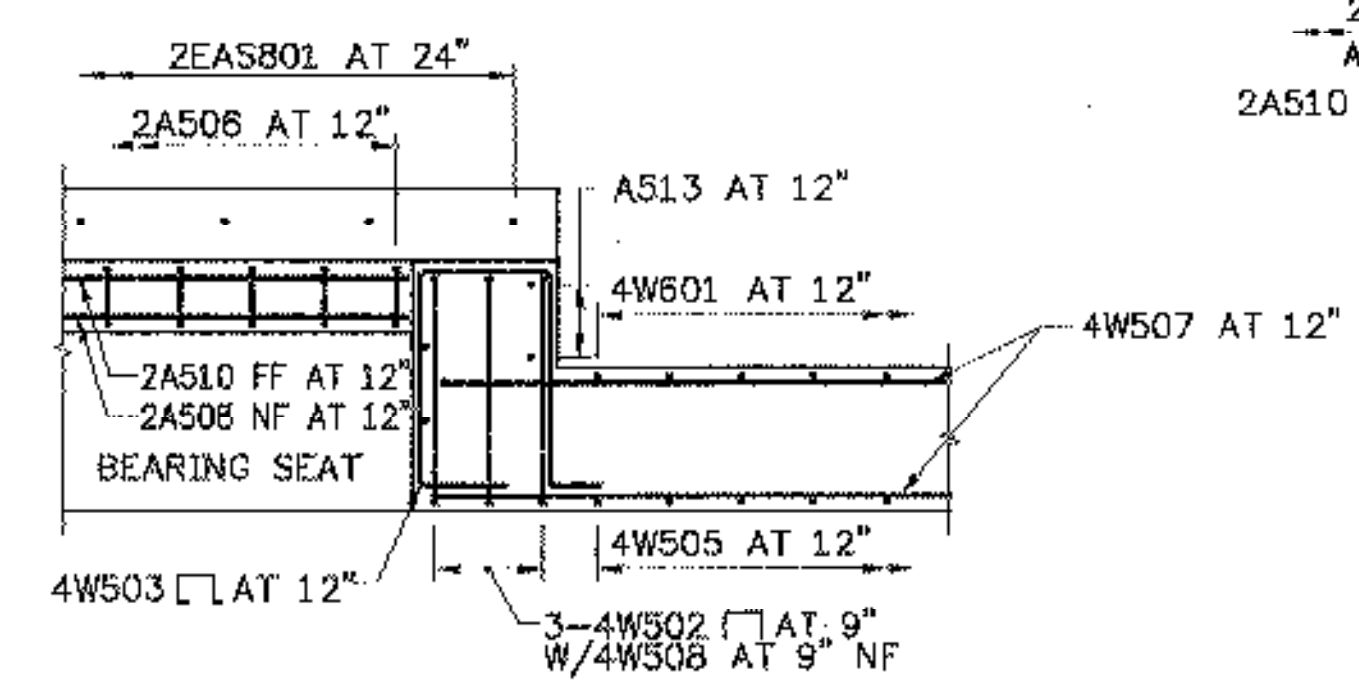
SECTION C-C
(ABUTMENT NO. 2, WINGWALL NO. 3 OPPOSITE HAND)
SCALE: 3/8"=1'-0"



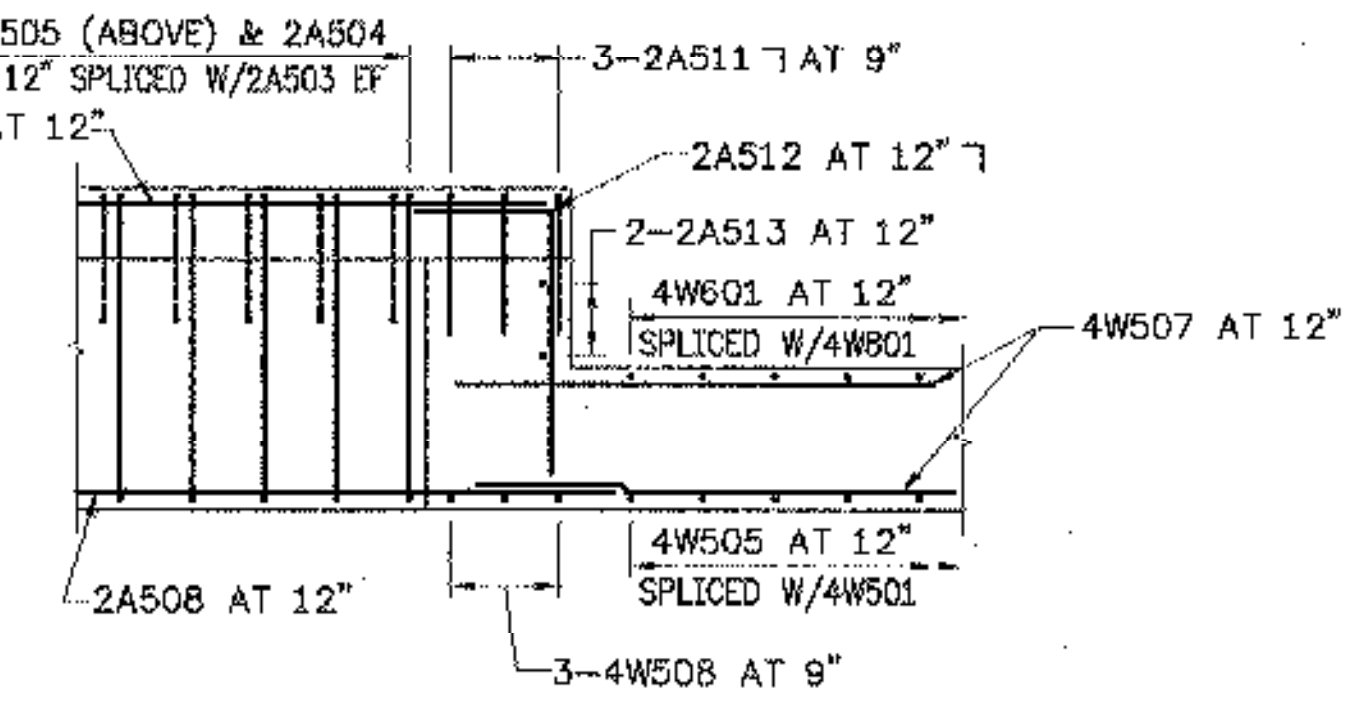
SECTION D-D
SECTION THROUGH BACKWALL
AT SIDEWALK
SCALE: 3/8"=1'-0"



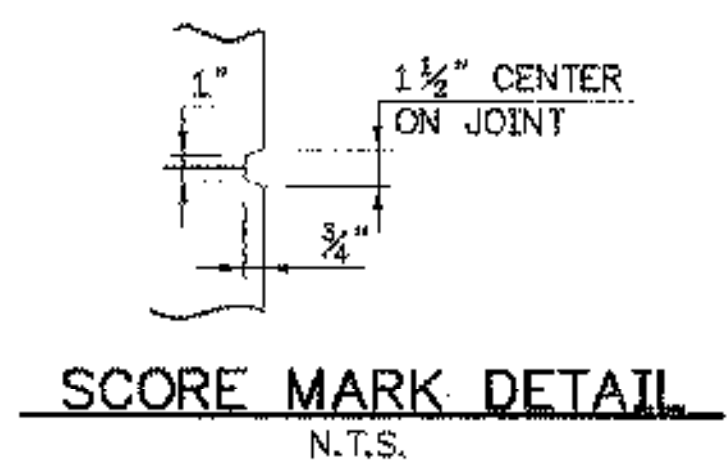
SECTION F-F
SCALE: 3/8"=1'-0"



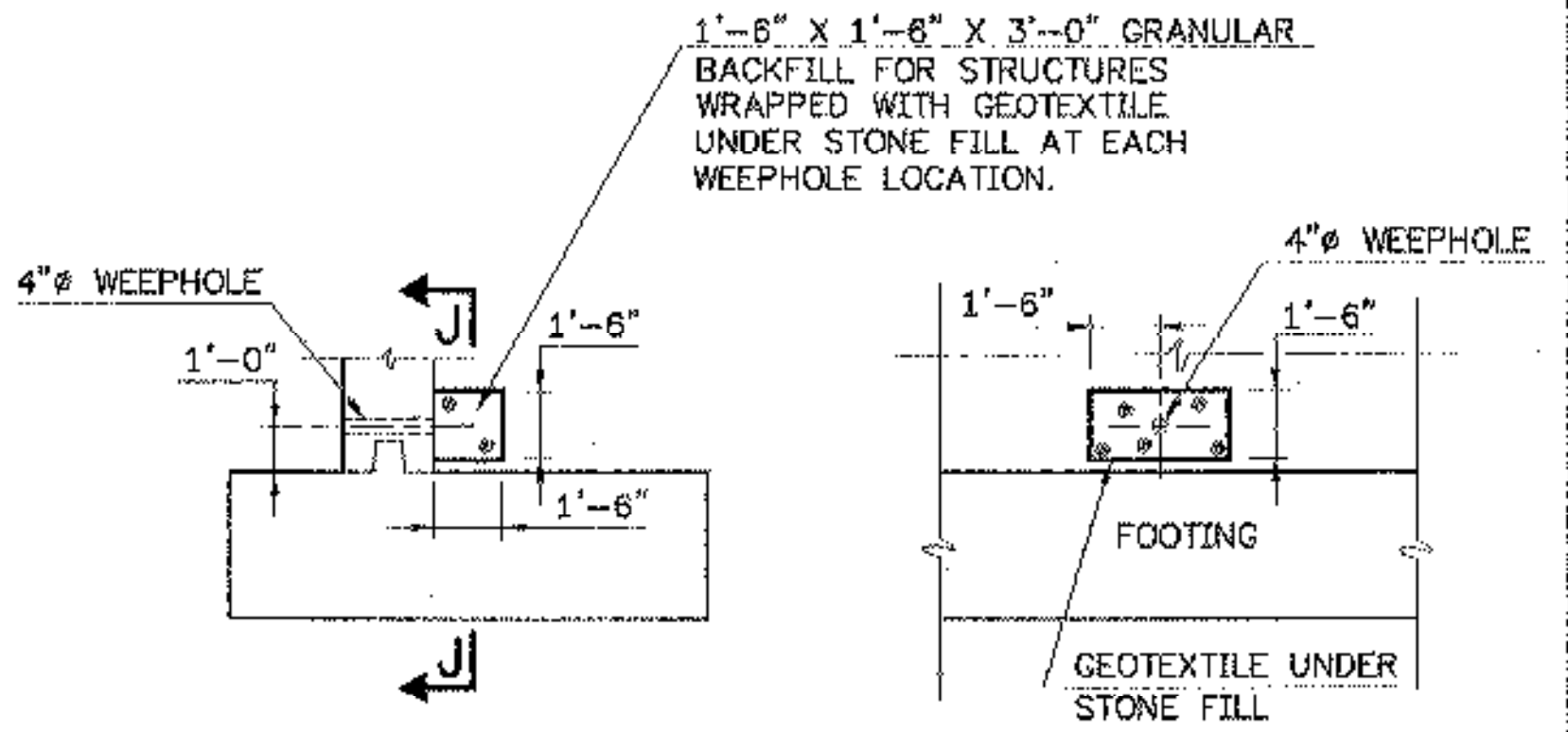
SECTION G-G
(ABUTMENT NO. 2, WINGWALL NO. 4)
SCALE: 3/8"=1'-0"



SECTION H-H
(ABUTMENT NO. 2, WINGWALL NO. 4)
SCALE: 3/8"=1'-0"

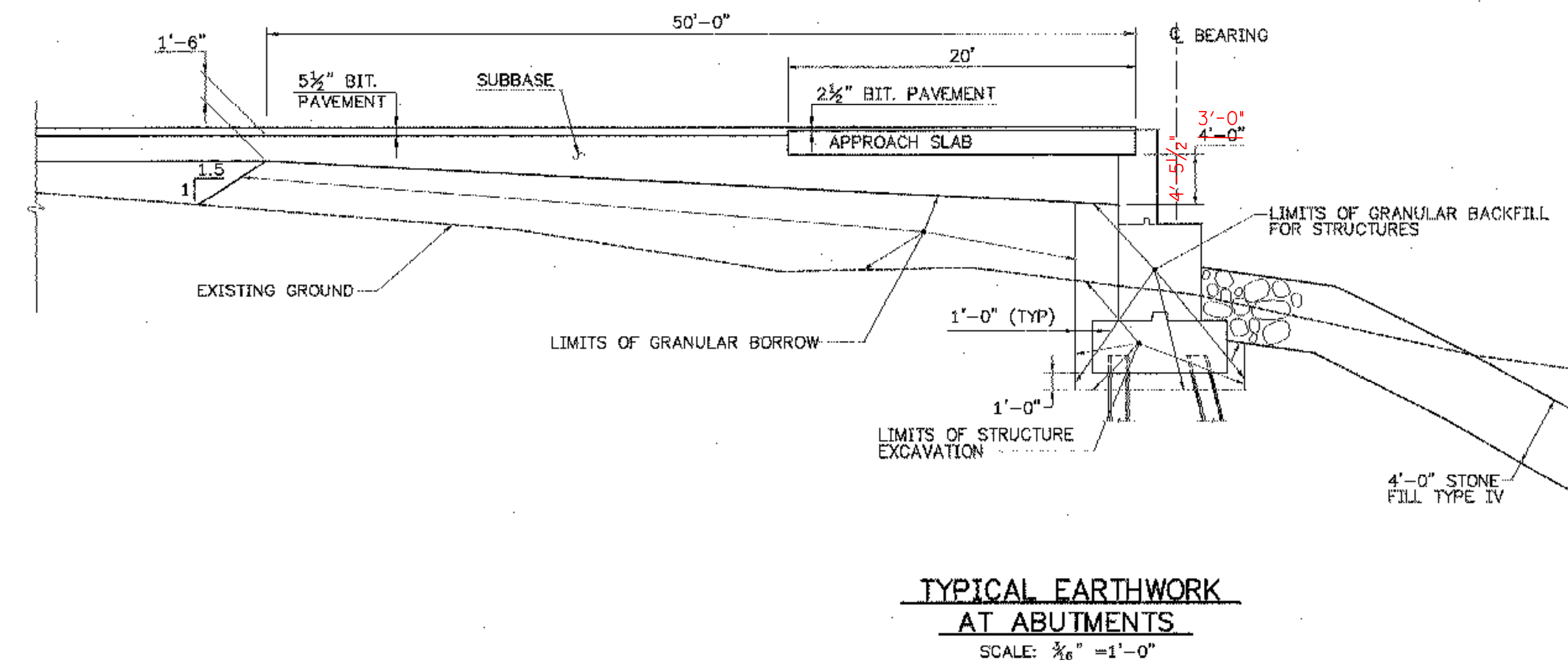


SCORE MARK DETAIL
N.T.S.

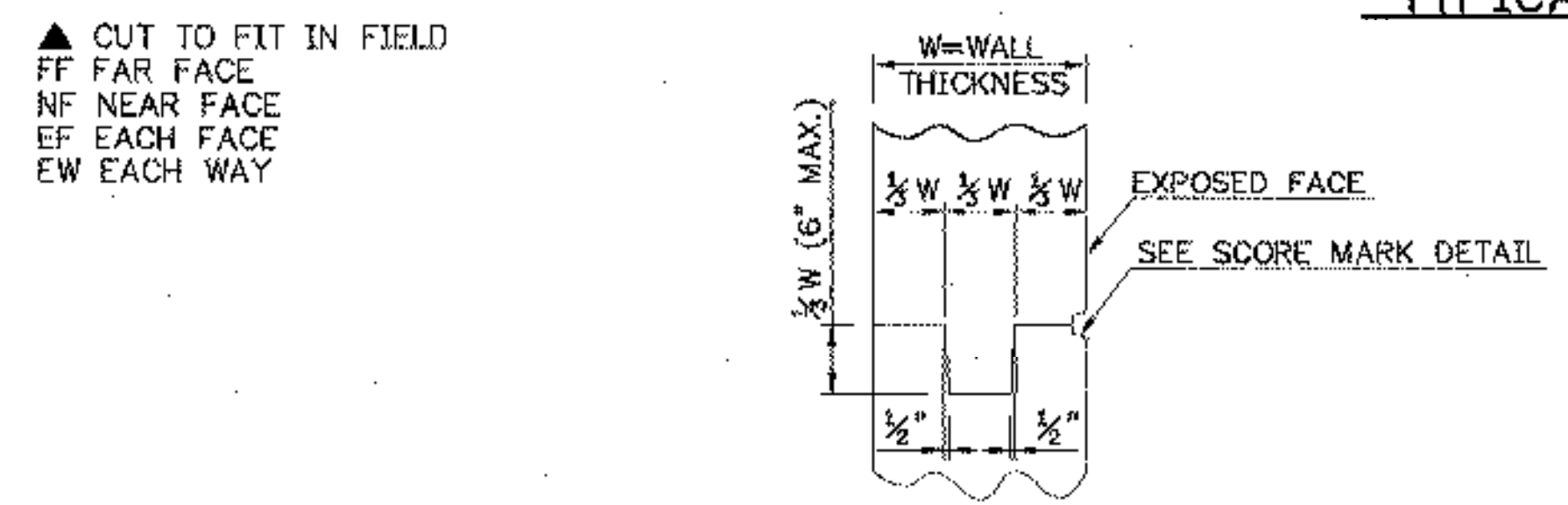


TYPICAL WEEPHOLE DETAIL
SCALE: 1/4"=1'-0"

SECTION J-J
SCALE: 1/4"=1'-0"



**TYPICAL EARTHWORK
AT ABUTMENTS**
SCALE: 3/16"=1'-0"



TYPICAL CONCRETE CONSTRUCTION JOINT
N.T.S.

NOTE:
WHERE "CONSTRUCTION JOINT" IS DESIGNATED ON THE DRAWINGS, PROVIDE A CONSTRUCTION JOINT AND SCORE MARK. WHERE "SCORE MARK" IS DESIGNATED ON THE DRAWINGS, PROVIDE A SCORE MARK WITHOUT CONSTRUCTION JOINT, FOR RUSTICATION ONLY.

*NOTE: THIS WILL BE PAID FOR UNDER THE ITEMS "GRANULAR BACKFILL FOR STRUCTURES" AND "GEOTEXTILE UNDER STONE FILL".

**STATE OF VERMONT
AGENCY OF TRANSPORTATION**

Town Of	ROYALTON	Bridge No.	21
Highway No.	VT. ROUTE 14	Log Sta.	
VT. ROUTE 14 OVER THE WHITE RIVER		Surv. Sta.	
SUBSTRUCTURE DETAIL			
Designed By	AS	Drawn By	KBG/PHL
Checked By	CLW/LMM	Date	11/00
PROJECT		Bridge Design Supervisor	LMM
ROYALTON		Date	11/00
PROJECT NO.		BRS 0147(5) S	
I.G.C. Info.			
Bridge Sheet No.		Sheet 56 Of 76	

